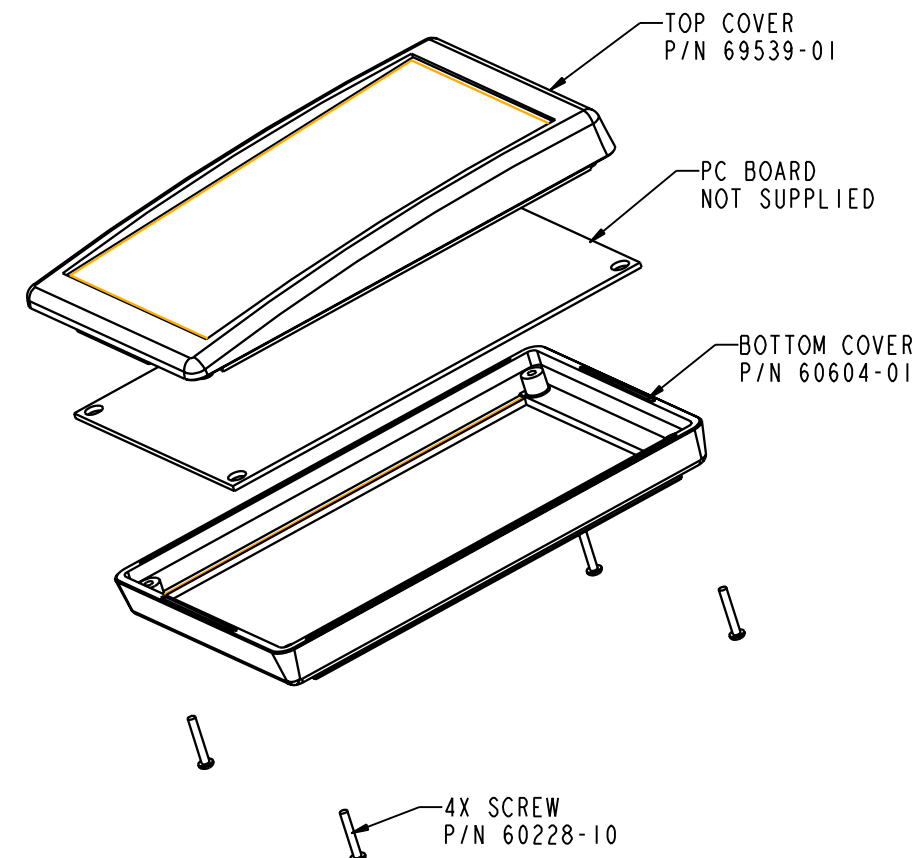
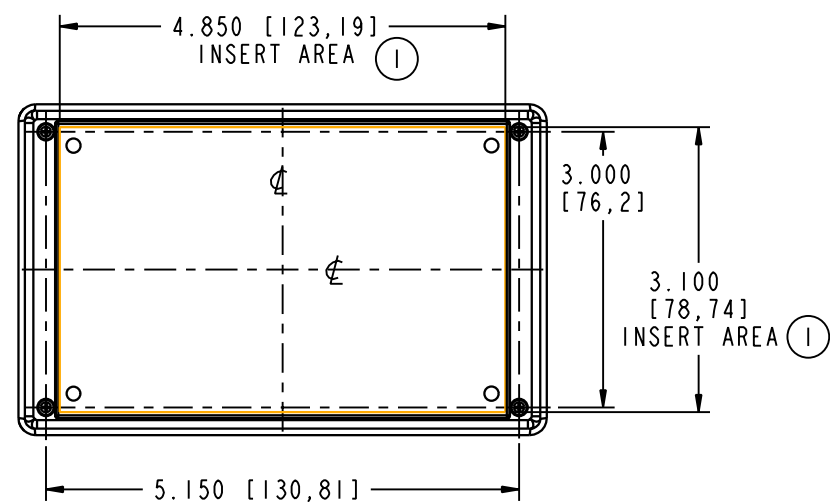
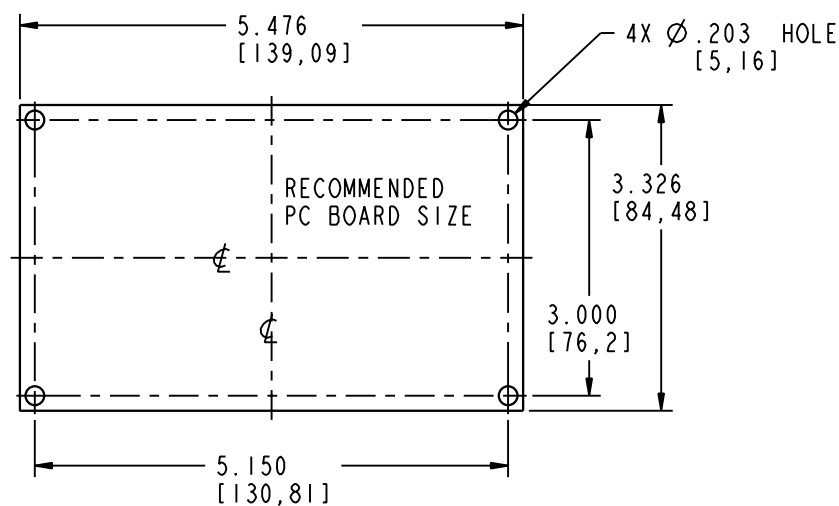
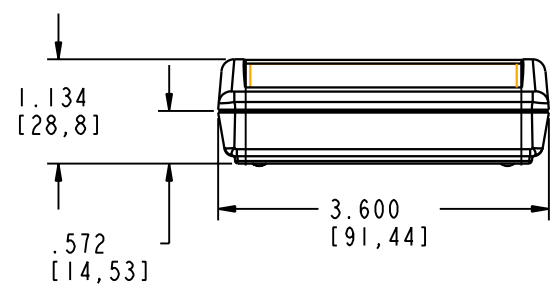
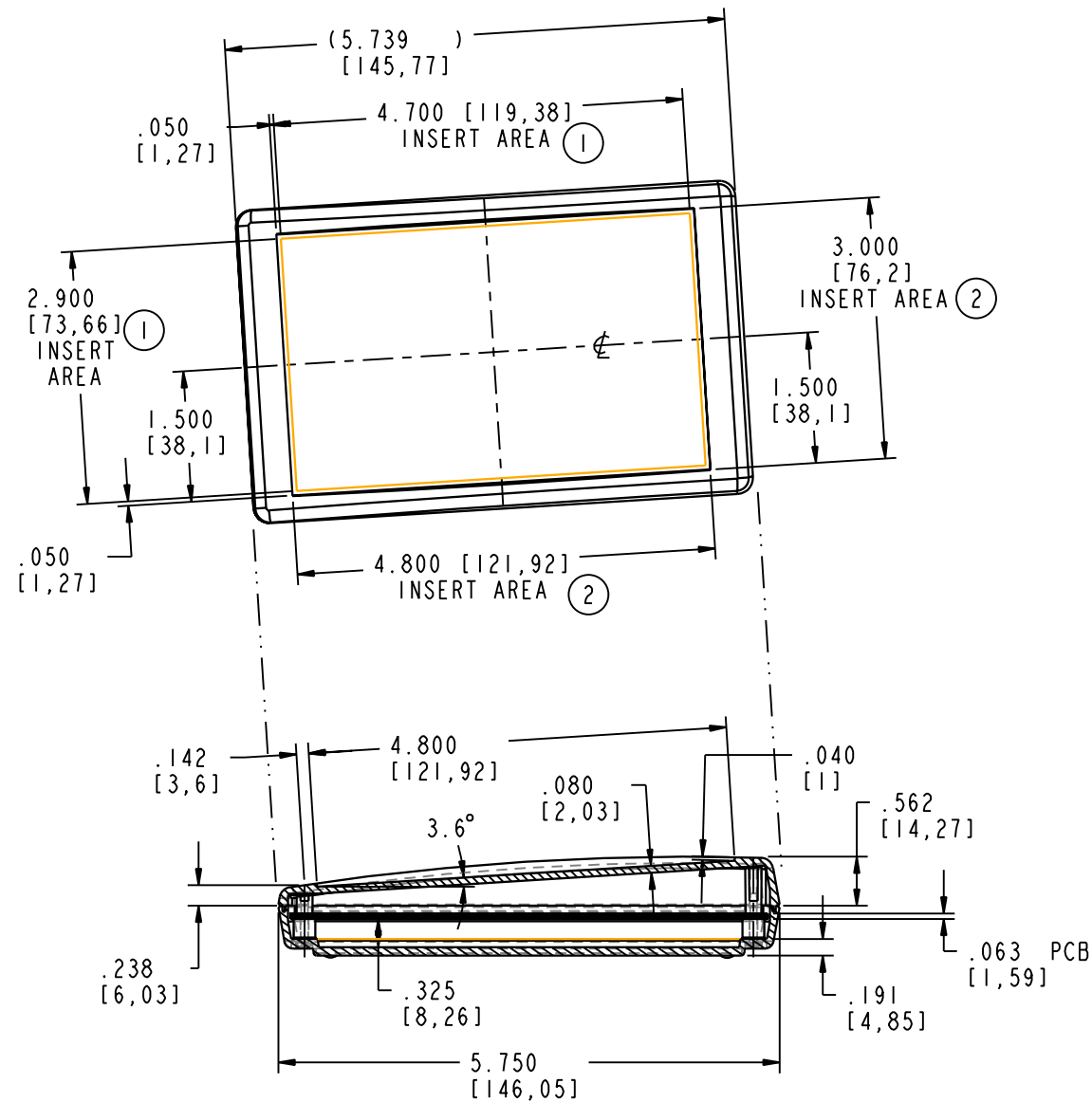


INTERIOR VIEW OF
BOTTOM COVER



NOTES

- ① EXTERIOR INSERT AREA FOR IN MOLD MODIFICATION.
- ② INTERIOR INSERT AREA FOR IN MOLD MODIFICATION.

PACNTEC[®]
1-610-361-4231

SH

VISIT **PACNTEC**[®]
ON THE WORLD WIDE WEB
www.pactecenclosures.com

COLOR / MATERIAL CODE		
COLOR	94HB	94VO
BLACK	000	028
P. C. BONE	039	060

DRAWING NUMBER	REV
79767	D