

6020

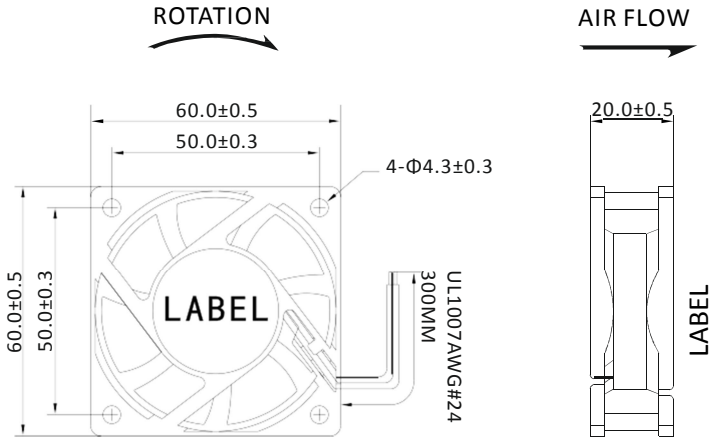
60x60x20MM

General Specifications

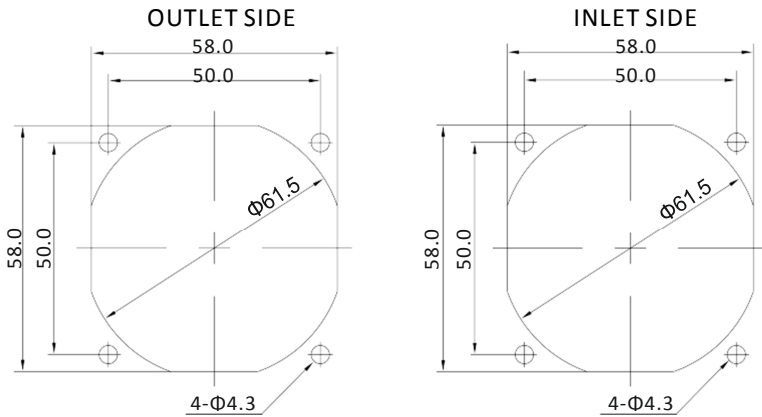
- Material..... Frame: Plastic (UL94V-0)  
Impeller: Plastic(UL94V-0)  
Lead Wire: UL1007AWG#24 or Equivalent (+)Red, (-)Black
- Expected Life..... Ball Bearing 50.000hrs(40°C)  
Sleeve Bearing 30.000hrs(40°C)
- Temperature Range.. Operating temperature -10°C~+70°C(Non-condensing)  
Storage temperature -40°C~+70°C(Non-condensing)



Dimensions (Unit:mm)



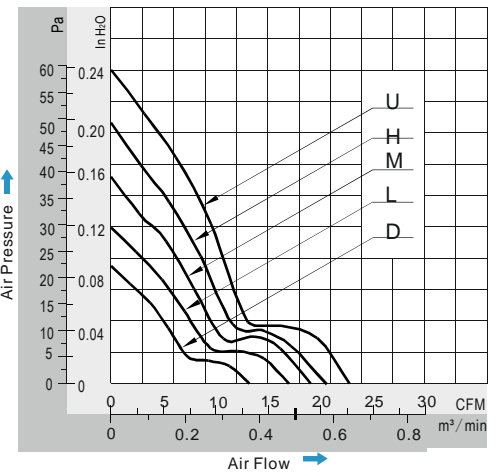
Mounting Panel Cutout (Unit:mm)



Specifications

Model	# Bearing Type	Rated Voltage	Operating Voltage	Input Current	Input Power	Speed	Max Air Flow	Max Static Pressure	Noise	Weight		
Part No.	B.S	VDC	VDC	Amp	Watt	RPM	CFM	m <sup>3</sup> /min	Inch-H <sub>2</sub> O	Pa	dB-A	g
DA06020#12U	B.S	12	7.0~13.8	0.25	3.00	5000	23.16	0.66	0.24	58.94	34.0	52.0
DA06020#12H	B.S	12	7.0~13.8	0.20	2.40	4500	21.40	0.61	0.20	48.94	31.0	52.0
DA06020#12M	B.S	12	7.0~13.8	0.16	1.92	4000	18.74	0.53	0.16	38.83	28.0	52.0
DA06020#12L	B.S	12	7.0~13.8	0.12	1.44	3500	16.38	0.46	0.12	29.52	25.0	52.0
DA06020#12D	B.S	12	7.0~13.8	0.10	1.20	3000	13.80	0.39	0.09	22.26	23.0	52.0
DA06020#24U	B.S	24	14.0~27.6	0.16	3.84	5000	23.16	0.66	0.24	58.94	34.0	52.0
DA06020#24H	B.S	24	14.0~27.6	0.14	3.36	4500	21.40	0.61	0.20	48.94	31.0	52.0
DA06020#24M	B.S	24	14.0~27.6	0.12	2.88	4000	18.74	0.53	0.16	38.83	28.0	52.0
DA06020#24L	B.S	24	14.0~27.6	0.10	2.40	3500	16.38	0.46	0.12	29.52	25.0	52.0
DA06020#48U	B.S	48	28.0~56.0	0.08	3.84	5000	23.16	0.66	0.24	58.94	34.0	52.0
DA06020#48H	B.S	48	28.0~56.0	0.07	3.36	4500	21.40	0.61	0.20	48.94	31.0	52.0
DA06020#48M	B.S	48	28.0~56.0	0.06	2.88	4000	18.74	0.53	0.16	38.83	28.0	52.0
DA06020#48L	B.S	48	28.0~56.0	0.05	2.40	3500	16.38	0.46	0.12	29.52	25.0	52.0

PQ Curve (At Rated Voltage)



Safety Standards



DC Fans Specials

