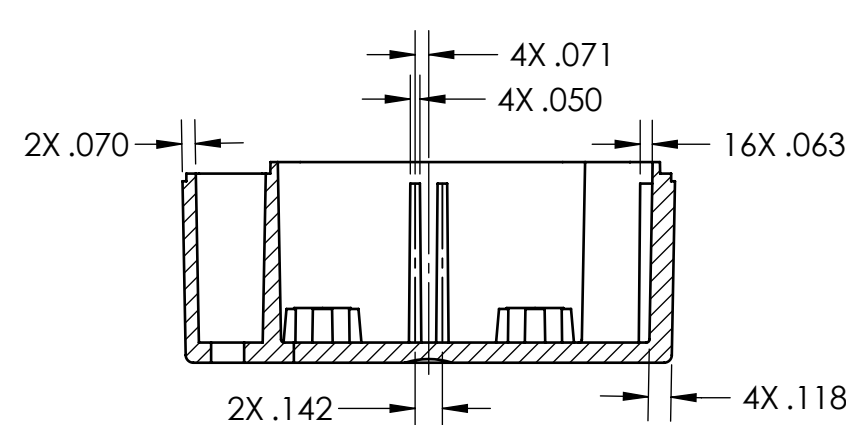
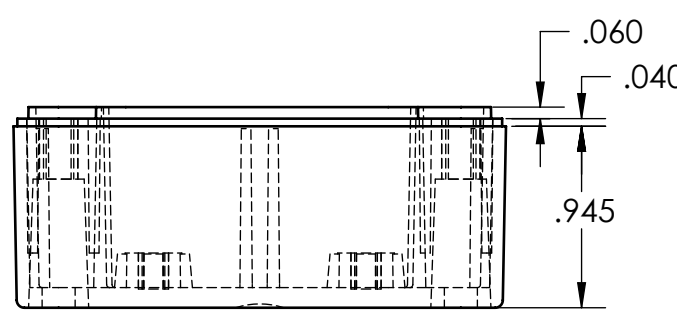
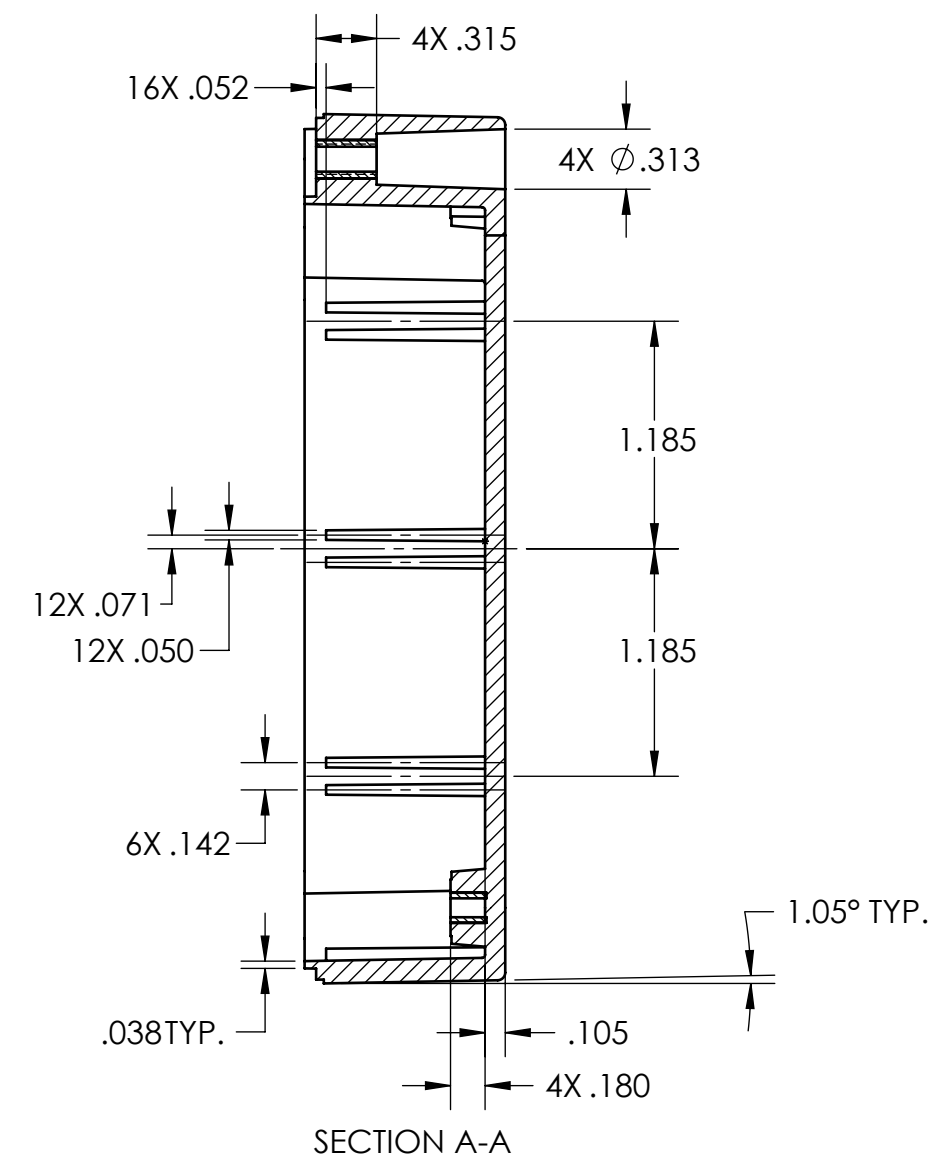
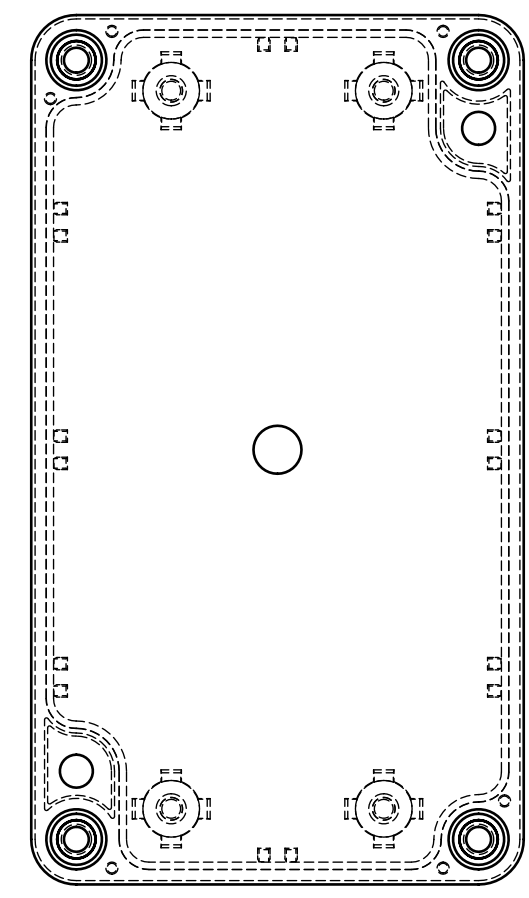


4X BRASS INSERT:  
M3X0.5 X .188 LG.

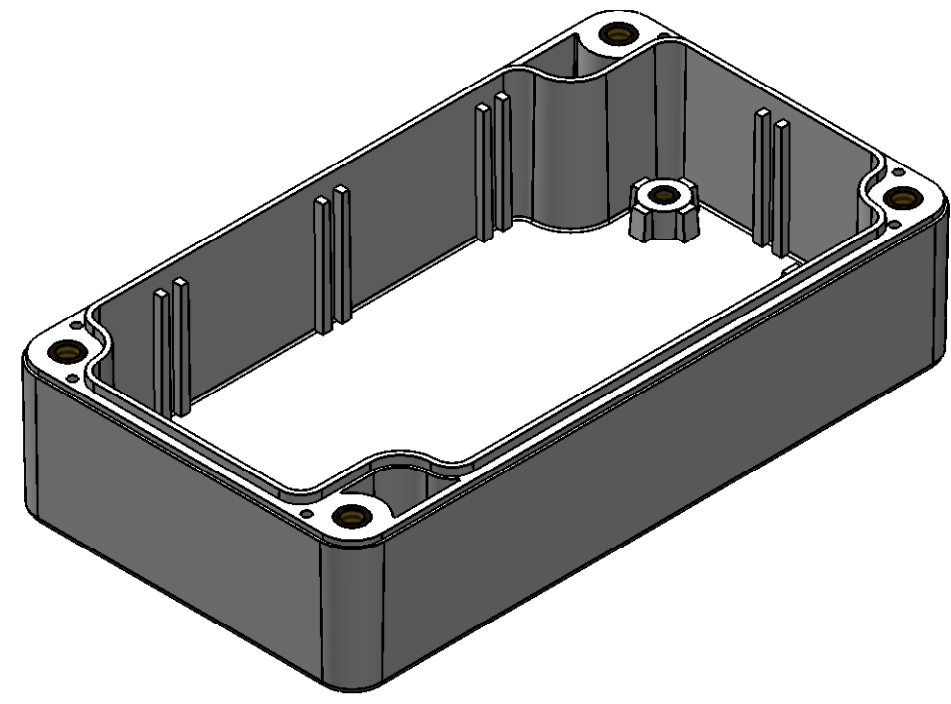
4X BRASS INSERT:  
M4X0.7 X .315 LG.



SECTION B-B



SECTION A-A



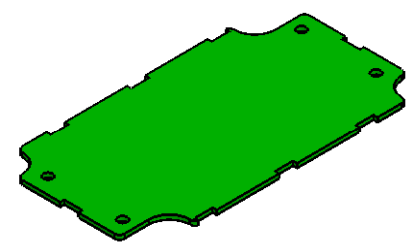
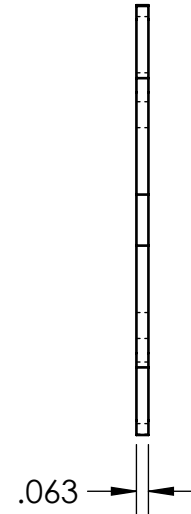
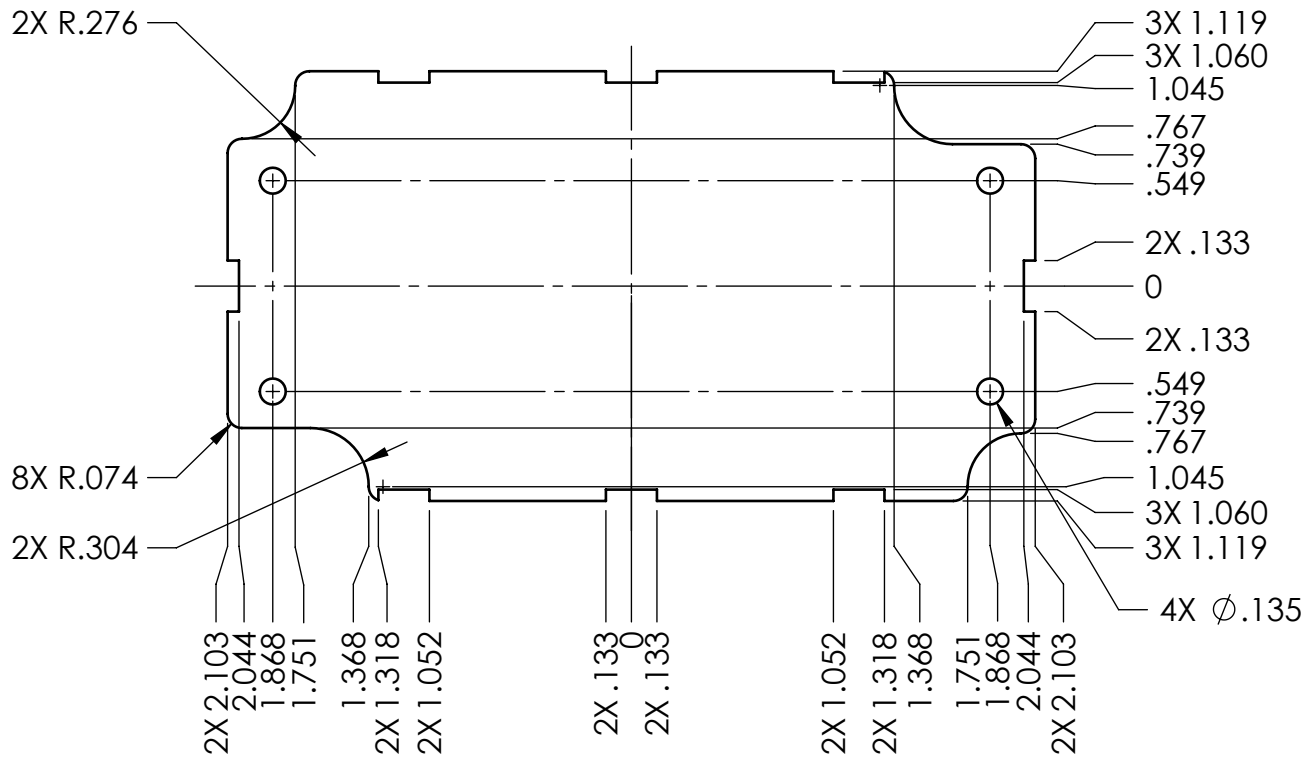
- NOTES:
- COLOR: LIGHT GRAY
  - PCB BOSSES ACCEPT A M3X0.5 X 6mm SCREW WHEN USED WITH A .063 INCH THICK PCB. SCREWS ARE AVAILABLE FROM POLYCASE.
  - MOUNTING FLANGE KITS ARE AVAILABLE FROM POLYCASE.

DIMENSION RANGE	0	.039	.118	.236	.394	.591	.866	1.181	1.575	2.087	2.756	3.543	4.724
TOOL DEPENDENT	±.007	±.007	±.008	±.008	±.009	±.010	±.011	±.012	±.013	±.015	±.017	±.020	±.024
NON-TOOL DEPENDENT	±.003	±.004	±.004	±.004	±.005	±.006	±.007	±.008	±.009	±.011	±.013	±.016	±.020


TOLERANCE CHART

REV.	DESCRIPTION	ZONE	BY	APPR'D	DATE
-01	UPDATED PROPERTIES & TITLE BLOCK		D.M.F.	D.M.F.	9/7/2011

UNLESS OTHERWISE SPECIFIED: DIMENSIONS ARE IN: INCHES[mm] TOLERANCES: ANGULAR: ±2° TWO PLACE DECIMAL: ±.030 THREE PLACE DECIMAL: ±.015 PRINTED GRAPHICS: ±.010		PART NO. WP-21B*15		 <small>1305 CHESTER RD. PARKWAY AVON, OHIO 44011-1083 U.S.A.          PH: 1-800-248-1233 440-934-0444 FAX: 440-934-0288</small>
MATERIAL POLYCARBONATE		FLAME RATING UL94-HB (UL FILE E41613)		
PROPRIETARY AND CONFIDENTIAL THE INFORMATION CONTAINED IN THIS DRAWING IS THE SOLE PROPERTY OF POLYCASE. ANY REPRODUCTION IN PART OR AS A WHOLE WITHOUT THE WRITTEN PERMISSION OF POLYCASE IS PROHIBITED. CAD FILE: WP-21B*15		DRAWN D.M.F. 4/12/2010		SIZE C
REVISIONS		CHECKED B.M.B. 6/9/2010		WP BASE, W/PCB BOSSES
		SCALE: 1:1		REV -01
				SHEET 1 OF 1



- NOTES:
1. PCB BOSSES ACCEPT A M3X0.5 X 6mm SCREW WHEN USED WITH A .063 INCH THICK PCB. SCREWS ARE AVAILABLE FROM POLYCASE.
  2. INCLUDES .031 CLEARANCE FROM INTERIOR OF WP-21B\*15.

UNLESS OTHERWISE SPECIFIED: DIMENSIONS ARE IN: INCHES[mm] TOLERANCES: ANGULAR: ±2° TWO PLACE DECIMAL: ±.010 THREE PLACE DECIMAL: ±.005 PRINTED GRAPHICS: ±.010		PART NO. WP-21B*15-PCB		 <small>1305 CHESTER IND. PARKWAY AVON, OHIO 44011-1083 U.S.A. PH#: 1-800-248-1233, 440-934-0444 FAX#: 440-934-0088</small>	
PROPRIETARY AND CONFIDENTIAL THE INFORMATION CONTAINED IN THIS DRAWING IS THE SOLE PROPERTY OF POLYCASE. ANY REPRODUCTION IN PART OR AS A WHOLE WITHOUT THE WRITTEN PERMISSION OF POLYCASE IS PROHIBITED. CAD FILE: WP-21B*15-PCB		MATERIAL			
FLAME RATING		SIZE <b>A</b>		PCB TEMPLATE FOR WP-21B*15	
REV. 1		DESCRIPTION		REV 1	
REVISIONS		SCALE: 1:1		SHEET 1 OF 1	

REV.	DESCRIPTION	ZONE	BY	APPR'D	DATE
1	Ø.135 WAS Ø.125		D.M.F.	D.M.F.	9/7/2011

