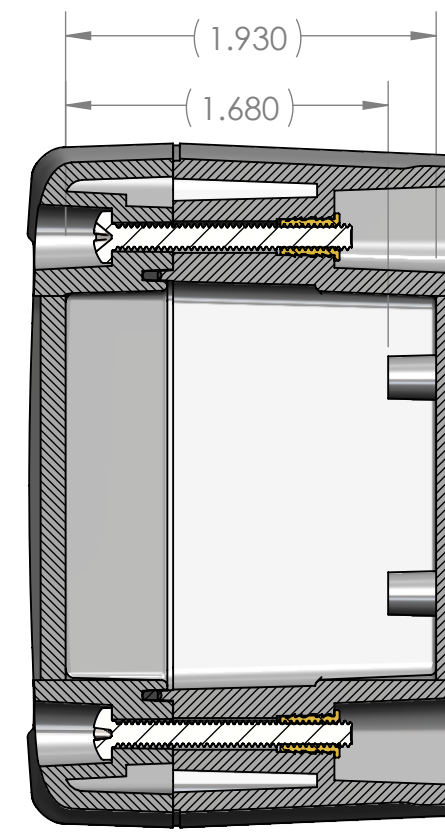
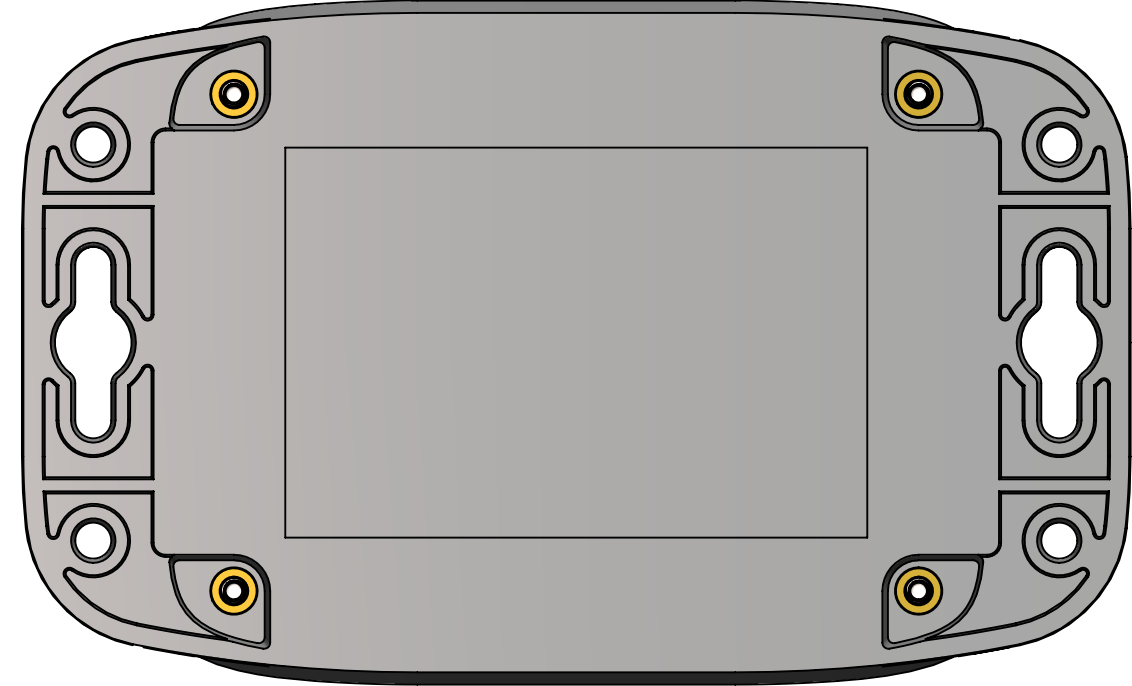
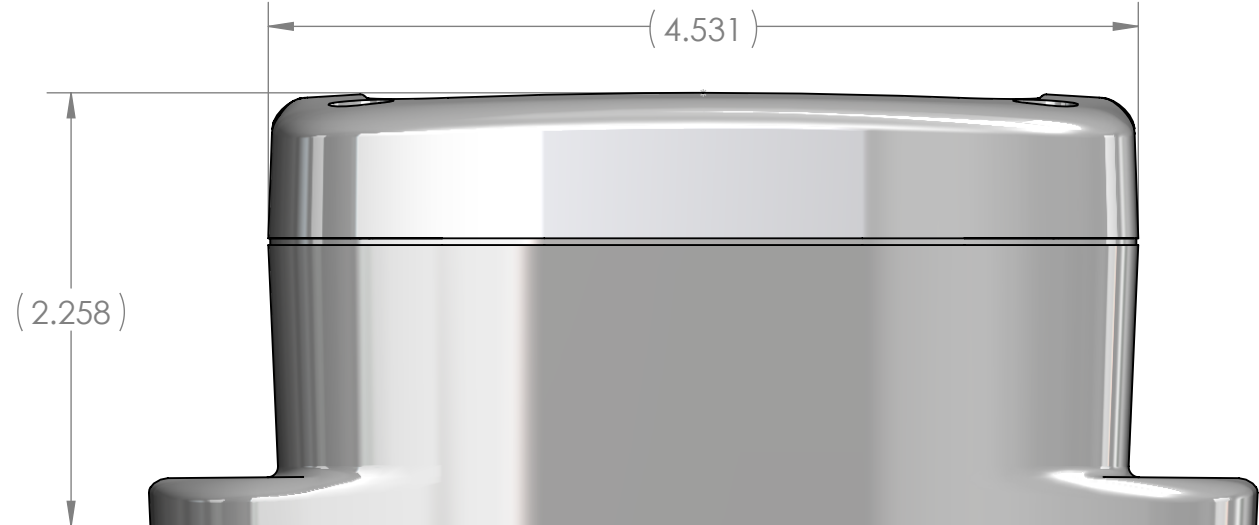
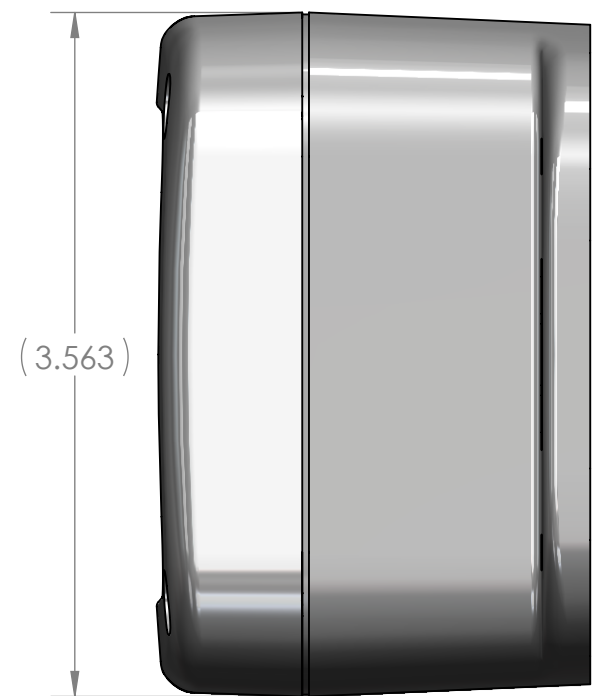
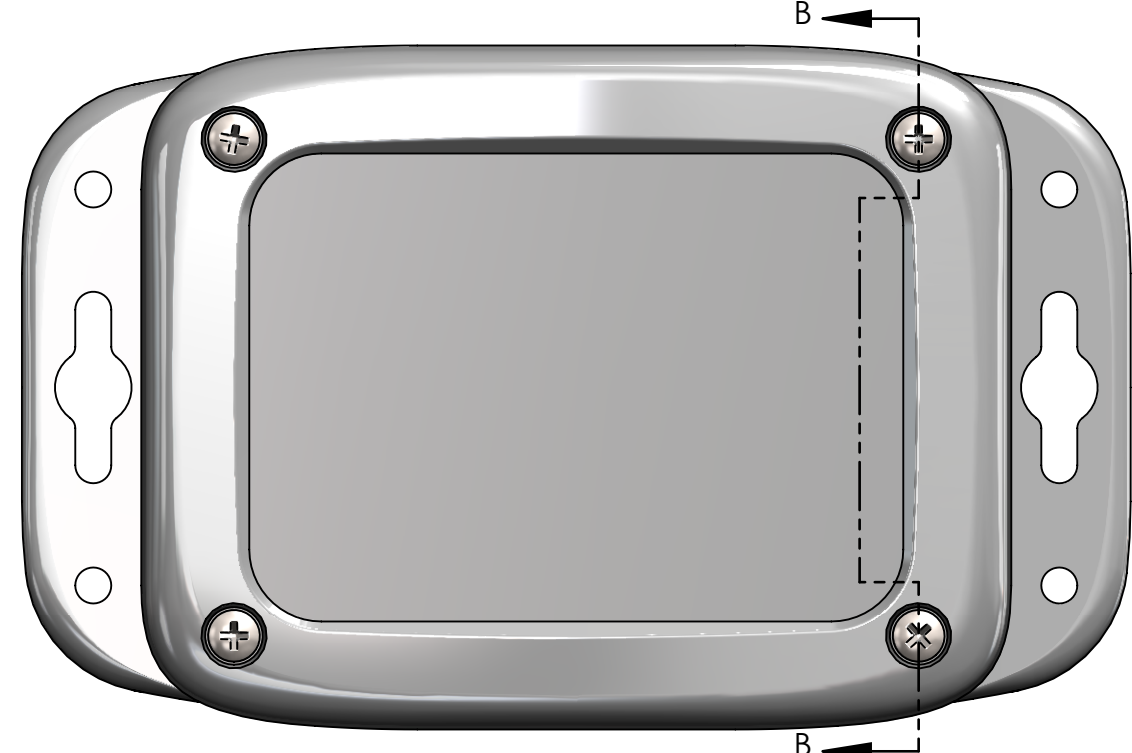
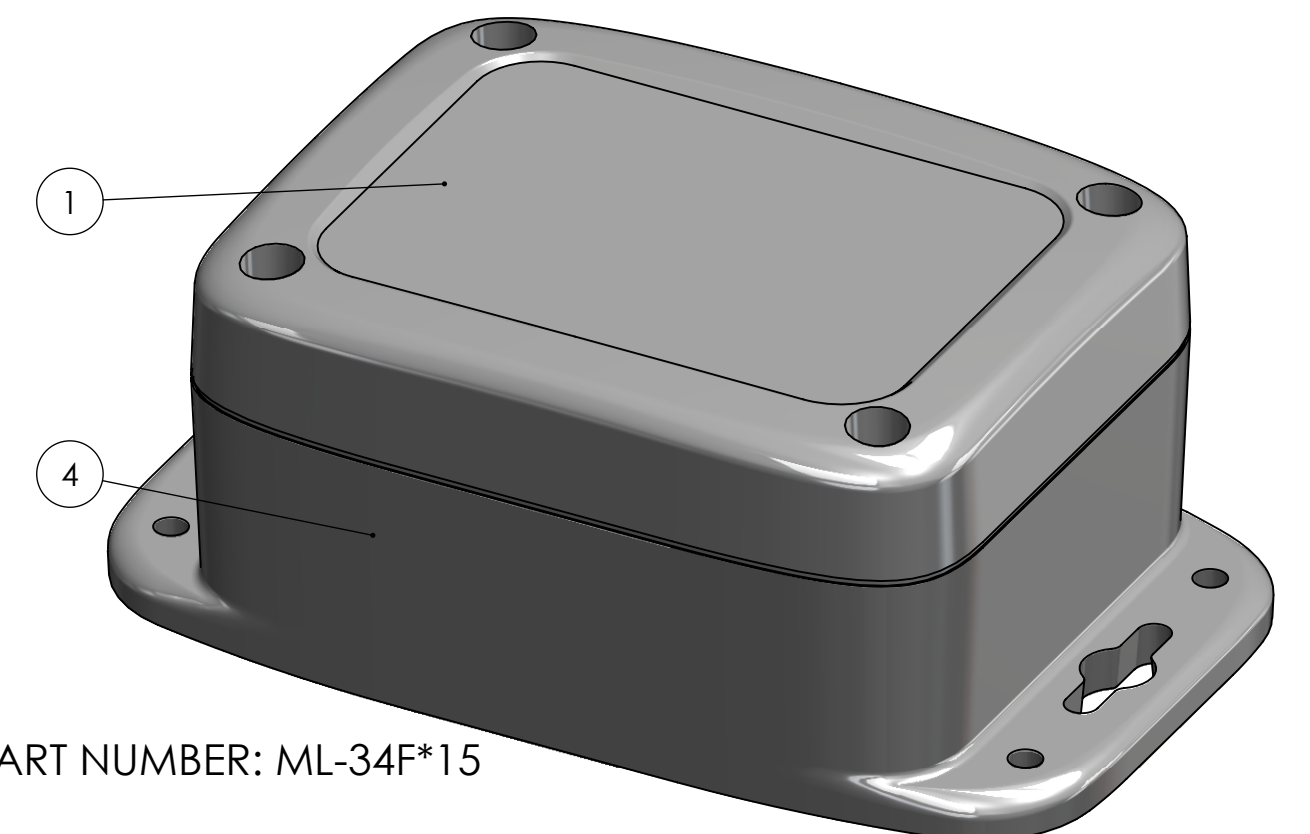


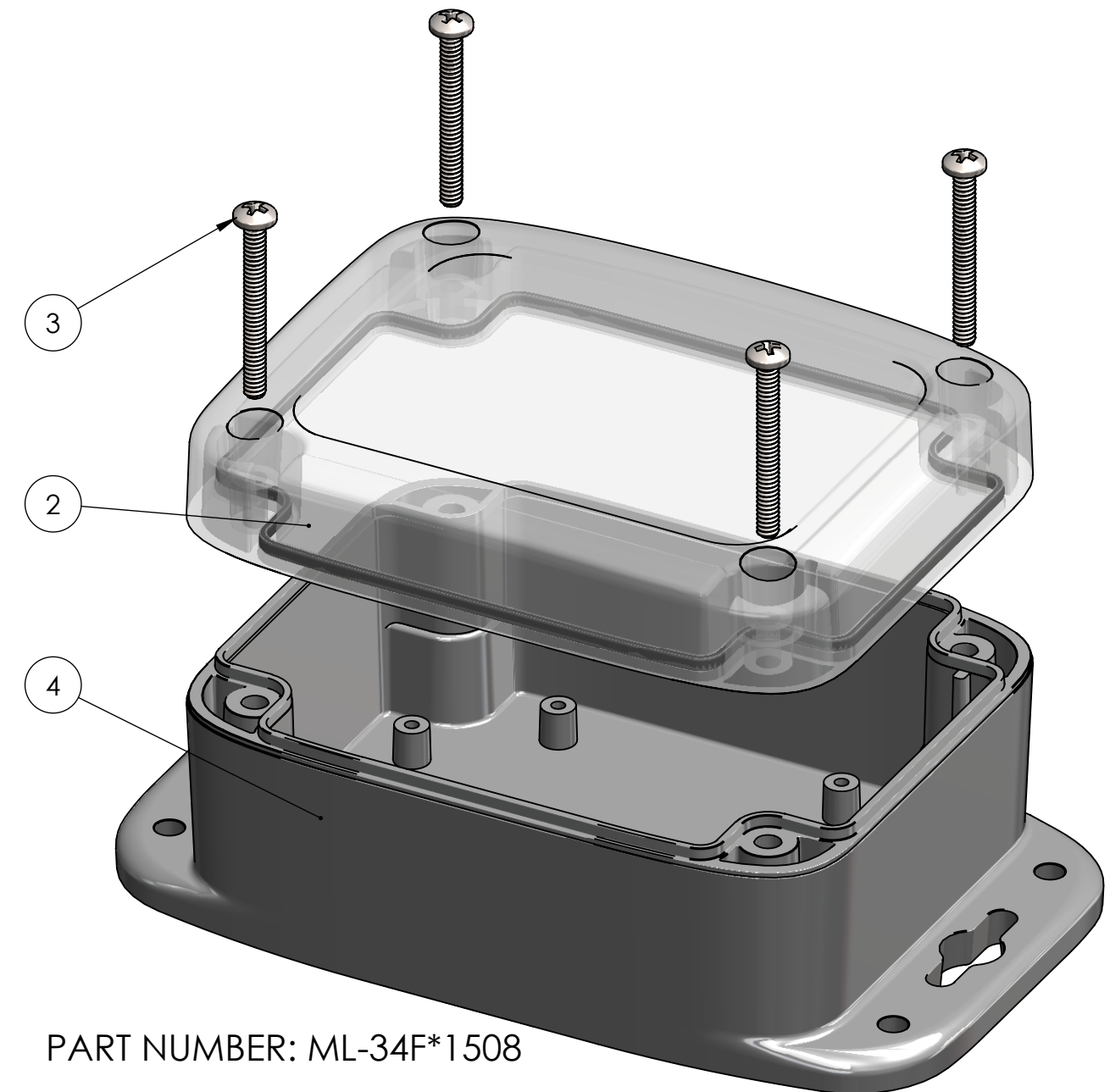
BOM Table							
ITEM NO.	PART NUMBER	Rev.	Description	FlameRating	Color	ML-34F*15/QTY.	ML-34F*1508/QTY.
1	ML-34CG*15	-	COVER WITH GASKET	UL94V-0	LIGHT GRAY (RAL 7035)	1	-
2	ML-34CG*08	-	COVER WITH GASKET	UL94V-0	CLEAR	-	1
3	SCREWS-SS6-4	-	4-PACK: 6-32 X 1.25 PHMS			1	1
4	ML-34BF*15	1	BASE W/BRASS INSERTS	UL94V-0	LIGHT GRAY (RAL 7035)	1	1



SECTION B-B



PART NUMBER: ML-34F\*15



PART NUMBER: ML-34F\*1508

REV.	DESCRIPTION	ZONE	BY	APPR'D	DATE
1	REVISED BASE				6/11/2020
-	PRODUCTION RELEASE				1/29/2014
D	RELEASED FOR TOOLING				10/1/2013

UNLESS OTHERWISE SPECIFIED:  
 DIMENSIONS ARE IN: INCHES[mm]  
 TOLERANCES: ANGULAR: ±2°  
 TWO PLACE DECIMAL: ±.010  
 THREE PLACE DECIMAL: ±.005  
 PRINTED GRAPHICS: ±.010

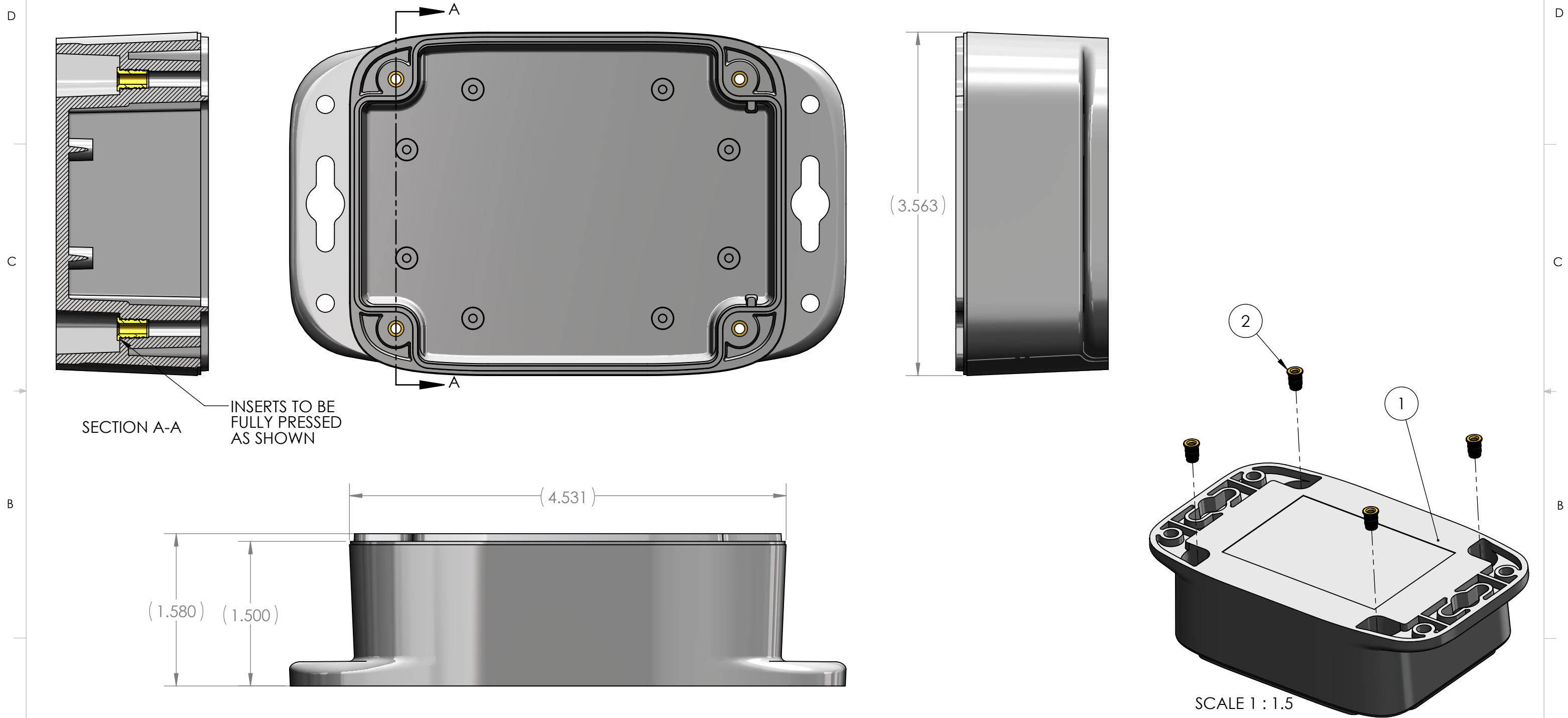
PROPRIETARY AND CONFIDENTIAL  
 THE INFORMATION CONTAINED IN THIS  
 DRAWING IS THE SOLE PROPERTY OF  
 POLYCASE. ANY REPRODUCTION IN PART  
 OR AS A WHOLE WITHOUT THE WRITTEN  
 PERMISSION OF POLYCASE IS PROHIBITED.  
 CAD FILE: ML-34F

PART NO. SEE BOM	NAME D.M.F.	DATE 10/1/2013
MATERIAL SEE BOM	CHECKED	2/5/2013
FLAME RATING SEE BOM	SIZE <b>C</b>	
SCALE: 1:1		REV <b>1</b>

1305 CHESTER RD. PARKWAY AVON, OHIO 44011-1083 U.S.A.  
 PH: 1-800-548-1233 440-934-0444 FAX: 440-934-0088

ASSEMBLY SHEET 1 OF 1

BOM Table								
ITEM NO.	PART NUMBER	Rev.	Description	Material	FlameRating	Color	QTY.	
1	ML-34BFN*15	1	BASE W/FLANGES & PCB BOSSES	PC	UL94V-0	LIGHT GRAY (RAL 7035)	1	
2	INSERT-3	-	THREADED INSERT #6-32	BRASS			4	



REV.	DESCRIPTION	ZONE	BY	APPR'D	DATE
1	REVISED BASE		D.M.F.	D.M.F.	6/11/2020
-	PRODUCTION RELEASE		D.M.F.		1/29/2014
D	RELEASED FOR TOOLING		D.M.F.	-	10/1/2013

REVISIONS

UNLESS OTHERWISE SPECIFIED:  
 DIMENSIONS ARE IN: INCHES[mm]  
 TOLERANCES: ANGULAR: ±2°  
 TWO PLACE DECIMAL: ±.010  
 THREE PLACE DECIMAL: ±.005  
 PRINTED GRAPHICS: ±.010

PROPRIETARY AND CONFIDENTIAL  
 THE INFORMATION CONTAINED IN THIS  
 DRAWING IS THE SOLE PROPERTY OF  
 POLYCASE. ANY REPRODUCTION IN PART  
 OR AS A WHOLE WITHOUT THE WRITTEN  
 PERMISSION OF POLYCASE IS PROHIBITED.  
 CAD FILE: ML-34BF

PART NO.  
ML-34BF\*15

MATERIAL

FLAME RATING  
UL94V-0

DRAWN  
D.M.F.

CHECKED  
-

DATE  
10/1/2013

DATE  
2/5/2013

**polycase**

1305 CHESTER IND. PARKWAY AVON, OHIO 44011-1083 U.S.A.  
 PH#: 1-800-248-1233, 440-934-0444 FAX#: 440-934-0088

SIZE  
**B**

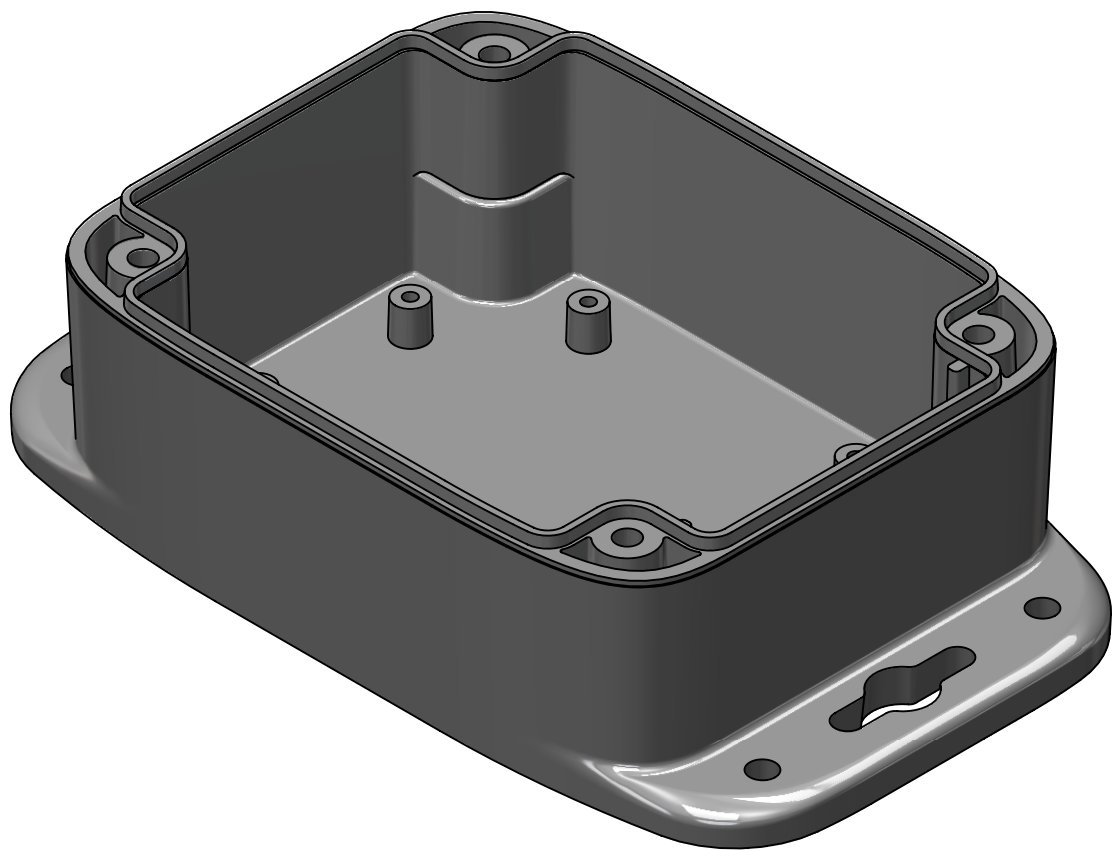
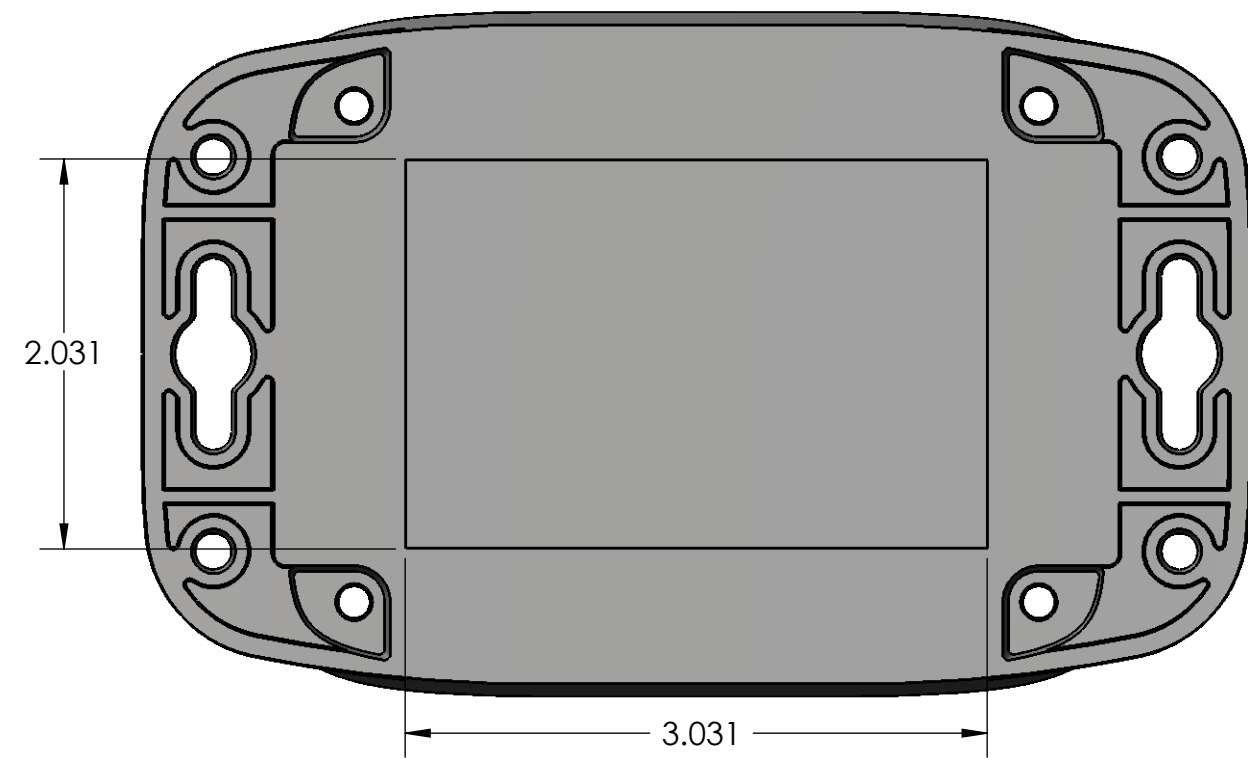
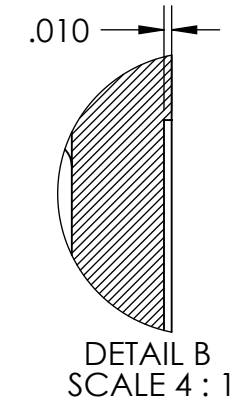
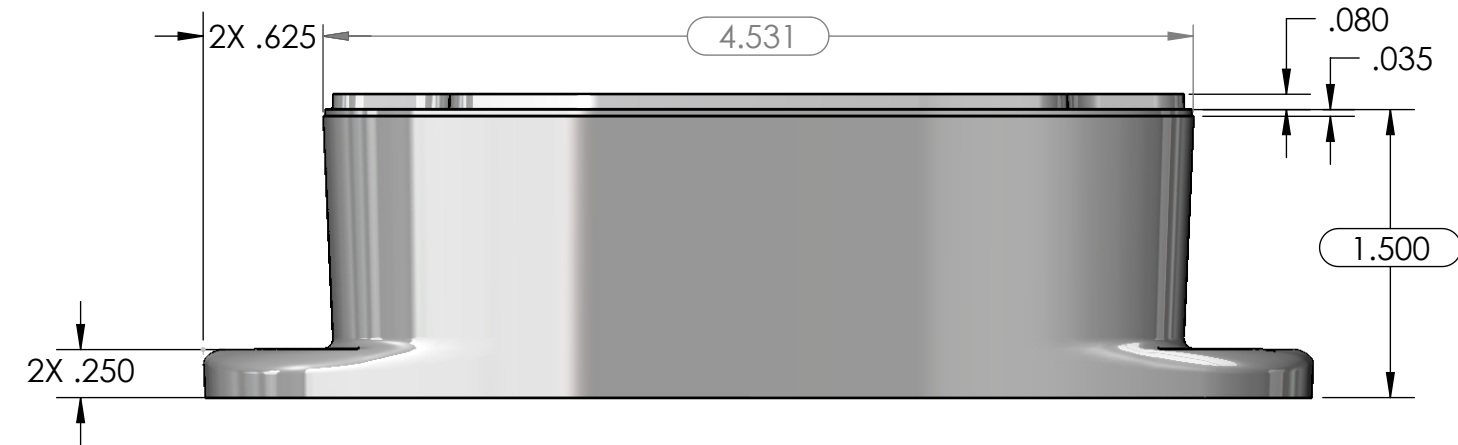
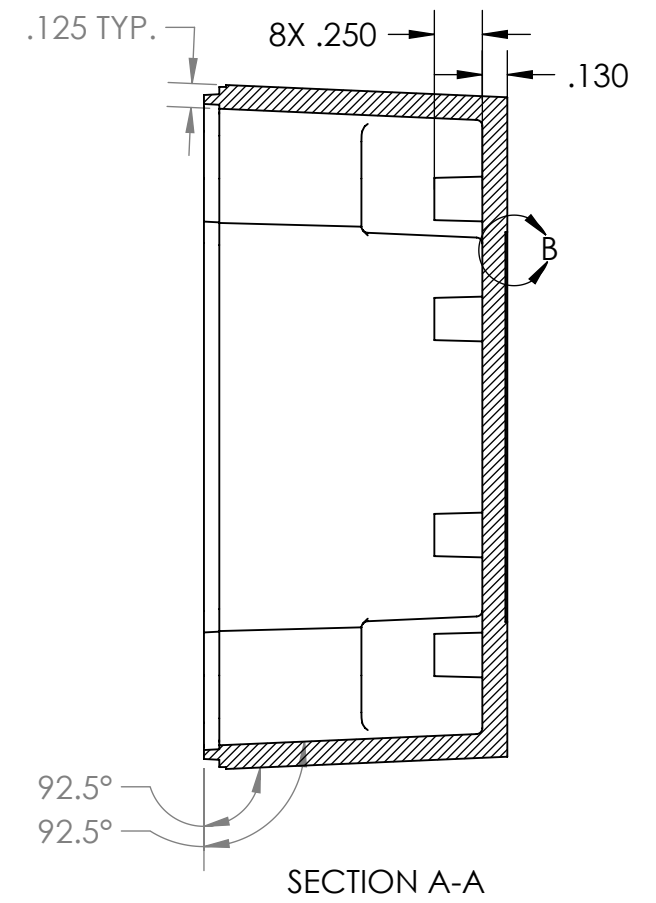
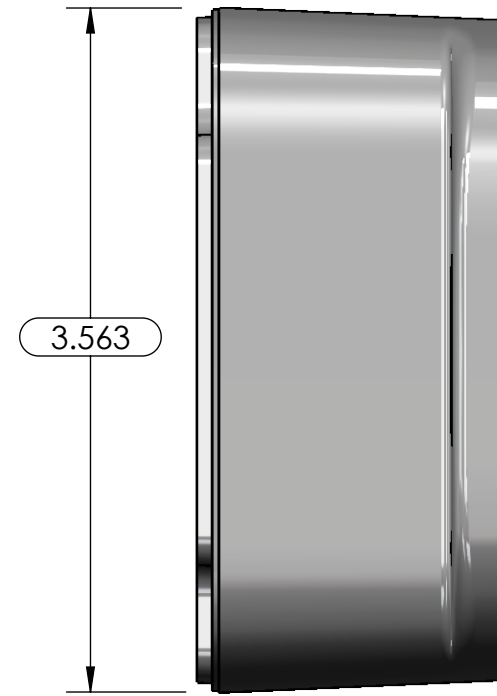
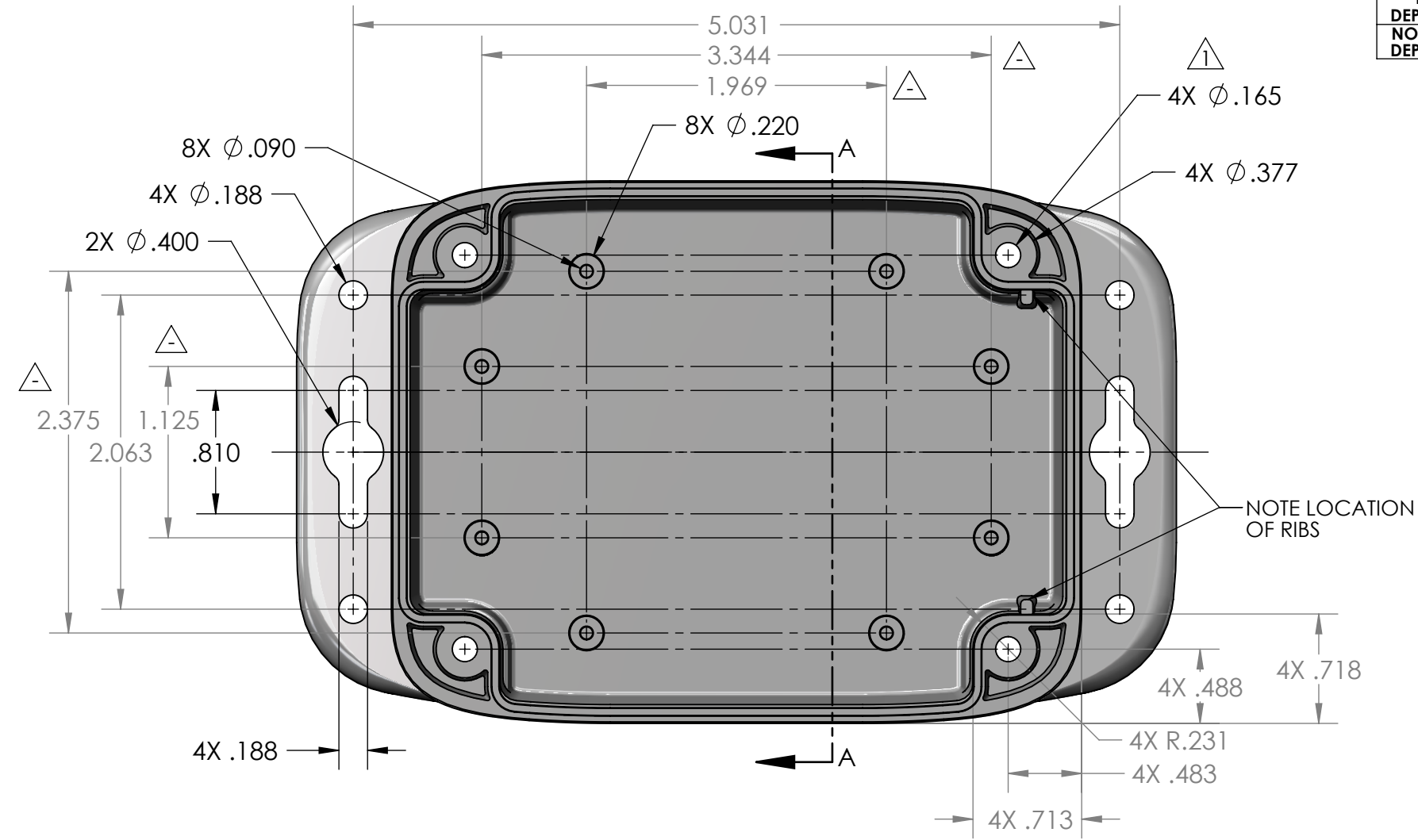
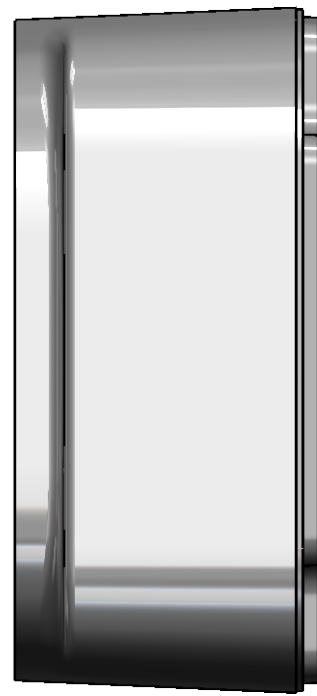
SCALE: 1:1

BASE W/BRASS INSERTS

REV  
**1**

SHEET 1 OF 1

TOLERANCE CHART																
DIMENSION RANGE	0	.039	.118	.236	.394	.591	.866	1.181	1.575	2.087	2.756	3.543	4.724	6.299	7.874	9.843
TOOL DEPENDENT	±.007	±.007	±.008	±.008	±.009	±.010	±.011	±.012	±.013	±.015	±.017	±.020	±.024	±.028	±.035	.043
NON-TOOL DEPENDENT	±.003	±.004	±.004	±.004	±.005	±.006	±.007	±.008	±.009	±.011	±.013	±.016	±.020	±.024	±.031	.039



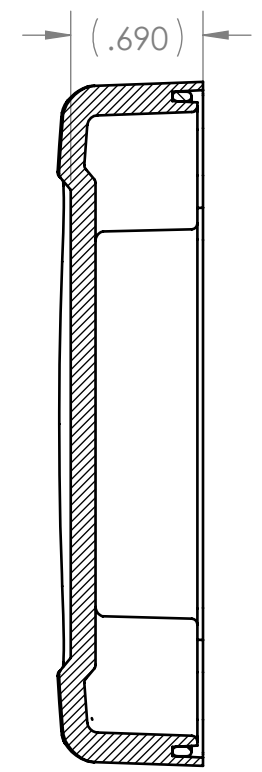
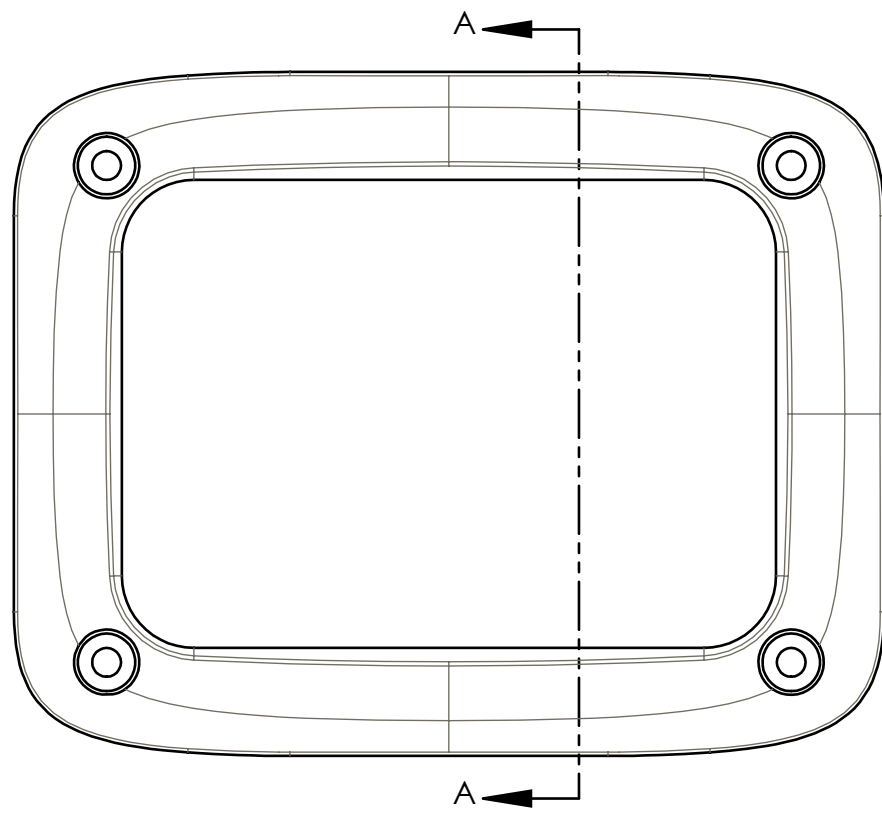
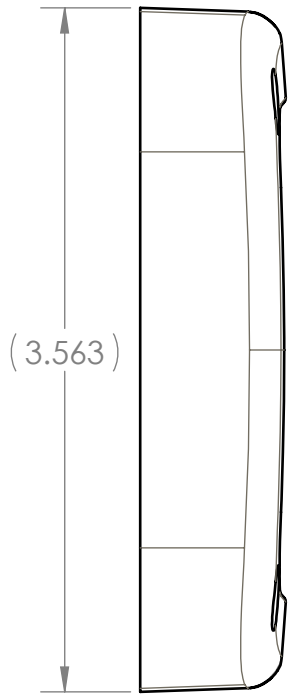
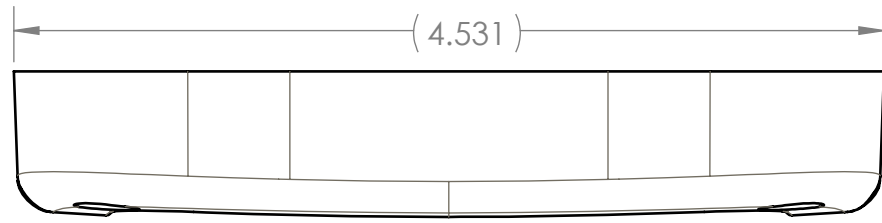
- NOTES:
- COLOR: LIGHT GRAY (RAL 7035)
  - MATERIAL SPEC: /PC/XXX/GY
  - REFER TO SOLID MODEL FOR COMPLETE PART DEFINITION.
  - (INSPECTION DIMENSION)
  - EJECTOR PINS TO BE FLUSH ±.015
  - FLASH .005 MAX
  - MAX REGRIND: 20%
  - GATE MUST BE FLUSH  $\begin{matrix} +.000 \\ -.015 \end{matrix}$

REV.	DESCRIPTION	ZONE	BY	APPR'D	DATE
1	$\phi$ .165 WAS $\phi$ .150		D.M.F.	D.M.F.	6/11/2020
-	PRODUCTION RELEASE		F5		
	3.344 WAS 3.469		F5		1/13/2014
	1.969 WAS 2.281		E6		
	2.375 WAS 2.500		E6		
	1.125 WAS 1.313				
D	RELEASE FOR TOOLING		D.M.F.	B.M.B.	10/15/2013

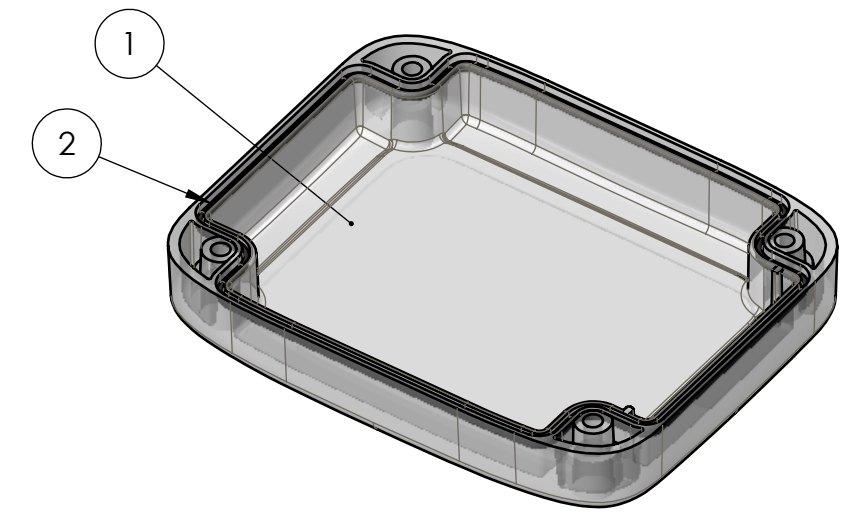
UNLESS OTHERWISE SPECIFIED: DIMENSIONS ARE IN: INCHES[mm] TOLERANCES: ANGULAR: ±2° TWO PLACE DECIMAL: ± THREE PLACE DECIMAL: ± PRINTED GRAPHICS: ±		PART NO. ML-34BFN*15		 1305 CHESTER RD. PARKWAY AVON, OHIO 44011-1083 U.S.A. PH: 1-800-248-1233, 440-934-0444 FAX: 440-934-0088
MATERIAL PC		FLAME RATING UL94V-0		
DRAWN CHECKED		NAME D.M.F.		REV 1
		DATE 10/1/2013 2/4/2013		SCALE: 1:1
REVISIONS				SHEET 1 OF 1



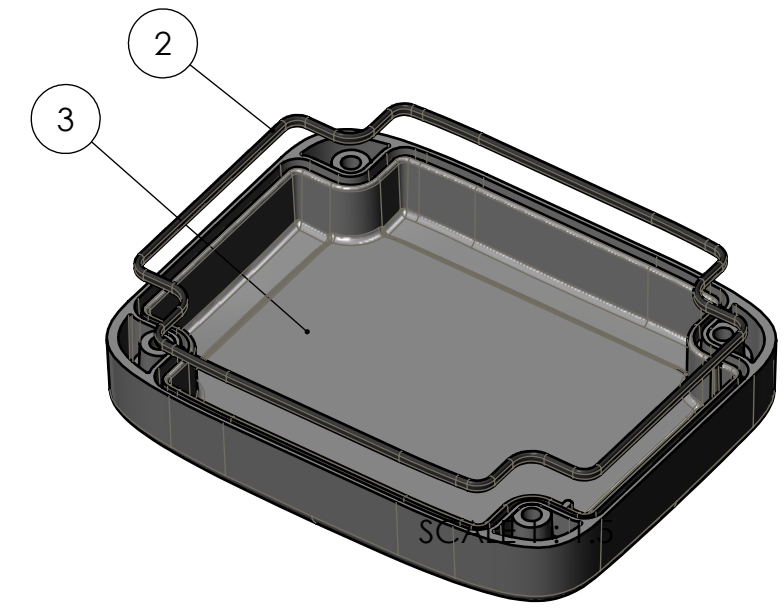
BOM Table								
ITEM NO.	PART NUMBER	Rev.	Description	Material	FlameRating	Color	ML-34CG*15/QTY.	ML-34CG*08/QTY.
1	ML-34C*08	D	COVER	PC	UL94V-0	CLEAR	-	1
2	GASKET-6	D	GASKET	SILICONE		CLEAR	1	1
3	ML-34C*15	D	COVER	PC	UL94V-0	LIGHT GRAY (RAL 7035)	1	-



SECTION A-A



SCALE 1 : 1.5



UNLESS OTHERWISE SPECIFIED:  
 DIMENSIONS ARE IN: INCHES [mm]  
 TOLERANCES: ANGULAR: ±2°  
 TWO PLACE DECIMAL: ±.010  
 THREE PLACE DECIMAL: ±.005  
 PRINTED GRAPHICS: ±.010

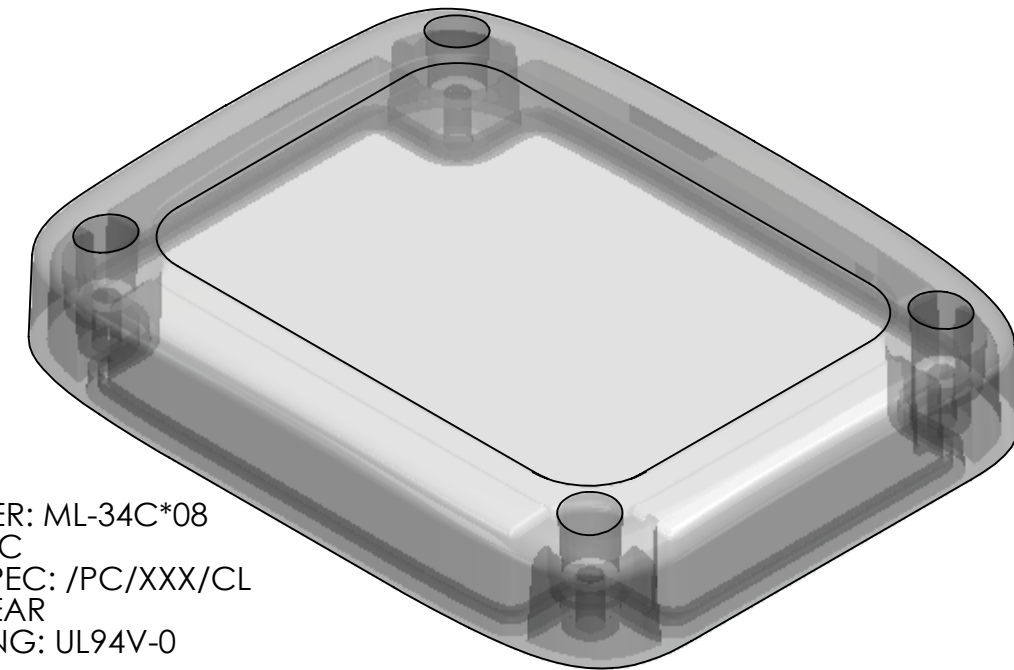
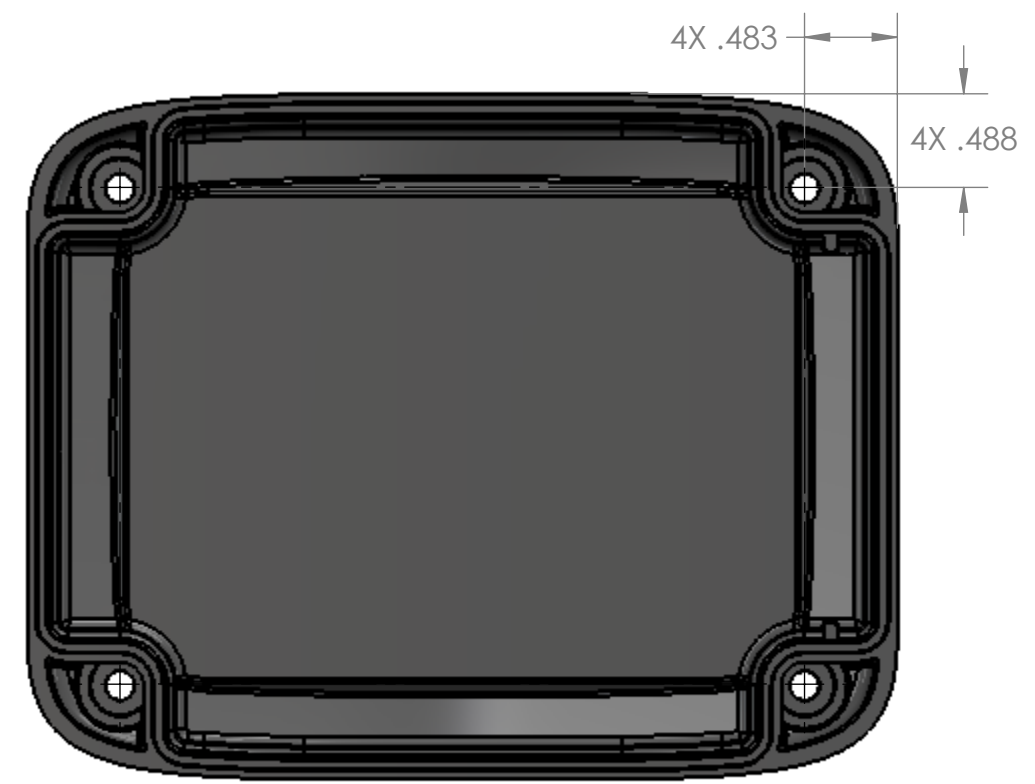
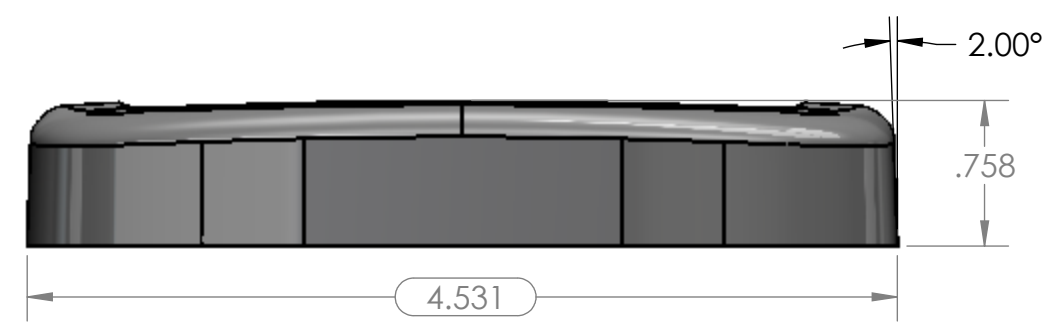
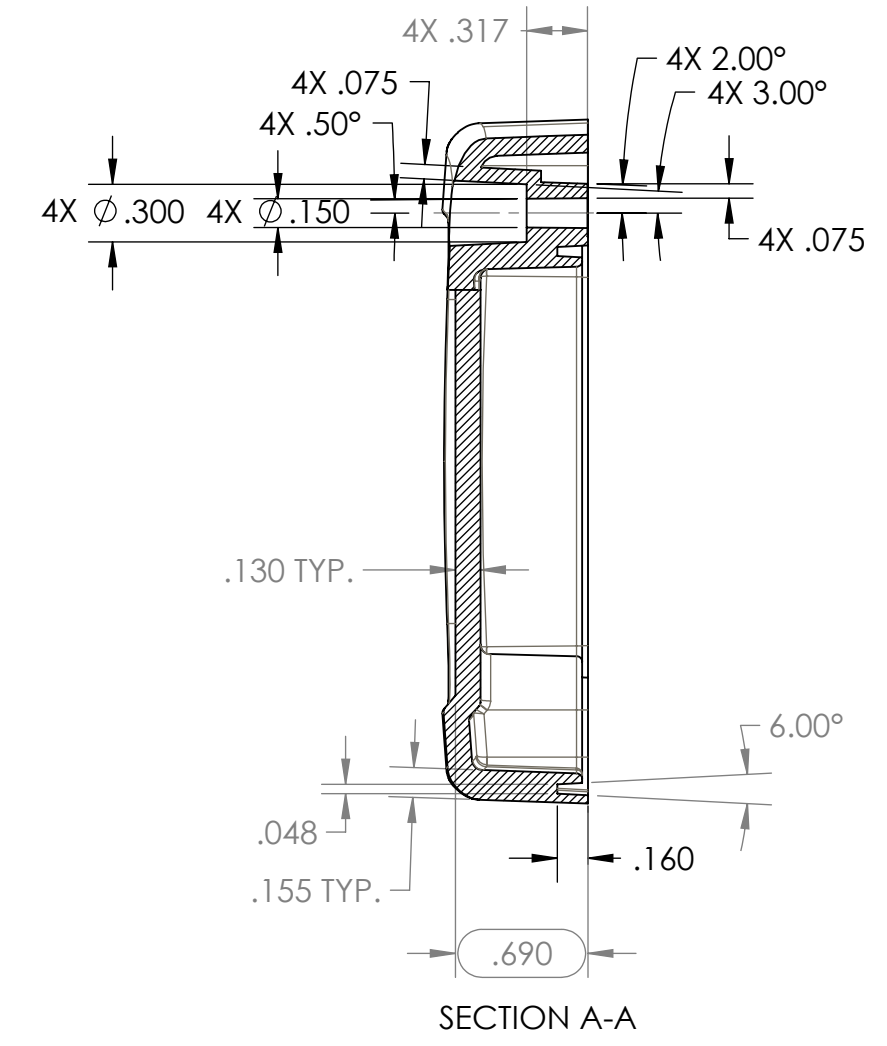
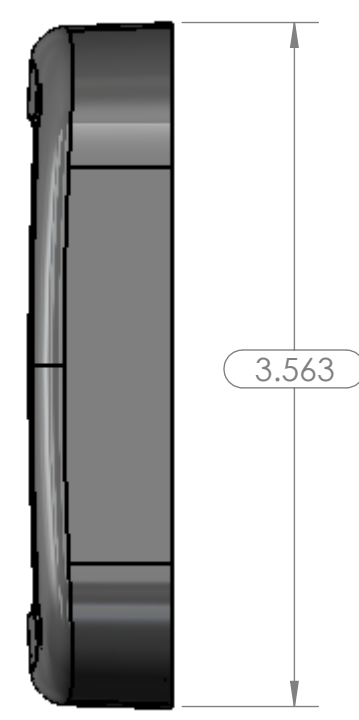
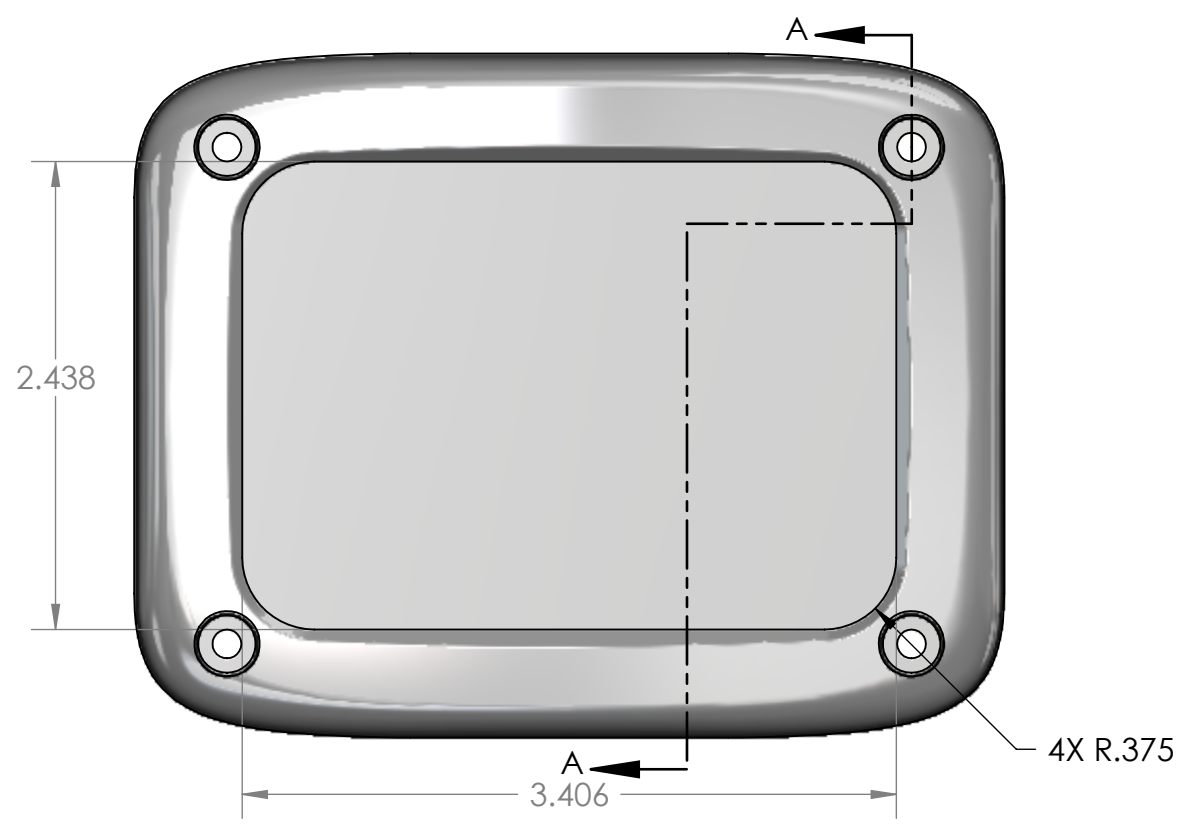
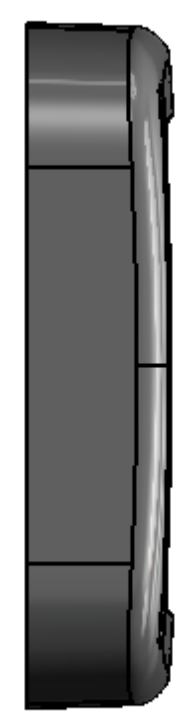
PROPRIETARY AND CONFIDENTIAL  
 THE INFORMATION CONTAINED IN THIS  
 DRAWING IS THE SOLE PROPERTY OF  
 POLYCASE. ANY REPRODUCTION IN PART  
 OR AS A WHOLE WITHOUT THE WRITTEN  
 PERMISSION OF POLYCASE IS PROHIBITED.  
 CAD FILE: ML-34CG

PART NO. SEE BOM		DATE
MATERIAL SEE BOM		
FLAME RATING SEE BOM		NAME
DRAWN	D.M.F.	10/1/2013
CHECKED	-	2/5/2013

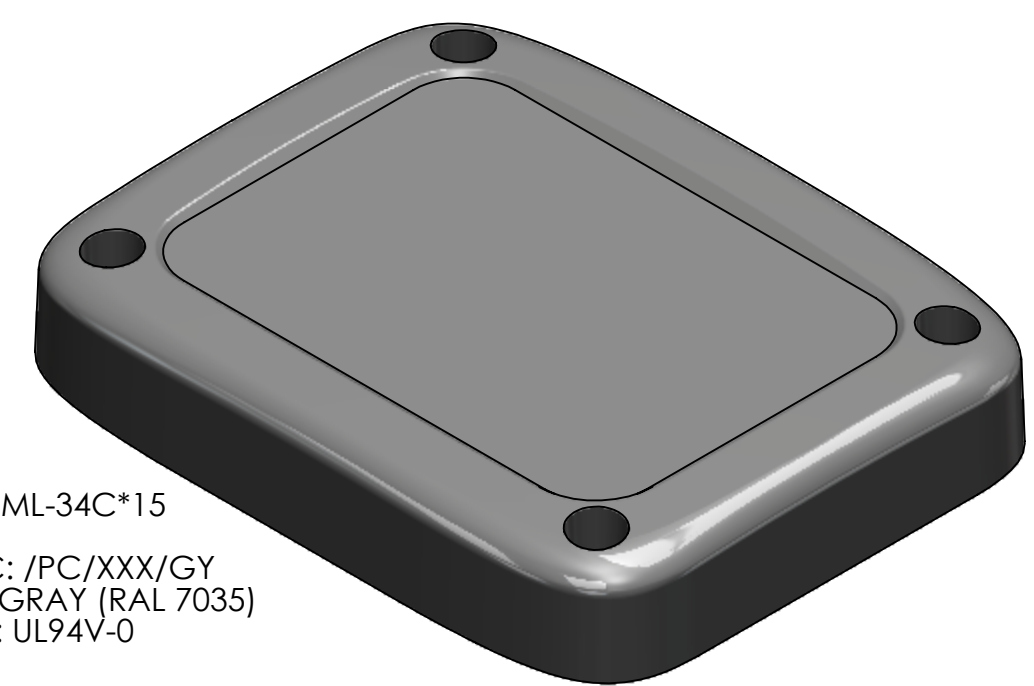
**polycase**  
 1305 CHESTER IND. PARKWAY AVON, OHIO 44011-1083 U.S.A.  
 PH#: 1-800-248-1233, 440-934-0444 FAX#: 440-934-0088

SIZE <b>B</b>	COVER WITH GASKET	REV -
SCALE: 1:1	SHEET 1 OF 1	

TOLERANCE CHART																
DIMENSION RANGE	0	.039	.118	.236	.394	.591	.866	1.181	1.575	2.087	2.756	3.543	4.724	6.299	7.874	9.843
	.039	.118	.236	.394	.591	.866	1.181	1.575	2.087	2.756	3.543	4.724	6.299	7.874	9.843	12.402
TOOL DEPENDENT	±.007	±.007	±.008	±.008	±.009	±.010	±.011	±.012	±.013	±.015	±.017	±.020	±.024	±.028	±.035	.043
NON-TOOL DEPENDENT	±.003	±.004	±.004	±.004	±.005	±.006	±.007	±.008	±.009	±.011	±.013	±.016	±.020	±.024	±.031	.039

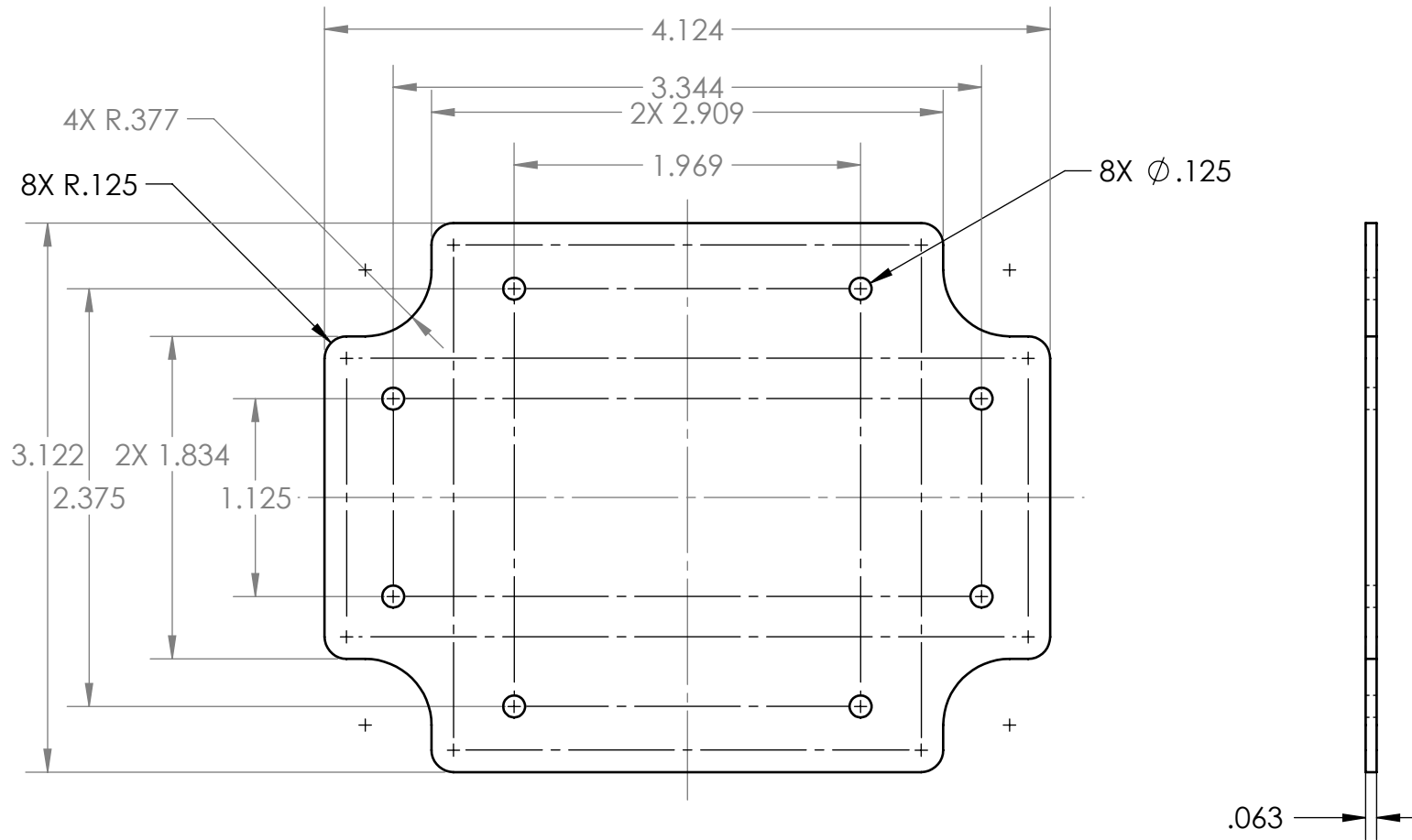


PART NUMBER: ML-34C\*08  
 MATERIAL: PC  
 MATERIAL SPEC: /PC/XXX/CL  
 COLOR: CLEAR  
 FLAME RATING: UL94V-0




PART NUMBER: ML-34C\*15  
 MATERIAL: PC  
 MATERIAL SPEC: /PC/XXX/GY  
 COLOR: LIGHT GRAY (RAL 7035)  
 FLAME RATING: UL94V-0

UNLESS OTHERWISE SPECIFIED: DIMENSIONS ARE IN: INCHES[mm] TOLERANCES: ANGULAR: ±.5° TWO PLACE DECIMAL: ± THREE PLACE DECIMAL: ± PRINTED GRAPHICS: ±.010	PART NO. AS NOTED		 1305 CHESTER RD. PARKWAY AVON, OHIO 44011-1083 U.S.A. PH: 1-800-248-1233 440-934-0444 FAX: 440-934-0088
	MATERIAL AS NOTED		
	FLAME RATING AS NOTED		
	SIZE C		
PROPRIETARY AND CONFIDENTIAL THE INFORMATION CONTAINED IN THIS DRAWING IS THE SOLE PROPERTY OF POLYCASE. ANY REPRODUCTION IN PART OR AS A WHOLE WITHOUT THE WRITTEN PERMISSION OF POLYCASE IS PROHIBITED. CAD FILE: ML-34C	NAME D.M.F.	DATE 10/1/2013	SCALE: 1:1
	CHECKED B.M.B.	10/15/2013	COVER REV -
			SHEET 1 OF 1



NOTES:  
1. INCLUDES .031 CLEARANCE FROM INTERIOR.

UNLESS OTHERWISE SPECIFIED: DIMENSIONS ARE IN: INCHES [mm] TOLERANCES: ANGULAR: $\pm 2^\circ$ TWO PLACE DECIMAL: $\pm .010$ THREE PLACE DECIMAL: $\pm .005$ PRINTED GRAPHICS: $\pm .010$		PART NO. ML-34BF-PCB		 <small>1305 CHESTER IND. PARKWAY AVON, OHIO 44011-1083 U.S.A. PH#: 1-800-248-1233, 440-934-0444 FAX#: 440-934-0088</small>	
PROPRIETARY AND CONFIDENTIAL THE INFORMATION CONTAINED IN THIS DRAWING IS THE SOLE PROPERTY OF POLYCASE. ANY REPRODUCTION IN PART OR AS A WHOLE WITHOUT THE WRITTEN PERMISSION OF POLYCASE IS PROHIBITED. CAD FILE: ML-34BF-PCB		MATERIAL			
FLAME RATING		DRAWN D.M.F.		PCB TEMPLATE FOR ML-34BF*15 (NOT SUPPLIED)	
DATE		DATE		SCALE: 1:1	
REVISIONS		CHECKED -		SHEET 1 OF 1	
5		4		3	
				2	
				1	

REV.	DESCRIPTION	ZONE	BY	APPR'D	DATE

5

4

3

2

1