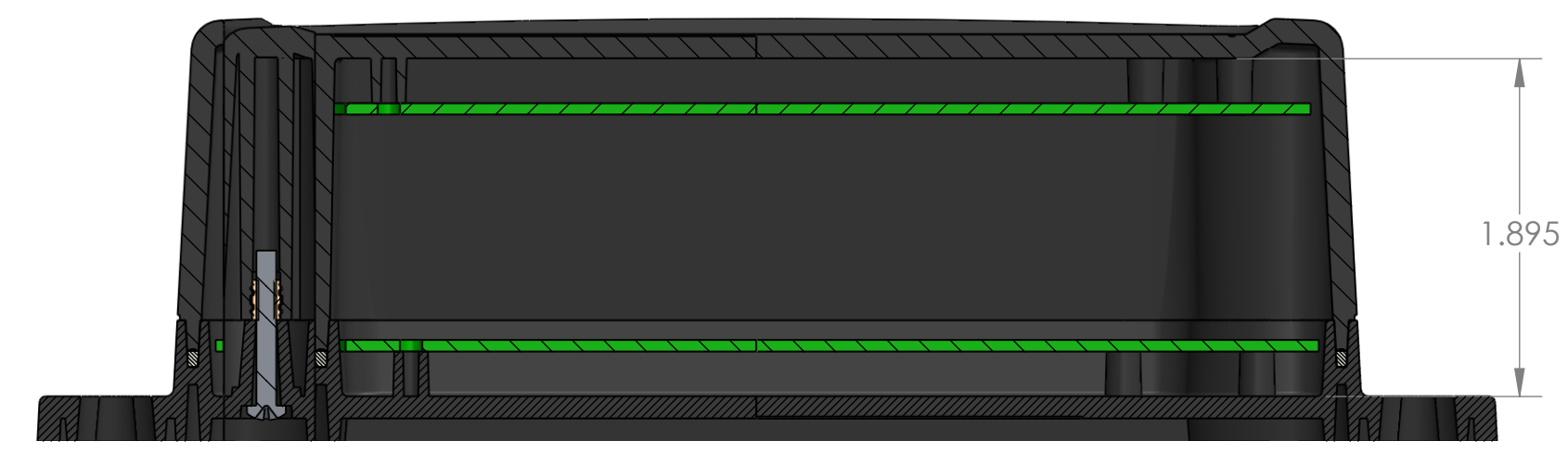
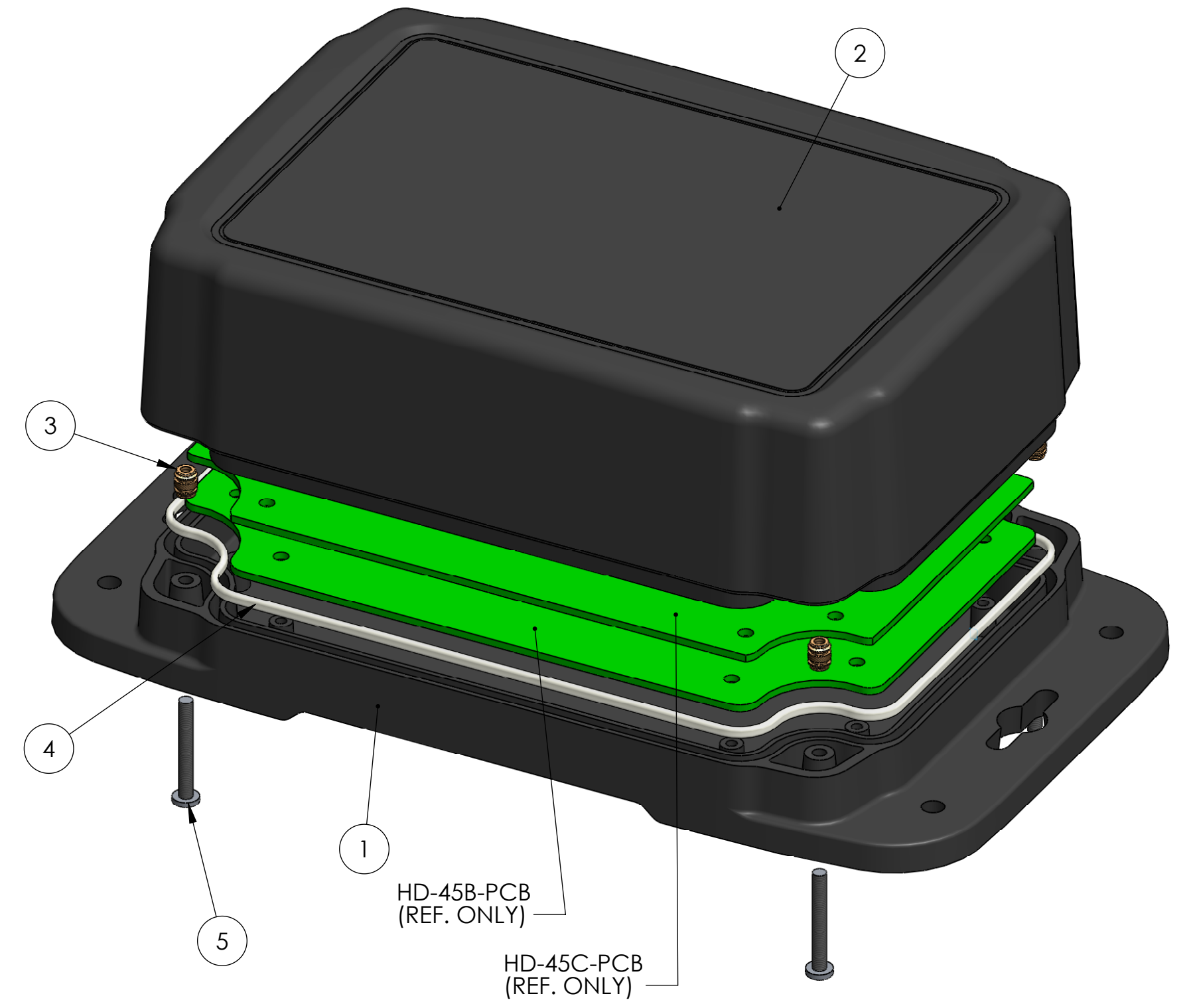
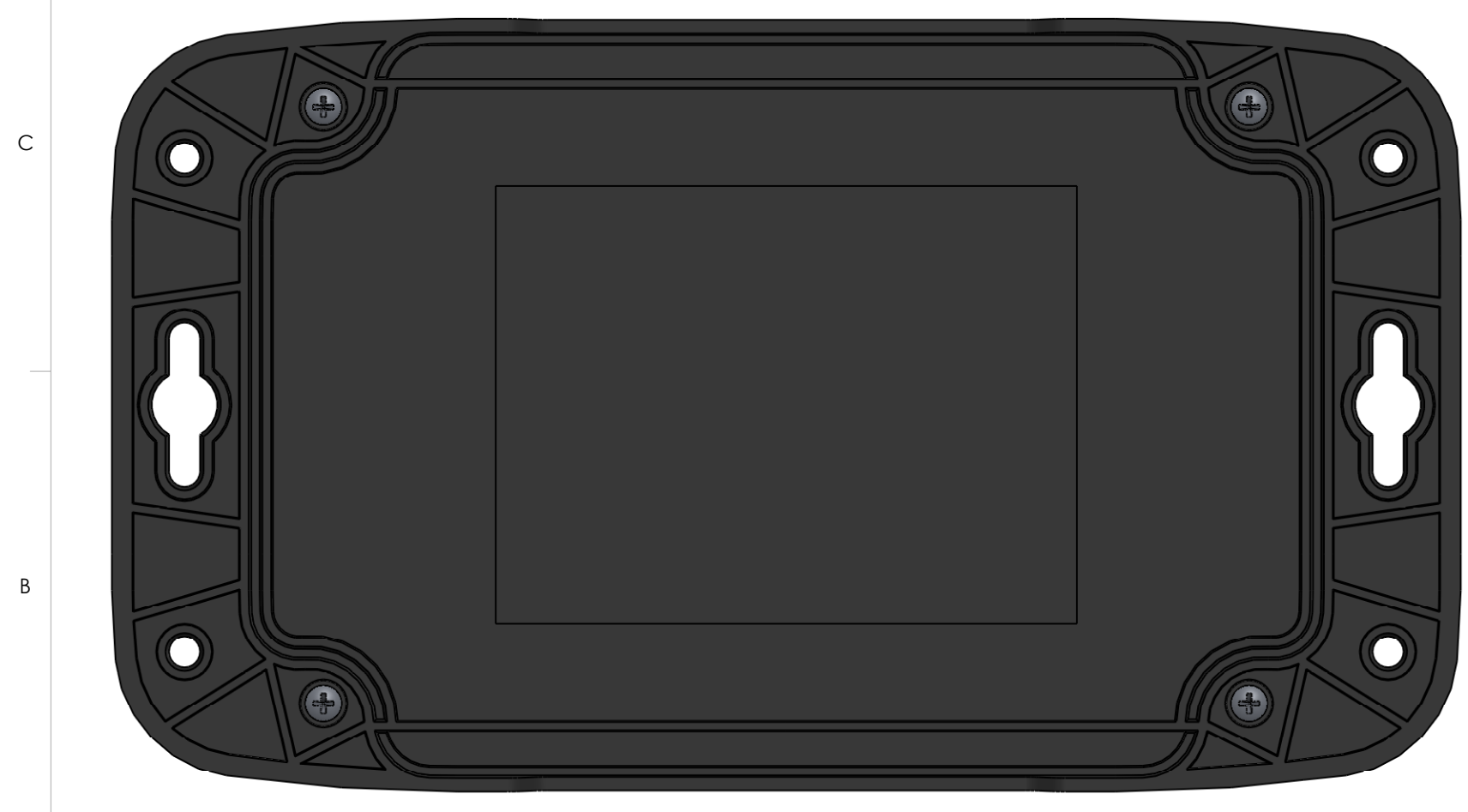


REV.	DESCRIPTION	DATE	BY	APPROVED
1	PRELIMINARY RELEASE	12/20/2007	D.F.	B.M.B.
2	INITIAL RELEASE	5/14/2008	D.M.F.	B.M.B.



SECTION A-A



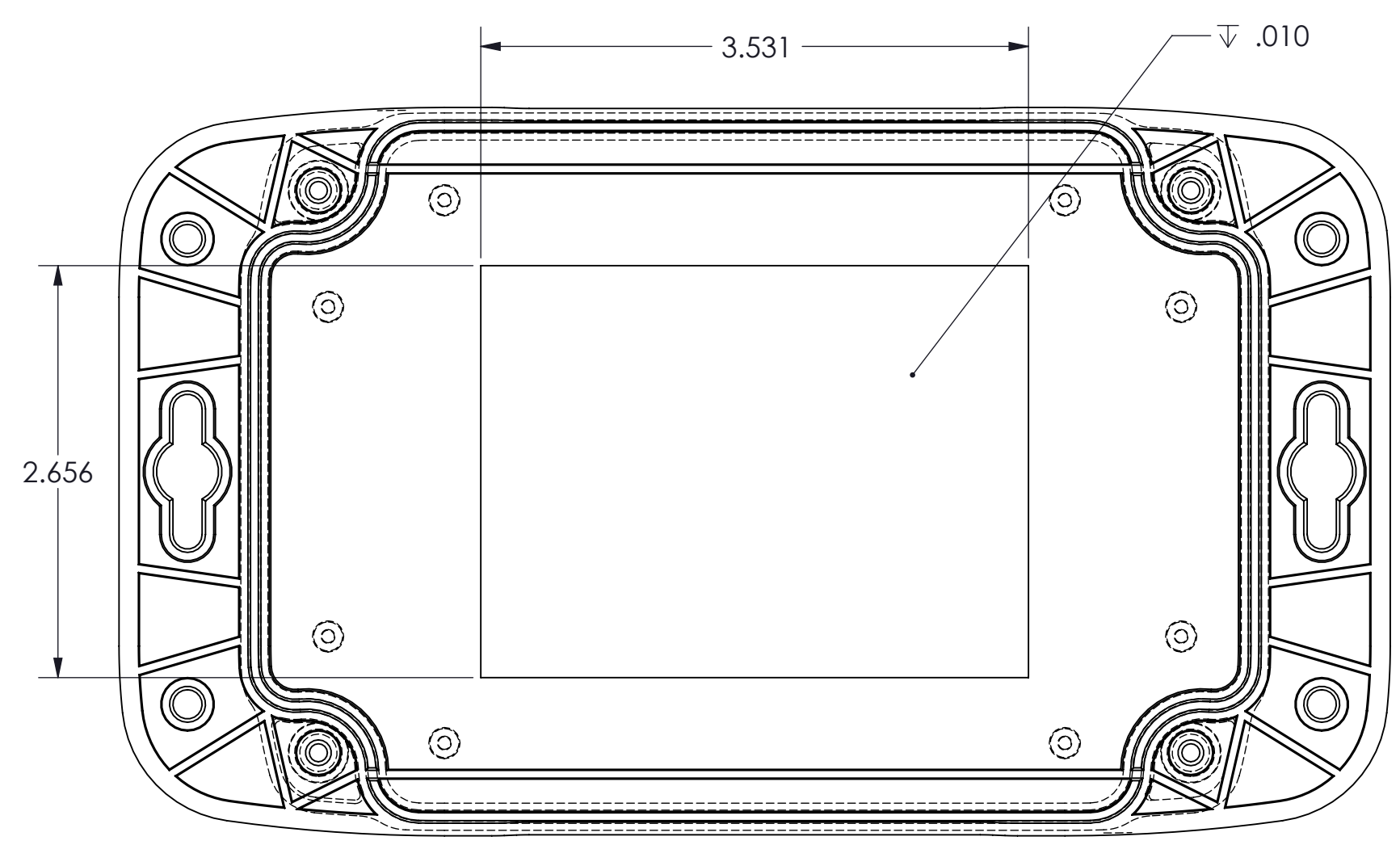
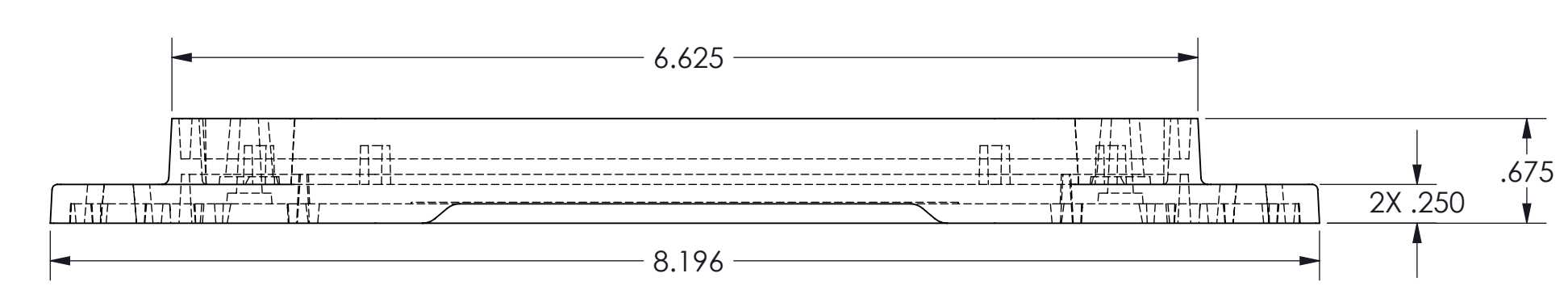
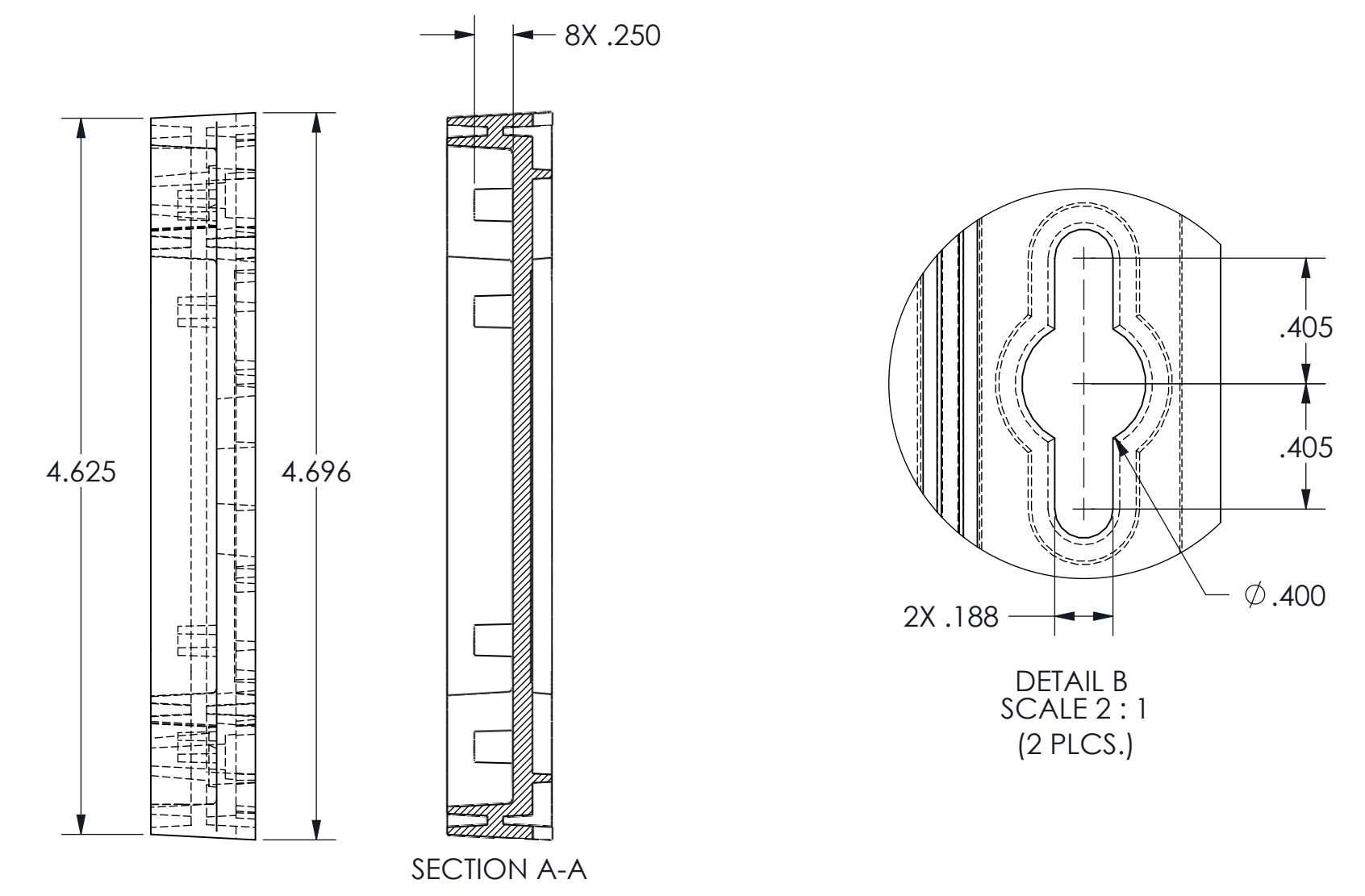
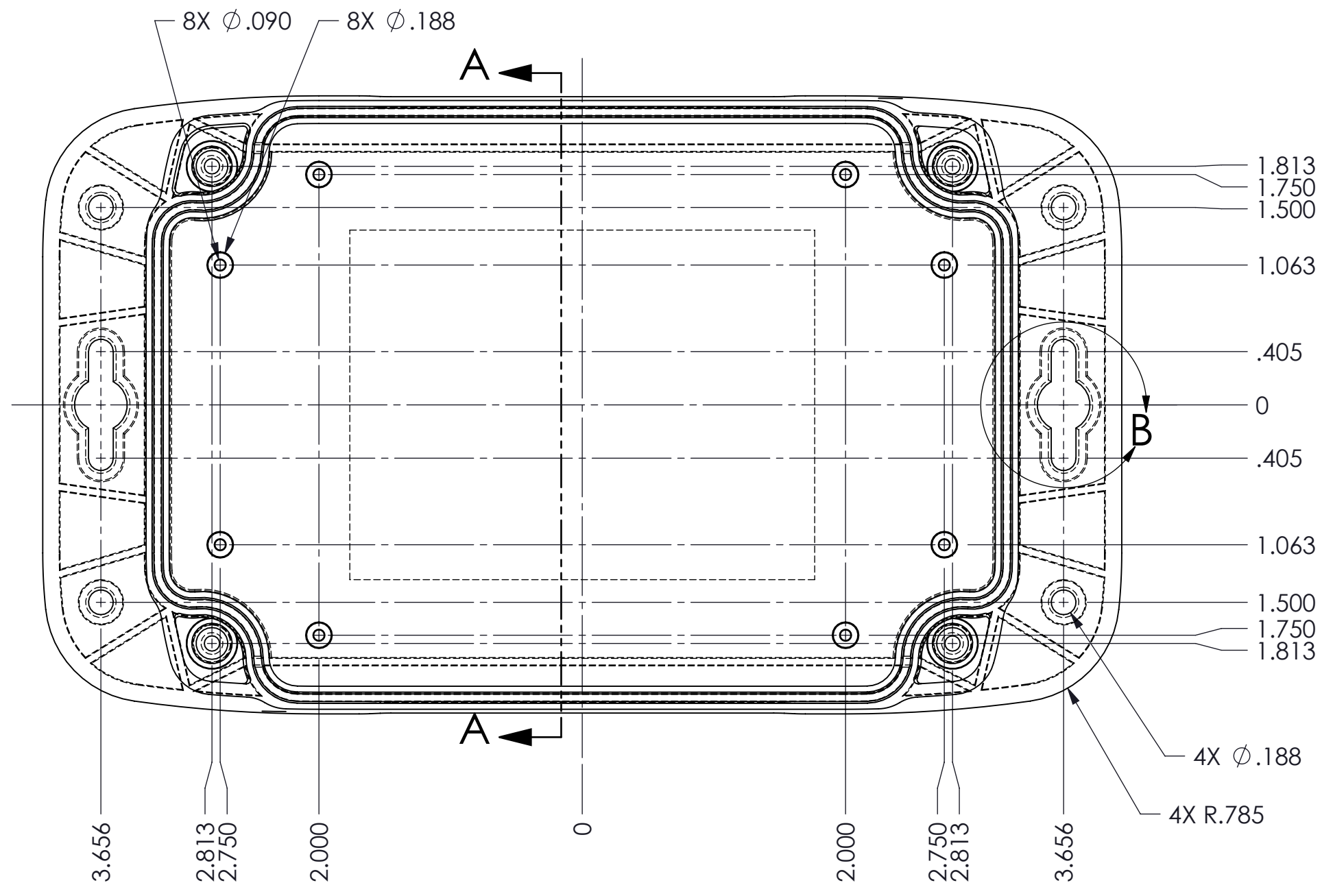
ITEM NO.	PART NUMBER	DESCRIPTION	QTY.
5	SCREWS-SS7/8	PAN HEAD, 4-40 x .875 LG, STAINLESS STEEL	4
4	GASKET-45*08	SILICONE RUBBER GASKET	1
3	INSERTS-2	THREADED BRASS INSERT: 4-40 TH'D	4
2	HD-45CMBT	COVER	1
1	HD-45BFMB	BASE	1

BOM Table

- NOTES:
1. PCB BOSSES WILL ACCEPT A #4 X .250 LONG THREAD FORMING SCREW (SCREWS AVAILABLE FROM POLYCASE)
  2. ENCLOSURE DESIGNED TO MEET NEMA 4X / IP66
  3. MATERIAL: UV STABILIZED & FLAME RETARDANT POLYCARBONATE
  4. RECOMMENDED TORQUE SETTING FOR ASSEMBLY SCREWS: 6.25 IN-LBS

UNLESS OTHERWISE SPECIFIED: DIMENSIONS ARE IN: INCHES (mm) TOLERANCES: ANGULAR: ±2° TWO PLACE DECIMAL: ±.03 THREE PLACE DECIMAL: ±.015		DWG. NO. HD-45FMMT PRODUCT		 <b>POLYCASE™</b> YOUR PERFECT FIT <small>1305 CHESTER IND. PARKWAY AVON, OHIO 44011-1083 U.S.A.          PH: 1-800-248-1233, 440-934-0444 FAX: 440-934-0088</small>	
PROPRIETARY AND CONFIDENTIAL THE INFORMATION CONTAINED IN THIS DRAWING IS THE SOLE PROPERTY OF POLYCASE. ANY REPRODUCTION IN PART OR AS A WHOLE WITHOUT THE WRITTEN PERMISSION OF POLYCASE IS PROHIBITED. CAD FILE: HD-45 Assembly		CLIENT		SIZE <b>C</b>	REV <b>2</b>
DRAWN	NAME	DATE	TITLE: PRODUCT DETAIL DRAWING		
CHECKED	D.M.F.	12/20/2007	SCALE: 1:1		
	B.M.B.	12/20/2007	SHEET 1 OF 1		

REV.	DESCRIPTION	DATE	BY	APPROVED
1	PRELIMINARY RELEASE	12/20/2007	D.F.	B.M.B.
2	INITIAL RELEASE	5/14/2008	D.M.F.	B.M.B.

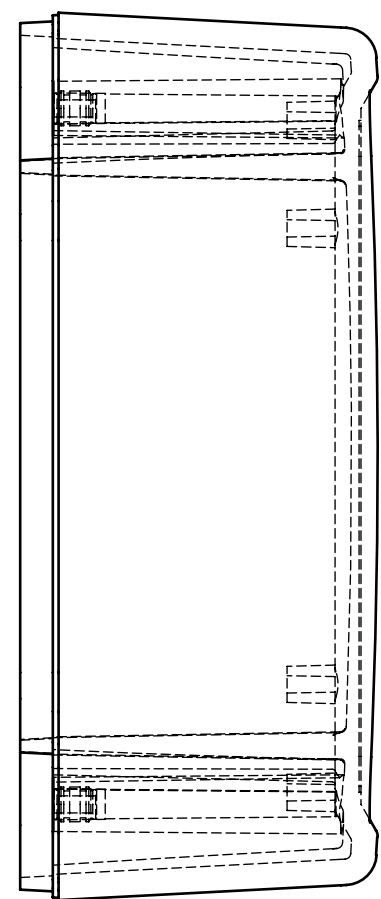
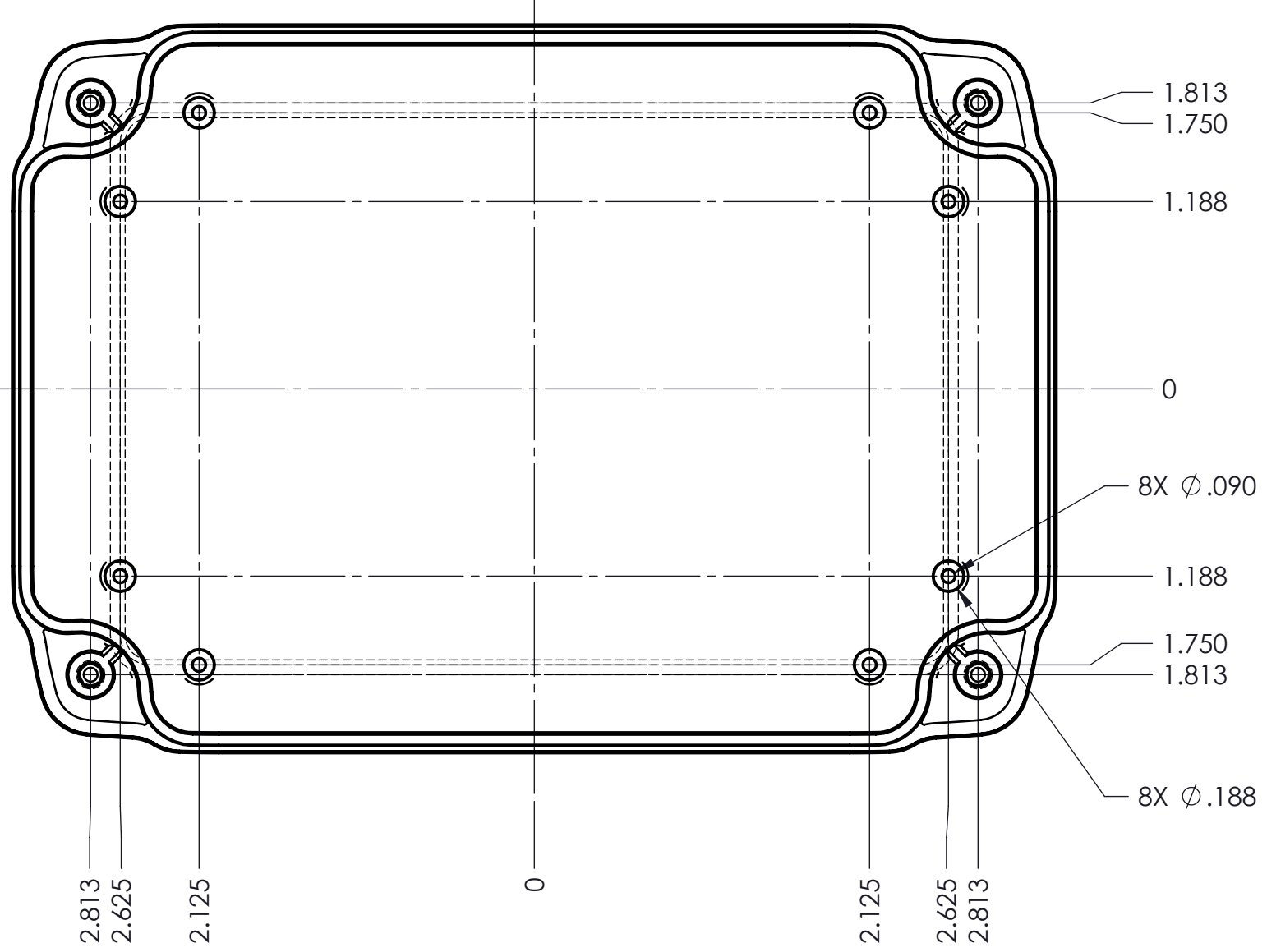
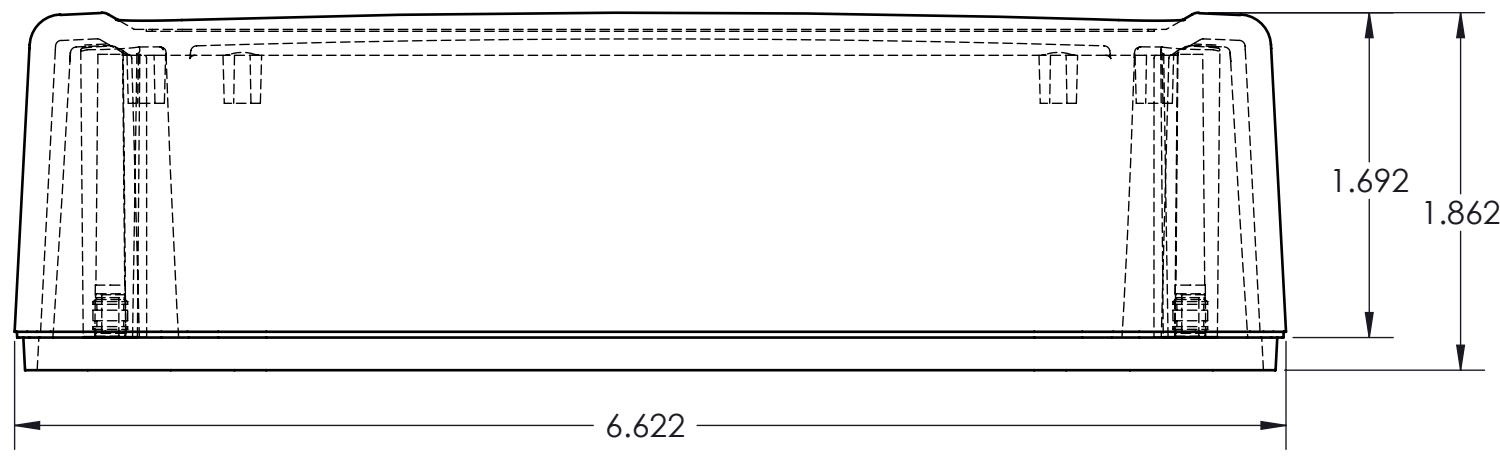
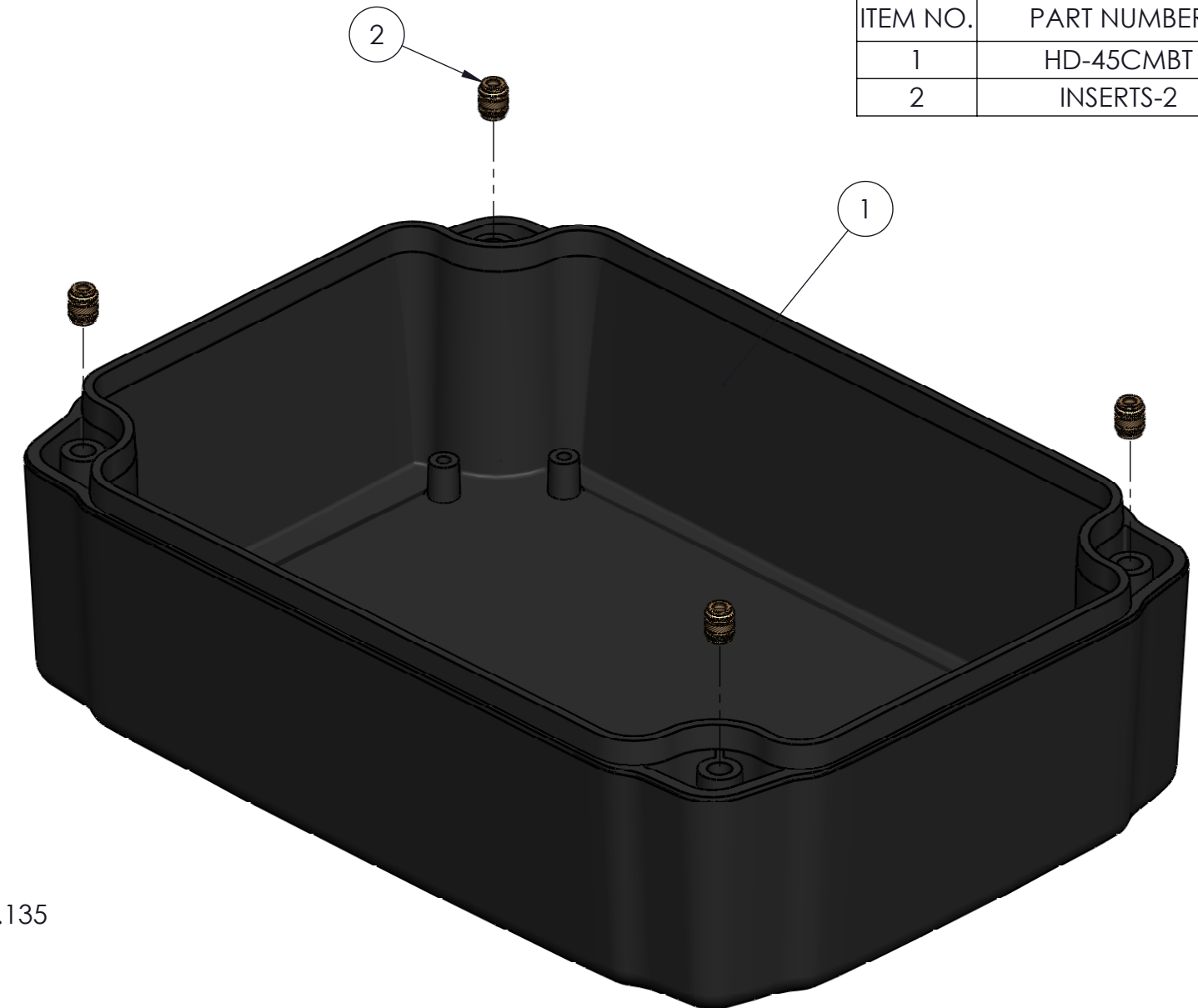
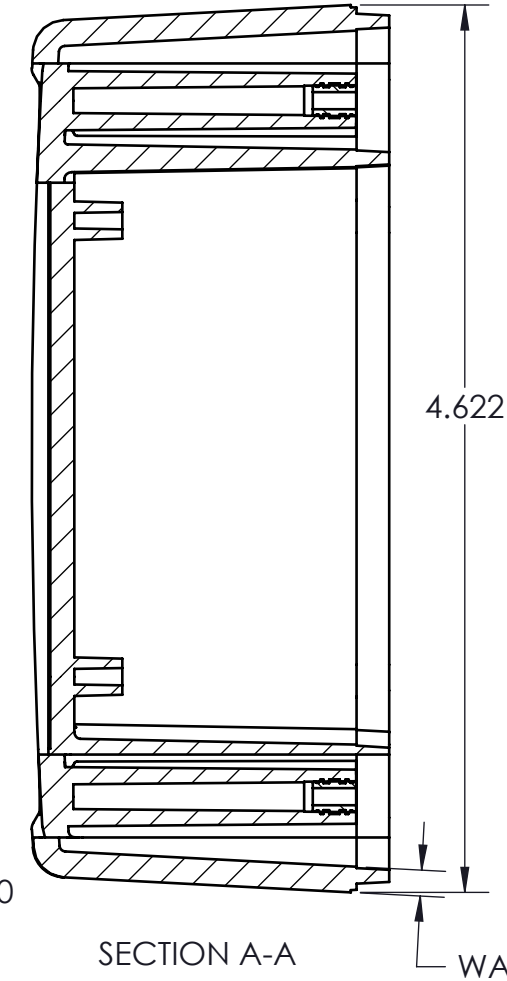
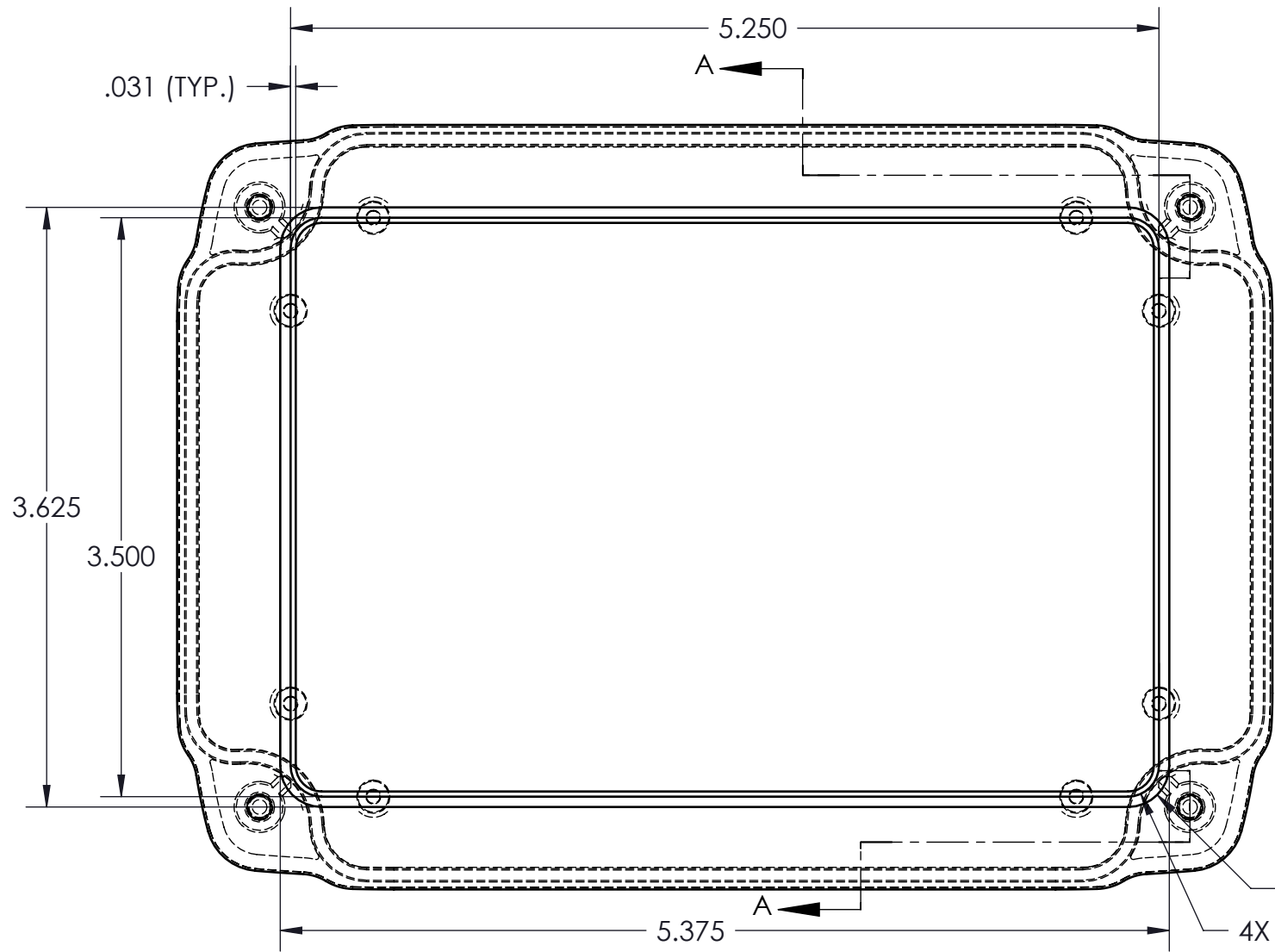


NOTES:  
1. PCB BOSSES WILL ACCEPT A #4 X .250 LONG THREAD FORMING SCREW (SCREWS AVAILABLE FROM POLYCASE)

UNLESS OTHERWISE SPECIFIED: DIMENSIONS ARE IN: INCHES (mm) TOLERANCES: ANGULAR: $\pm 2^\circ$ TWO PLACE DECIMAL: $\pm .03$ THREE PLACE DECIMAL: $\pm .015$		DWG. NO. HD-45BFMB		 YOUR PERFECT FIT 1305 CHESTER IND. PARKWAY AVON, OHIO 44011-1083 U.S.A. PH: 1-800-248-1233, 440-934-0444 FAX: 440-934-0088	
PROPRIETARY AND CONFIDENTIAL THE INFORMATION CONTAINED IN THIS DRAWING IS THE SOLE PROPERTY OF POLYCASE. ANY REPRODUCTION IN PART OR AS A WHOLE WITHOUT THE WRITTEN PERMISSION OF POLYCASE IS PROHIBITED. CAD FILE: HD-45B		CLIENT -		SIZE C	REV 2
DRAWN CHECKED		NAME D.M.F.	DATE 12/20/07	TITLE: PRODUCT DETAIL DRAWING	
		NAME B.M.B.	DATE 12/20/07	SCALE: 1:1	SHEET 1 OF 1



BOM Table		
ITEM NO.	PART NUMBER	QTY.
1	HD-45CMBT	1
2	INSERTS-2	4



NOTES:  
 1. PCB BOSSES WILL ACCEPT A #4 X .250 LONG THREAD FORMING SCREW (SCREWS AVAILABLE FROM POLYCASE)

ZONE	REV.	DESCRIPTION	BY	APPR'D	DATE
1		INITIAL RELEASE	D.M.F.	B.M.B.	5/13/2008

UNLESS OTHERWISE SPECIFIED:  
 DIMENSIONS ARE IN: INCHES (mm)  
 TOLERANCES: ANGULAR: ±2°  
 TWO PLACE DECIMAL: ±.03  
 THREE PLACE DECIMAL: ±.015

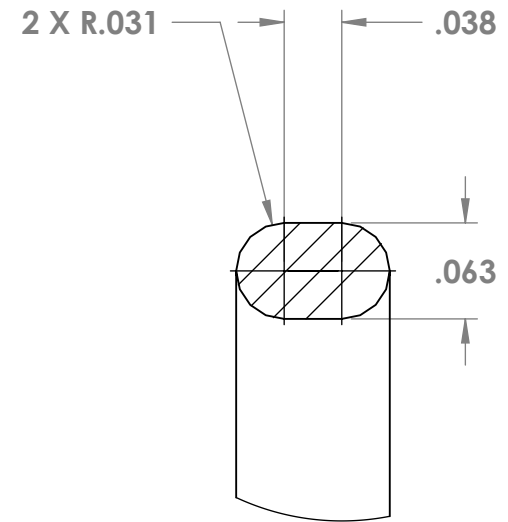
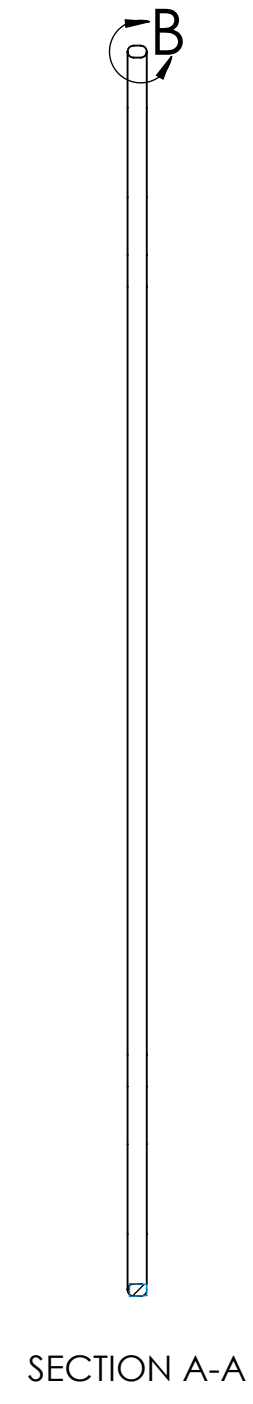
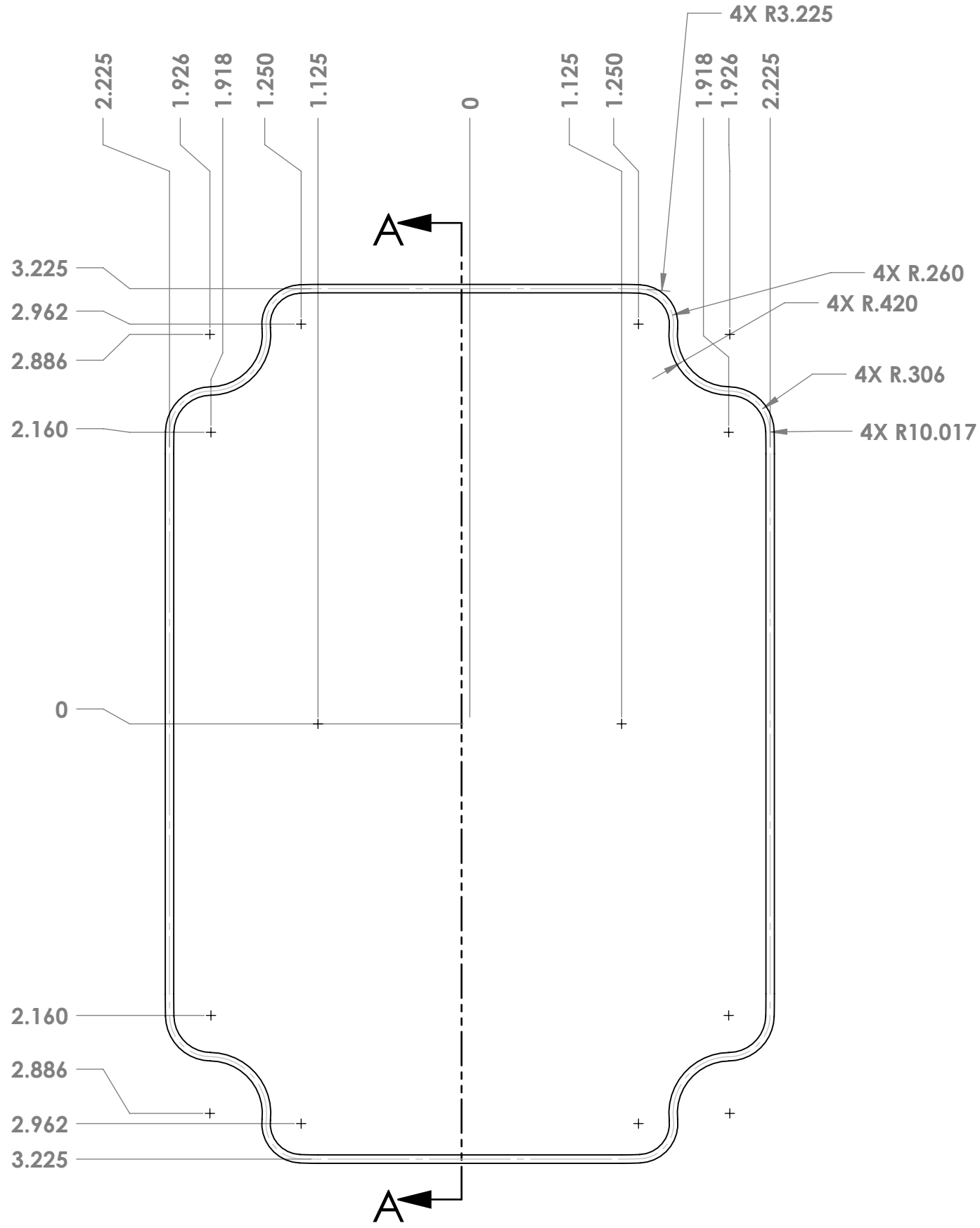
DWG. NO.  
 HD-45CMBT  
 PRODUCT

**POLYCASE™**  
 YOUR PERFECT FIT  
 1305 CHESTER IND. PARKWAY AVON, OHIO 44011-1083 U.S.A.  
 PH# 1-800-248-1233; 440-934-0444 FAX# 440-934-0086

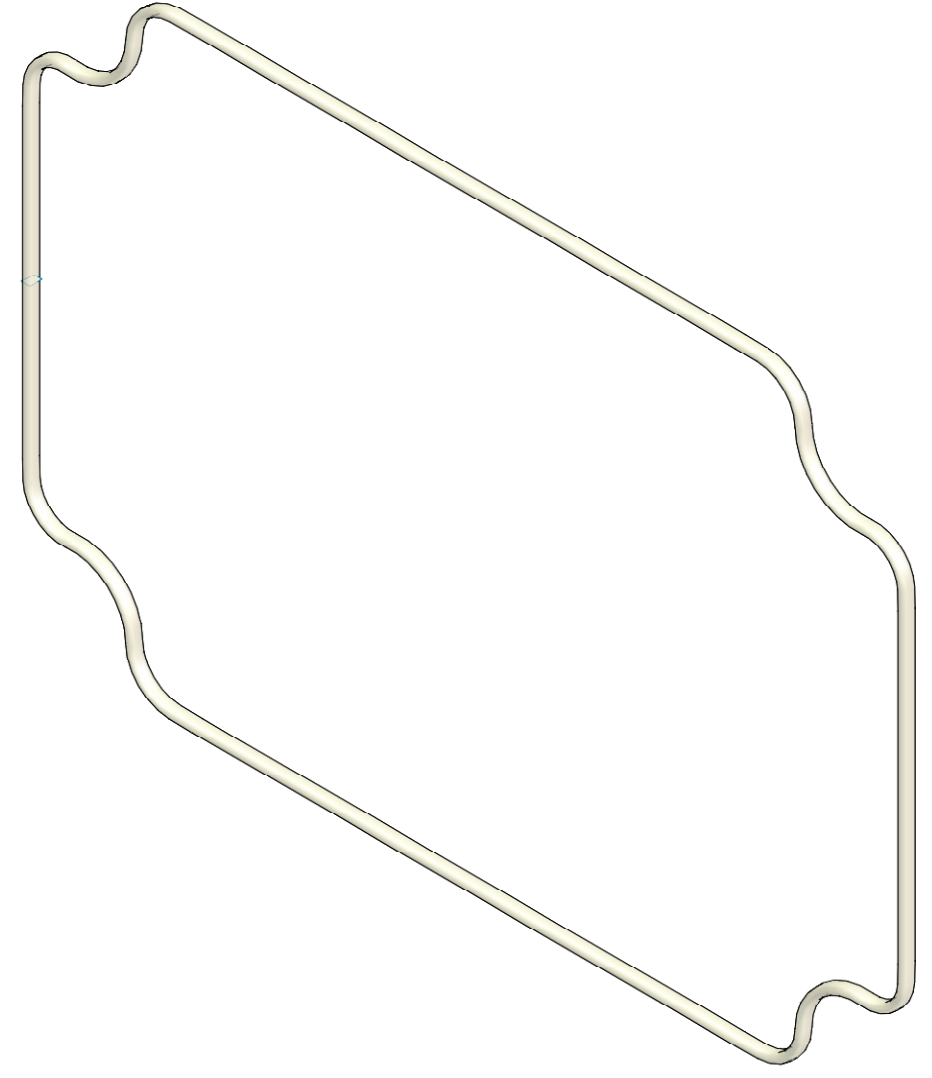
CLIENT: -  
 TITLE: PRODUCT DETAIL DRAWING  
 REV 1

SCALE: 1:1

CAD FILE: HD-45CMBT SUB-ASS'Y  
 DRAWN: D.M.F. 12/20/2007  
 CHECKED: B.A.B. 12/20/2007  
 SHEET 1 OF 1



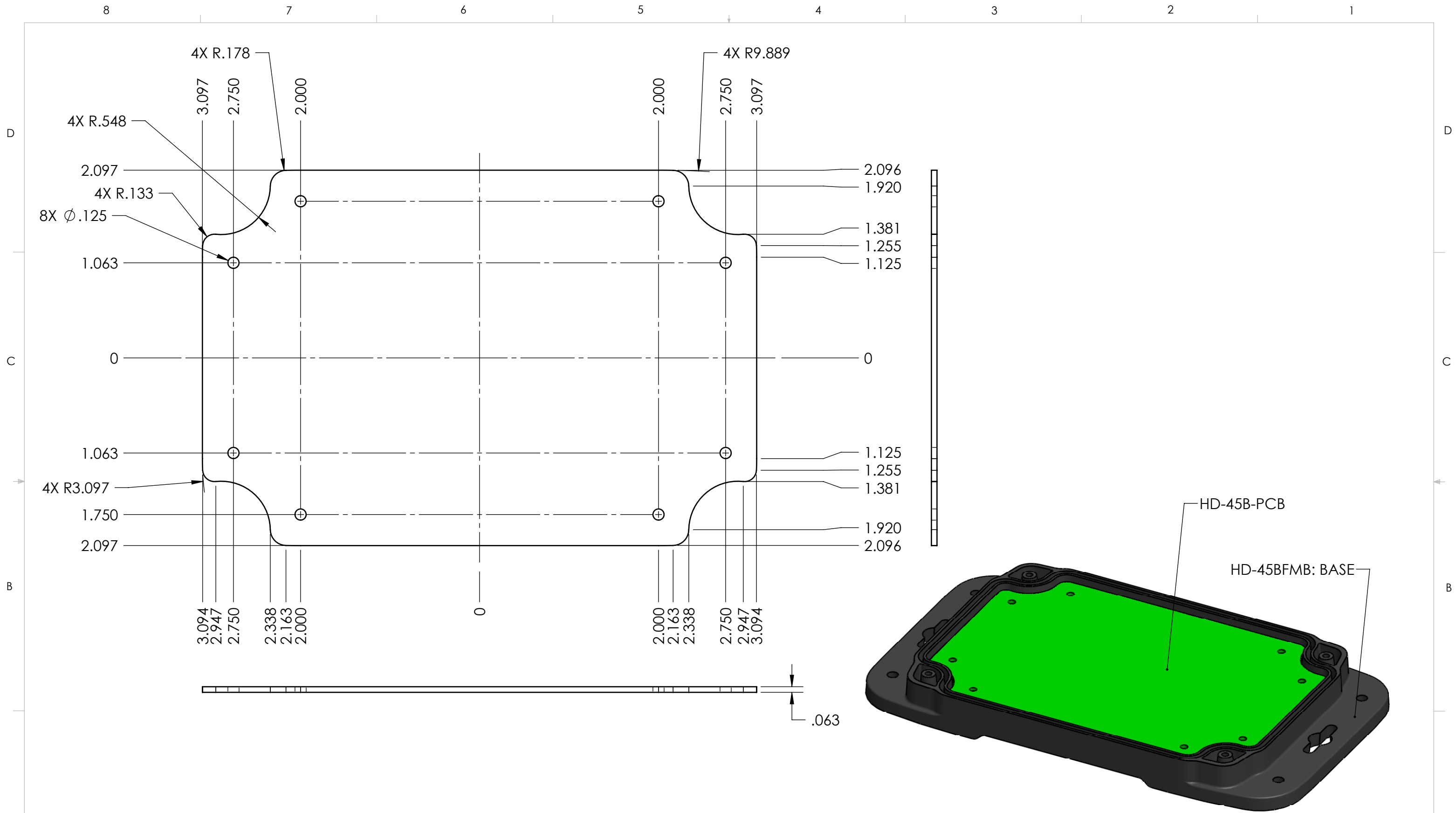
DETAIL B  
SCALE 8 : 1



**NOTES:**  
 1. MAT'L: SILICONE RUBBER  
 2. COLOR: TRANSLUCENT

ZONE	REV.	DESCRIPTION	BY	APPR'D	DATE
	1	INITIAL RELEASE	D.M.F.	B.M.B.	5/14/2008
REVISIONS					

<small>UNLESS OTHERWISE SPECIFIED:          DIMENSIONS ARE IN: INCHES (mm)          TOLERANCES: ANGULAR: ±2°          TWO PLACE DECIMAL: ±.03          THREE PLACE DECIMAL: ±.015</small>		DWG. NO. <b>GASKET-45*08</b> PRODUCT		 <small>1305 CHESTER IND. PARKWAY AVON, OHIO 44011-1083 U.S.A.          PH: 1-800-248-1233, 440-934-0444 FAX: 440-934-0088</small>
<small>PROPRIETARY AND CONFIDENTIAL          THE INFORMATION CONTAINED IN THIS          DRAWING IS THE SOLE PROPERTY OF          POLYCASE. ANY REPRODUCTION IN PART          OR AS A WHOLE WITHOUT THE WRITTEN          PERMISSION OF POLYCASE IS PROHIBITED.          CAD FILE: Gasket-45</small>		CLIENT -		
SIZE <b>C</b>		TITLE: <b>PRODUCT DETAIL          DRAWING</b>		REV <b>1</b>
SCALE: 1:1				SHEET 1 OF 1



NOTES:  
 1. PCB SIZES INCLUDE .03 CLEARANCE FROM INNER WALLS AND SCREW TOWERS WHEN UTILIZING THE MOUNTINGBOSES FOUND ON THE HD-45 BASE.  
 2. PCB BOSSES WILL ACCEPT A #4 X .250 LONG THREAD FORMING SCREW (SCREWS AVAILABLE FROM POLYCASE)

ZONE	REV.	DESCRIPTION	BY	APPR'D	DATE
	1	INITIAL RELEASE	D.M.F.	B.M.B.	5/14/2008
REVISIONS					

UNLESS OTHERWISE SPECIFIED:  
 DIMENSIONS ARE IN: INCHES[mm]  
 TOLERANCES: ANGULAR: ±2°  
 TWO PLACE DECIMAL: ±.010  
 THREE PLACE DECIMAL: ±.005

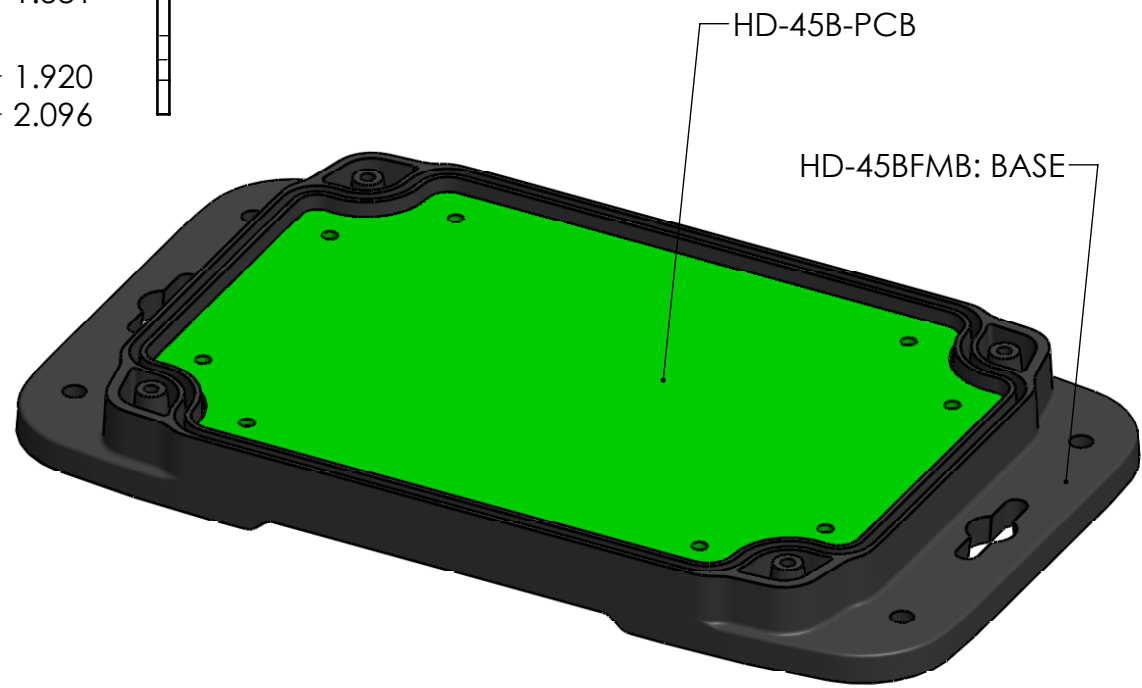
PROPRIETARY AND CONFIDENTIAL  
 THE INFORMATION CONTAINED IN THIS DRAWING IS THE SOLE PROPERTY OF POLYCASE. ANY REPRODUCTION IN PART OR AS A WHOLE WITHOUT THE WRITTEN PERMISSION OF POLYCASE IS PROHIBITED.

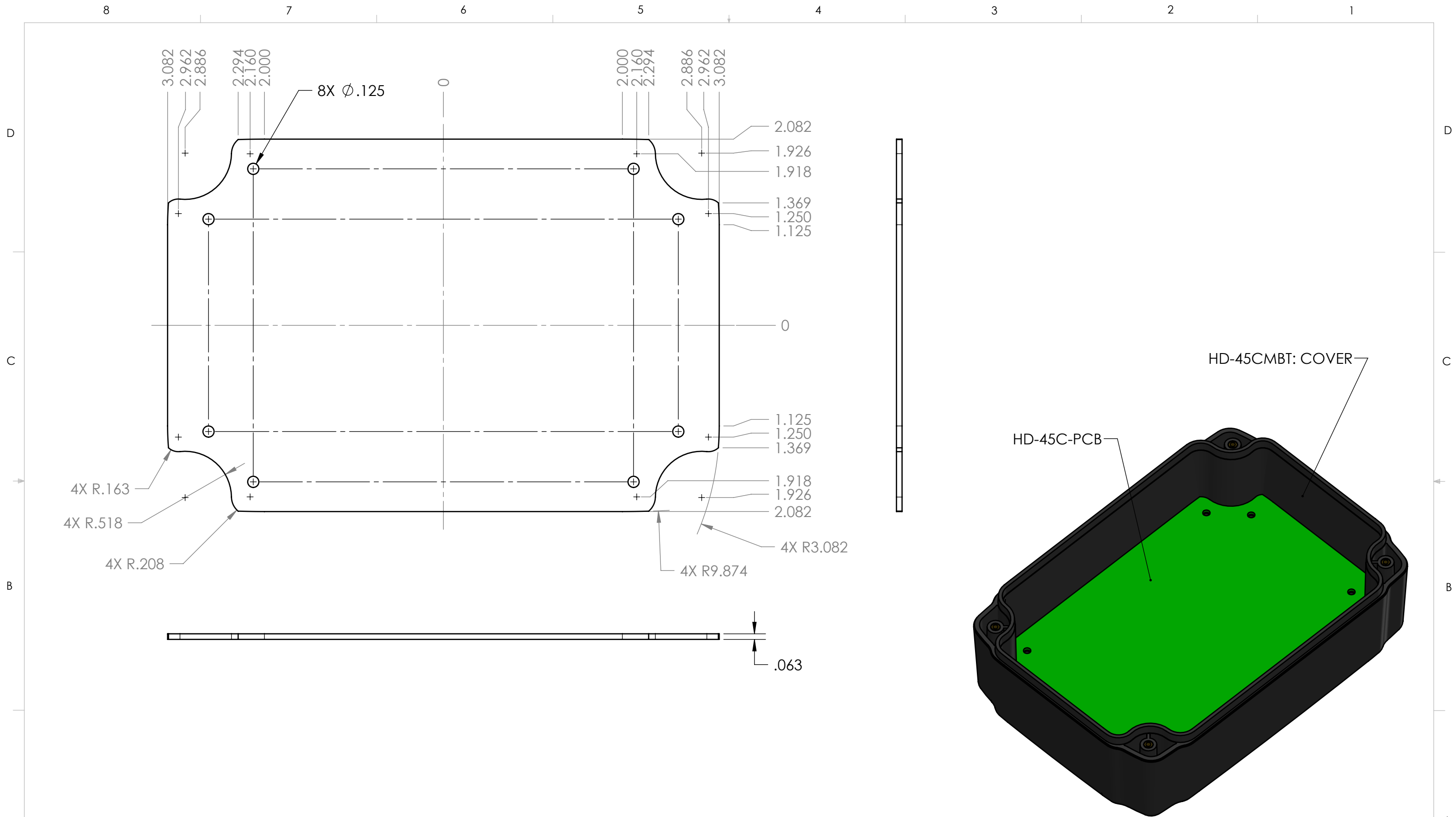
CAD FILE: HD-45B-PCB

DWG. NO. HD-45B-PCB		
PRODUCT -		
CLIENT -		
DRAWN	NAME	DATE
CHECKED	B.M.B.	5/14/2008

**POLYCASE™**  
 YOUR PERFECT FIT  
 1305 CHESTER IND. PARKWAY AVON, OHIO 44011-1083 U.S.A.  
 PH#: 1-800-248-1233, 440-934-0444 FAX#: 440-934-0088

SIZE <b>B</b>	TITLE: PRODUCT DETAIL DRAWING	REV <b>1</b>
SCALE: 1:1		
SHEET 1 OF 1		





- NOTES:
1. PCB SIZES INCLUDE .03 CLEARANCE FROM INNER WALLS AND SCREW TOWERS WHEN UTILIZING THE MOUNTINGBOSES FOUND ON THE HD-45 COVER
  2. PCB BOSSES WILL ACCEPT A #4 X .250 LONG THREAD FORMING SCREW (SCREWS AVAILABLE FROM POLYCASE)

REV.	DESCRIPTION	ZONE	BY	APPR'D	DATE
-	INITIAL RELEASE		D.M.F.	B.M.B.	5/14/2008
REVISIONS					

UNLESS OTHERWISE SPECIFIED:  
 DIMENSIONS ARE IN: INCHES[mm]  
 TOLERANCES: ANGULAR: ±2°  
 TWO PLACE DECIMAL: ±.010  
 THREE PLACE DECIMAL: ±.005

PROPRIETARY AND CONFIDENTIAL  
 THE INFORMATION CONTAINED IN THIS DRAWING IS THE SOLE PROPERTY OF POLYCASE. ANY REPRODUCTION IN PART OR AS A WHOLE WITHOUT THE WRITTEN PERMISSION OF POLYCASE IS PROHIBITED.

CAD FILE: HD-45C-PCB

DWG. NO. HD-45C-PCB		
PRODUCT -		
CLIENT -		
DRAWN	NAME	DATE
CHECKED	B.M.B.	5/14/2008

**POLYCASE™**  
 YOUR PERFECT FIT  
 1305 CHESTER IND. PARKWAY AVON, OHIO 44011-1083 U.S.A.  
 PH#: 1-800-248-1233, 440-934-0444 FAX#: 440-934-0088

SIZE <b>B</b>	TITLE: PRODUCT DETAIL DRAWING	REV -
SCALE: 1:1	SHEET 1 OF 1	