

## 14051Z 140x140x51MM



### General Specifications

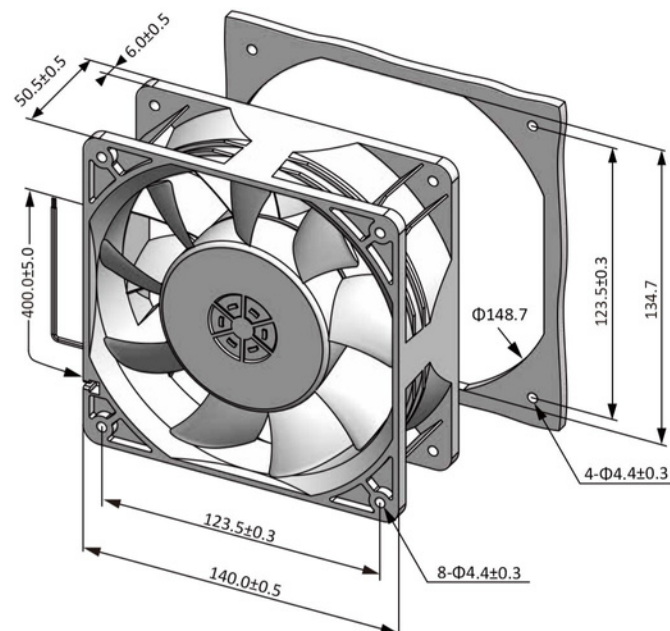
- ◆ Material..... Frame: Plastic (UL94V-0)  
Impeller: Plastic (UL94V-0)  
Lead Wire: UL1007AWG#24 or Equivalent (+) Red, (-) Black
- ◆ Expected Life..... Ball Bearing 70,000hrs (40°C)
- ◆ Temperature Range.... Operating Temperature -10°C~70°C (Non-condensing)  
Storage Temperature -40°C~70°C (Non-condensing)
- ◆ Safety Standards..... UL, TUV, RoHS, CE
- ◆ DC Fan Specials..... RD, FG, PWM, Temperature Control, IP56

### Specifications

Model	Rev	#Bearing Type	Rated Voltage	Operating Voltage	Input Current	Input Power	Speed	Max Air Flow		Max Static Pressure		Noise	Weight
Part No.	A	B	VDC	VDC	Amp	Watt	RPM	CFM	m <sup>3</sup> /min	Inch-H <sub>2</sub> O	Pa	dB-A	g
DZ14051B24H	F01	B	24	14.0~27.6	2.00	36.72	3600	281.42	7.97	0.83	206.78	62.6	670.0
DZ14051B24M	F01	B	24	14.0~27.6	1.20	21.84	3200	250.15	7.09	0.66	163.38	59.7	670.0
DZ14051B24L	F01	B	24	14.0~27.6	0.80	17.04	2800	218.88	6.20	0.50	125.09	56.4	670.0
DZ14051B48H	F01	B	48	28.0~56.0	1.00	36.96	3600	281.42	7.97	0.83	206.78	62.6	670.0
DZ14051B48M	F01	B	48	28.0~56.0	0.70	24.00	3200	250.15	7.09	0.66	163.38	59.7	670.0
DZ14051B48L	F01	B	48	28.0~56.0	0.50	17.28	2800	218.88	6.20	0.50	125.09	56.4	670.0

All model could be customized on voltage or any other requirements to fit your need.

### Dimensions (Unit:mm)



### PQ Curve (At Rated Voltage)

