

12038 120x120x38MM



General Specifications

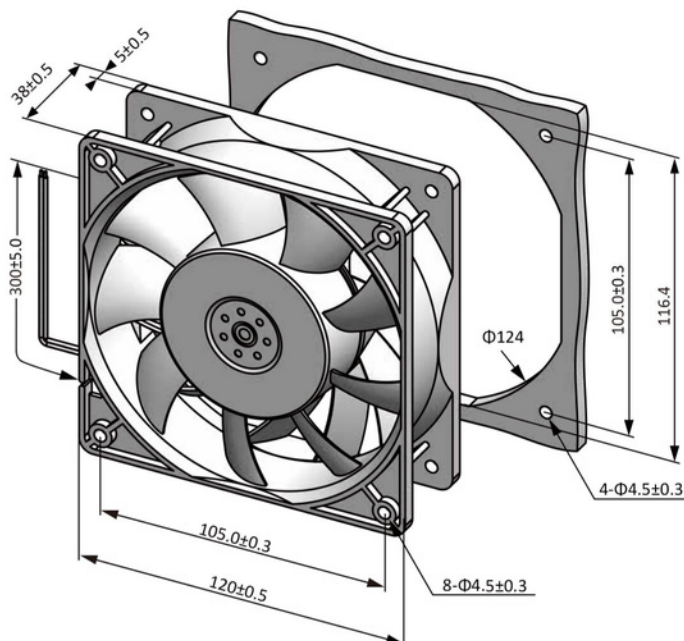
- ◆ Material..... Frame: Plastic (UL94V-0)
Impeller: Plastic (UL94V-0)
Lead Wire: UL1007AWG#24 or Equivalent (+) Red, (-) Black
- ◆ Expected Life..... Ball Bearing 70,000hrs (40°C)
- ◆ Temperature Range.... Operating Temperature -10°C~70°C (Non-condensing)
Storage Temperature -40°C~70°C (Non-condensing)
- ◆ Safety Standards..... UL, TUV, RoHS, CE
- ◆ DC Fan Specials..... RD, FG, PWM, Temperature Control , IP56

Specifications

Model	Rev	#Bearing Type	Rated Voltage	Operating Voltage	Input Current	Input Power	Speed	Max Air Flow		Max Static Pressure		Noise	Weight
Part No.	A	B	VDC	VDC	Amp	Watt	RPM	CFM	m ³ /min	Inch-H ₂ O	Pa	dB-A	g
DZ12038B12H	F02	B	12	7.0~13.8	2.50	30.00	4000	179.41	5.08	0.72	180.42	61.3	262.0
DZ12038B12M	F02	B	12	7.0~13.8	1.60	19.20	3500	157.78	4.47	0.56	139.56	58.3	262.0
DZ12038B12L	F02	B	12	7.0~13.8	1.00	12.00	3000	135.24	3.83	0.41	102.54	54.1	262.0
DZ12038B24U	F02	B	24	14.0~27.6	2.00	48.00	4500	201.84	5.72	0.92	228.35	63.9	262.0
DZ12038B24H	F02	B	24	14.0~27.6	1.00	24.00	4000	179.41	5.08	0.72	180.42	61.3	262.0
DZ12038B24M	F02	B	24	14.0~27.6	0.70	16.80	3500	157.78	4.47	0.56	139.56	58.3	262.0
DZ12038B24L	F02	B	24	14.0~27.6	0.50	12.00	3000	135.24	3.83	0.41	102.53	54.1	262.0
DZ12038B48U	F02	B	48	28.0~56.0	1.00	48.00	4500	201.84	5.72	0.92	228.35	63.9	262.0
DZ12038B48H	F02	B	48	28.0~56.0	0.60	28.80	4000	179.41	5.08	0.72	180.42	61.3	262.0
DZ12038B48M	F02	B	48	28.0~56.0	0.50	24.00	3500	157.78	4.47	0.56	139.56	58.3	262.0
DZ12038B48L	F02	B	48	28.0~56.0	0.40	19.20	3000	135.24	3.83	0.41	102.54	54.1	262.0

All model could be customized on voltage or any other requirements to fit your need.

Dimensions (Unit:mm)



PQ Curve (At Rated Voltage)

