

6038Z 60x60x38MM



General Specifications

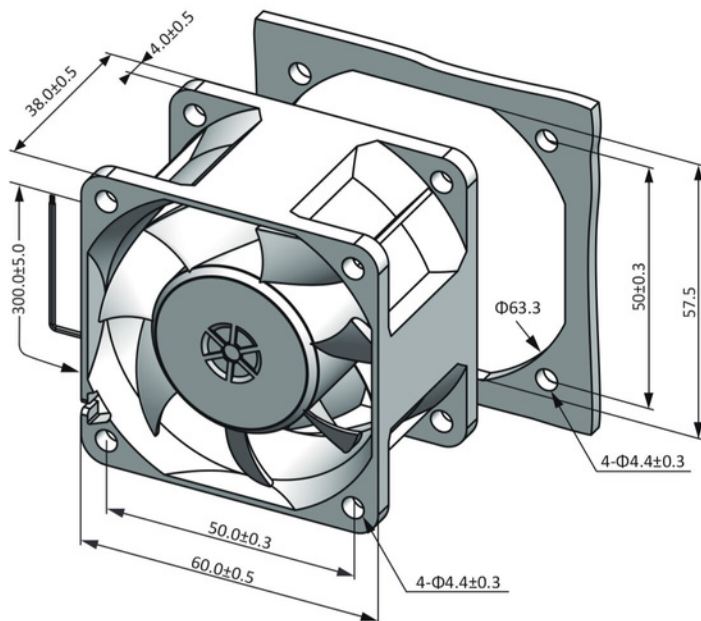
- ◆ Material..... Frame: Plastic (UL94V-0)
Impeller: Plastic (UL94V-0)
Lead Wire: UL1007AWG#24 or Equivalent (+) Red, (-) Black
- ◆ Expected Life..... Ball Bearing 70,000hrs (40°C)
- ◆ Temperature Range.... Operating Temperature -10°C~70°C (Non-condensing)
Storage Temperature -40°C~70°C (Non-condensing)
- ◆ Safety Standards..... UL, TUV, RoHS, CE
- ◆ DC Fan Specials..... RD, FG, PWM, Temperature Control, IP56

Specifications

Model	Rev	#Bearing Type	Rated Voltage	Operating Voltage	Input Current	Input Power	Speed	Max Air Flow		Max Static Pressure		Noise	Weight
Part No.	A	B	VDC	VDC	Amp	Watt	RPM	CFM	m ³ /min	Inch-H ₂ O	Pa	dB-A	g
DZ06038B12H	F01	B	12	7.0~13.8	1.00	12.00	9000	52.74	1.49	1.02	253.77	59.8	85.0
DZ06038B12M	F01	B	12	7.0~13.8	0.70	8.40	8000	47.34	1.34	0.82	205.50	56.5	85.0
DZ06038B12L	F01	B	12	7.0~13.8	0.50	6.00	7000	41.32	1.17	0.65	161.23	53.2	85.0
DZ06038B12D	F01	B	12	7.0~13.8	0.40	4.80	6000	35.33	1.00	0.47	117.47	49.1	85.0
DZ06038B24U	F01	B	24	14.0~27.6	0.65	15.60	10000	60.31	1.71	1.31	325.70	62.7	85.0
DZ06038B24H	F01	B	24	14.0~27.6	0.50	12.00	9000	52.74	1.49	1.02	253.77	59.8	85.0
DZ06038B24M	F01	B	24	14.0~27.6	0.35	8.40	8000	47.34	1.34	0.82	205.50	56.5	85.0
DZ06038B24L	F01	B	24	14.0~27.6	0.30	7.20	7000	41.32	1.17	0.65	161.23	53.2	85.0
DZ06038B24D	F01	B	24	14.0~27.6	0.25	6.00	6000	35.33	1.00	0.47	117.47	49.1	85.0
DZ06038B48U	F01	B	48	28.0~56.0	0.35	16.80	10000	60.31	1.71	1.31	325.70	62.7	85.0
DZ06038B48H	F01	B	48	28.0~56.0	0.30	14.40	9000	52.74	1.49	1.02	253.77	59.8	85.0
DZ06038B48M	F01	B	48	28.0~56.0	0.25	12.00	8000	47.34	1.34	0.82	205.50	56.5	85.0
DZ06038B48L	F01	B	48	28.0~56.0	0.20	9.60	7000	41.32	1.17	0.65	161.23	53.2	85.0
DZ06038B48D	F01	B	48	28.0~56.0	0.15	7.20	6000	35.33	1.00	0.47	117.47	49.1	85.0

All models could be customized on voltage or any other requirements to fit your need.

Dimensions (Unit:mm)



PQ Curve (At Rated Voltage)

