

4028Z 40x40x28MM



General Specifications

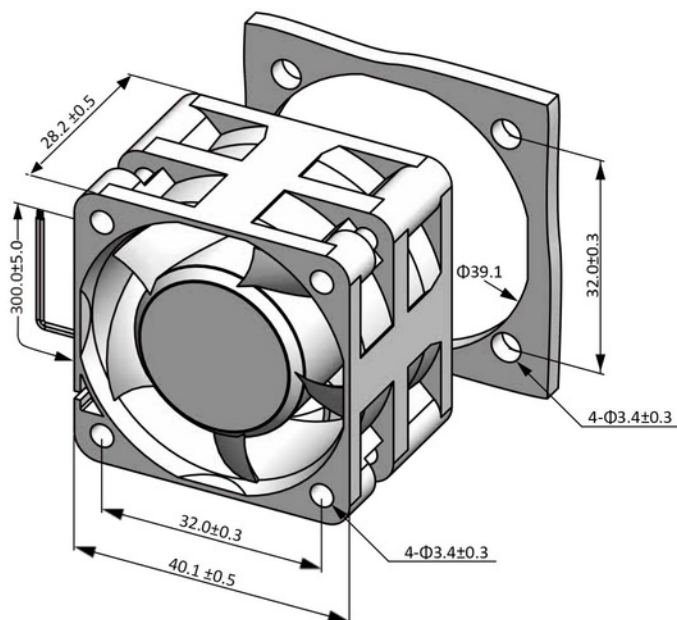
- ◆ Material..... Frame: Plastic (UL94V-0)
Impeller: Plastic (UL94V-0)
Lead Wire: UL1007AWG#24 or Equivalent (+) Red, (-) Black
- ◆ Expected Life..... Ball Bearing 70,000hrs (40°C)
- ◆ Temperature Range.... Operating Temperature -10°C~70°C (Non-condensing)
Storage Temperature -40°C~70°C (Non-condensing)
- ◆ Safety Standards..... UL, TUV, RoHS, CE
- ◆ DC Fan Specials..... RD, FG, PWM, IP56

Specifications

Model	Rev	#Bearing Type	Rated Voltage	Operating Voltage	Input Current	Input Power	Speed	Max Air Flow		Max Static Pressure		Noise	Weight
Part No.	A	B.S	VDC	VDC	Amp	Watt	RPM	CFM	m ³ /min	Inch-H ₂ O	Pa	dB-A	g
DZ04028#12U	F01	B	12	7.0~13.8	1.00	1.20	18000	27.76	0.79	1.63	406.93	62.4	40.0
DZ04028#12H	F01	B	12	7.0~13.8	0.65	7.80	15000	23.15	0.66	1.14	283.04	57.1	40.0
DZ04028#12M	F01	B	12	7.0~13.8	0.45	5.40	13000	19.78	0.56	0.86	212.99	53.0	40.0
DZ04028#12L	F01	B	12	7.0~13.8	0.25	3.00	10000	14.97	0.42	0.47	117.32	45.2	40.0
DZ04028#12D	F01	B	12	7.0~13.8	0.17	2.04	8000	12.25	0.35	0.27	66.21	39.9	40.0
DZ04028#24H	F01	B	24	14.0~27.6	0.35	8.40	15000	23.15	0.66	1.14	283.04	57.1	40.0
DZ04028#24M	F01	B	24	14.0~27.6	0.25	6.00	13000	19.78	0.56	0.86	212.99	53.0	40.0
DZ04028#24L	F01	B	24	14.0~27.6	0.14	3.36	10000	14.97	0.42	0.47	117.32	45.2	40.0
DZ04028#24D	F01	B	24	14.0~27.6	0.11	2.64	8000	12.25	0.35	0.27	66.21	39.9	40.0

All models could be customized on voltage or any other requirements to fit your need.

Dimensions (Unit:mm)



PQ Curve (At Rated Voltage)

