

9733

97x94x33MM



General Specifications

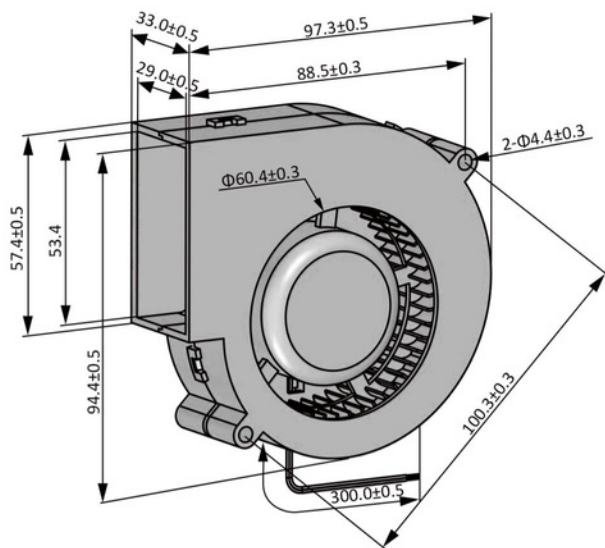
- ◆ Material..... Frame: Plastic (UL94V-0)
Impeller: Plastic (UL94V-0)
Lead Wire: UL1007AWG#24 or Equivalent (+) Red, (-) Black
- ◆ Expected Life..... Ball Bearing 70,000hrs (40°C)
Sleeve Bearing 30,000hrs (40°C)
- ◆ Temperature Range.... Operating Temperature -10°C~70°C (Non-condensing)
Storage Temperature -40°C~70°C (Non-condensing)
- ◆ Safety Standards..... UL, TUV, RoHS, CE
- ◆ DC Fan Specials..... RD, FG, PWM, Temperatrue Control, IP56

Specifications

Model	Rev	#Bearing Type	Rated Voltage	Operating Voltage	Input Current	Input Power	Speed	Max Air Flow		Max Static Pressure		Noise	Weight
Part No.	A	B	VDC	VDC	Amp	Watt	RPM	CFM	m ³ /min	Inch-H ₂ O	Pa	dB-A	g
DB09733B#12U	F01	B.S	12	7.0~13.8	4.00	48.00	4500	41.45	1.17	1.69	421.67	59.5	164.0
DB09733B#12H	F01	B.S	12	7.0~13.8	1.00	12.00	4000	35.80	1.01	1.33	330.22	56.3	164.0
DB09733B#12M	F01	B.S	12	7.0~13.8	0.60	7.20	3500	31.02	0.88	0.96	238.86	54.0	164.0
DB09733B#12L	F01	B.S	12	7.0~13.8	0.40	4.80	3000	26.45	0.75	0.70	173.78	50.2	164.0
DB09733B#24H	F01	B.S	24	14.0~27.6	0.80	19.20	4000	35.80	1.01	1.33	330.22	56.3	164.0
DB09733B#24M	F01	B.S	24	14.0~27.6	0.50	12.00	3500	31.02	0.88	0.96	238.86	54.0	164.0
DB09733B#24L	F01	B.S	24	14.0~27.6	0.30	7.20	3000	26.45	0.75	0.70	173.78	50.2	164.0

All models could be customized on voltage or any other requirements to fit your need.

Dimensions (Unit:mm)



PQ Curve (At Rated Voltage)

