

**7530**

**75x75x30MM**



**General Specifications**

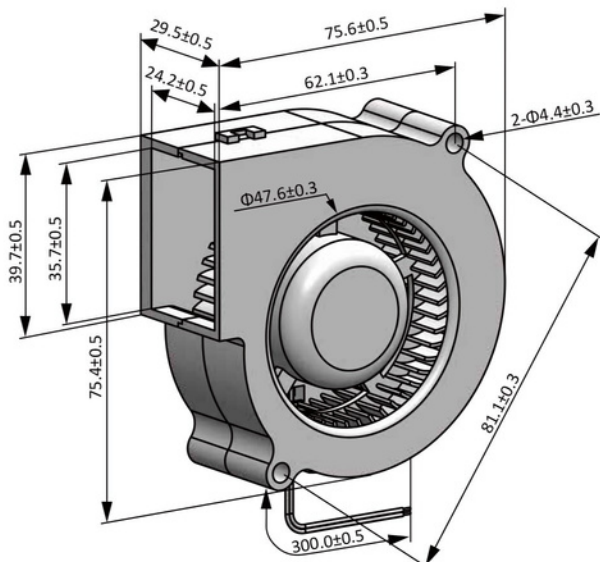
- ◆ Material..... Frame: Plastic (UL94V-0)  
Impeller: Plastic (UL94V-0)  
Lead Wire: UL1007AWG#24 or Equivalent (+) Red, (-) Black
- ◆ Expected Life..... Ball Bearing 70,000hrs (40°C)  
Sleeve Bearing 30,000hrs (40°C)
- ◆ Temperature Range.... Operating Temperature -10°C~70°C (Non-condensing)  
Storage Temperature -40°C~70°C (Non-condensing)
- ◆ Safety Standards..... UL, TUV, RoHS, CE
- ◆ DC Fan Specials..... RD, FG, PWM, Temperatrue Control, IP56

**Specifications**

Model	Rev	#Bearing Type	Rated Voltage	Operating Voltage	Input Current	Input Power	Speed	Max Air Flow		Max Static Pressure		Noise	Weight
Part No.	A	B	VDC	VDC	Amp	Watt	RPM	CFM	m <sup>3</sup> /min	Inch-H <sub>2</sub> O	Pa	dB-A	g
DB07530#12H	F01	B.S	12	7.0~13.8	0.60	7.20	4500	15.24	0.43	1.05	263.31	49.9	69.0
DB07530#12M	F01	B.S	12	7.0~13.8	0.45	5.40	4000	13.65	0.39	0.76	201.13	47.1	69.0
DB07530#12L	F01	B.S	12	7.0~13.8	0.35	4.20	3500	11.93	0.34	0.54	149.55	44.0	69.0
DB07530#24H	F01	B.S	24	14.0~27.6	0.30	7.20	4500	15.24	0.43	1.05	263.31	49.9	69.0
DB07530#24M	F01	B.S	24	14.0~27.6	0.25	6.00	4000	13.65	0.39	0.76	201.13	47.1	69.0
DB07530#24L	F01	B.S	24	14.0~27.6	0.20	4.80	3500	11.93	0.34	0.54	149.55	44.0	69.0

All models could be customized on voltage or any other requirements to fit your need.

**Dimensions (Unit:mm)**



**PQ Curve (At Rated Voltage)**

