

## 4510

## 45x45x10MM



### General Specifications

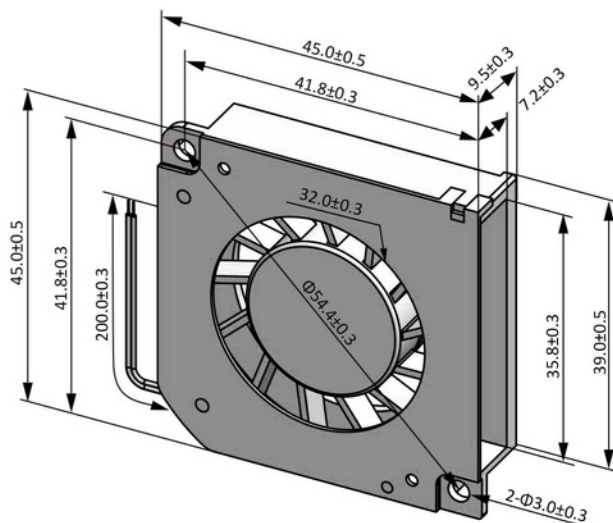
- ◆ Material..... Frame: Plastic (UL94V-0)  
Impeller: Plastic (UL94V-0)  
Lead Wire: UL1571AWG#28 or Equivalent (+) Red, (-) Black
- ◆ Expected Life..... Ball Bearing 70,000hrs (40°C)  
Sleeve Bearing 30,000hrs (40°C)
- ◆ Temperature Range.... Operating Temperature -10°C~70°C (Non-condensing)  
Storage Temperature -40°C~70°C (Non-condensing)
- ◆ Safety Standards..... UL, TUV, RoHS, CE
- ◆ DC Fan Specials..... RD, FG, PWM, IP56

### Specifications

Model	Rev	#Bearing Type	Rated Voltage	Operating Voltage	Input Current	Input Power	Speed	Max Air Flow		Max Static Pressure		Noise	Weight
Part No.	A	B	VDC	VDC	Amp	Watt	RPM	CFM	m <sup>3</sup> /min	Inch-H <sub>2</sub> O	Pa	dB-A	g
DB04510#05H	F01	B.S	5	3.5~5.5	0.30	1.50	5500	1.82	0.05	0.29	71.53	30.4	28.0
DB04510#05M	F01	B.S	5	3.5~5.5	0.25	1.25	5000	1.65	0.05	0.24	59.12	28.3	28.0
DB04510#05L	F01	B.S	5	3.5~5.5	0.20	1.00	4500	1.51	0.04	0.19	47.90	26.4	28.0
DB04510#05D	F01	B.S	5	3.5~5.5	0.15	0.70	4000	1.33	0.04	0.14	34.63	24.1	28.0
DB04510#12H	F01	B.S	12	7.0~13.8	0.15	1.80	5500	1.82	0.05	0.29	71.53	30.4	28.0
DB04510#12M	F01	B.S	12	7.0~13.8	0.12	1.44	5000	1.65	0.05	0.24	59.12	28.3	28.0
DB04510#12L	F01	B.S	12	7.0~13.8	0.10	1.20	4500	1.51	0.04	0.19	47.90	26.4	28.0
DB04510#12D	F01	B.S	12	7.0~13.8	0.08	0.96	4000	1.33	0.04	0.14	34.63	24.1	28.0

All models could be customized on voltage or any other requirements to fit your need.

### Dimensions (Unit:mm)



### PQ Curve (At Rated Voltage)

