

**4010**

**40x52x10MM**



**General Specifications**

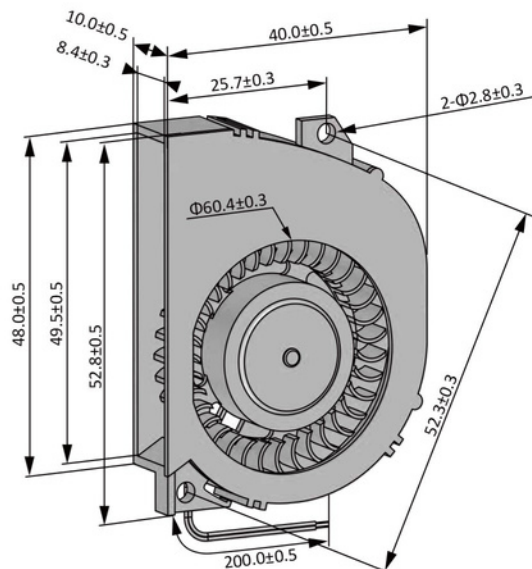
- ◆ Material..... Frame: Plastic (UL94V-0)  
Impeller: Plastic (UL94V-0)  
Lead Wire: UL1571AWG#28 or Equivalent (+) Red, (-) Black
- ◆ Expected Life..... Ball Bearing 70,000hrs (40°C)  
Sleeve Bearing 30,000hrs (40°C)
- ◆ Temperature Range.... Operating Temperature -10°C~70°C (Non-condensing)  
Storage Temperature -40°C~70°C (Non-condensing)
- ◆ Safety Standards..... UL, TUV, RoHS, CE
- ◆ DC Fan Specials..... RD, FG, PWM, IP56

**Specifications**

Model	Rev	#Bearing Type	Rated Voltage	Operating Voltage	Input Current	Input Power	Speed	Max Air Flow		Max Static Pressure		Noise	Weight
Part No.	A	B	VDC	VDC	Amp	Watt	RPM	CFM	m <sup>3</sup> /min	Inch-H <sub>2</sub> O	Pa	dB-A	g
DB04010#05H	F01	B.S	5	3.5~5.5	0.23	1.15	5500	3.18	0.09	0.34	84.17	33.5	21.0
DB04010#05M	F01	B.S	5	3.5~5.5	0.20	1.00	5000	2.87	0.08	0.27	66.77	29.9	21.0
DB04010#05L	F01	B.S	5	3.5~5.5	0.16	0.80	4500	2.62	0.07	0.22	55.29	27.9	21.0
DB04010#12H	F01	B.S	12	7.0~13.8	0.18	2.16	5500	3.18	0.09	0.34	84.17	33.5	21.0
DB04010#12M	F01	B.S	12	7.0~13.8	0.15	1.80	5000	2.87	0.08	0.27	66.77	29.9	21.0
DB04010#12L	F01	B.S	12	7.0~13.8	0.12	1.44	4500	2.62	0.07	0.22	55.29	27.9	21.0
DB04010#24H	F01	B.S	24	14.0~27.6	0.07	1.68	5500	3.18	0.09	0.34	84.17	33.5	21.0
DB04010#24M	F01	B.S	24	14.0~27.6	0.05	1.20	5000	2.87	0.08	0.27	66.77	29.9	21.0
DB04010#24L	F01	B.S	24	14.0~27.6	0.03	0.72	4500	2.62	0.07	0.22	55.29	27.9	21.0

All models could be customized on voltage or any other requirements to fit your need.

**Dimensions (Unit:mm)**



**PQ Curve (At Rated Voltage)**

