

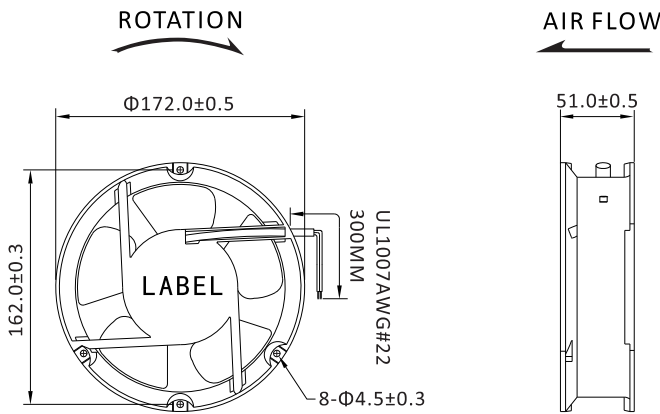
Φ172x51mm  
DC 12V, 24V, 48V R-Model



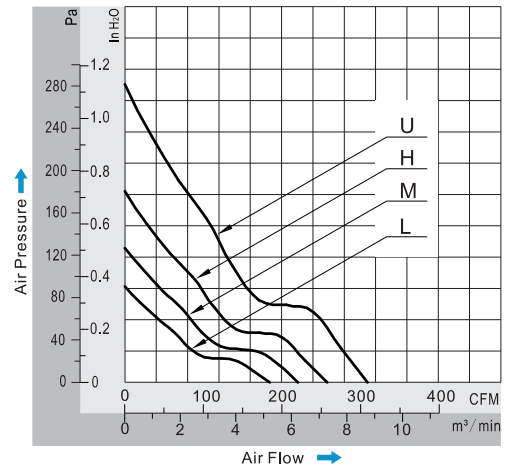
**General Specifications**

- Material..... Frame: Aluminum Alloy, Painted black  
Impeller: Plastic (UL94V-0)  
Lead Wire: UL1007AWG#22 or Equivalent (+)Red, (-)Black
- Expected Life..... Ball Bearing 50.000hrs (40°C)
- Temperature Range.. Operating temperature -10°C~+70°C (Non-condensing)  
Storage temperature -40°C~+70°C (Non-condensing)

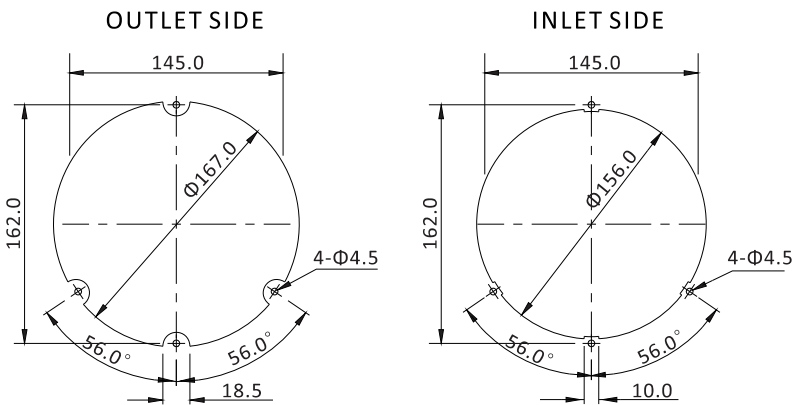
**Dimensions (Unit: mm)**



**PQ Curve (At Rated Voltage)**



**Mounting Panel Cutout (Unit: mm)**



**Safety Standards**



**DC Fans Specials**



**Specifications**

Model	Bearing Type	Rated Voltage	Operating Voltage	Rated Current	Input Power	Speed	Max Air Flow		Max Static Pressure		Noise	Weight
Part No.	B/S	VDC	VDC	Amp	Watt	RPM	CFM	m³/min	Inch-H2O	PA	dB-A	g
DA17251#12U/R	B	12	7,0~13,8	3,00	36,00	4000	305,29	8,640	1,14	284	67	740
DA17251#12H/R	B	12	7,0~13,8	2,00	24,00	3500	257,88	7,298	0,71	177	59	740
DA17251#12M/R	B	12	7,0~13,8	1,50	18,00	3000	220,85	6,250	0,52	130	51	740
DA17251#12L/R	B	12	7,0~13,8	1,00	12,00	2500	185,24	5,242	0,37	92	44	740
DA17251#24U/R	B	24	14,0~27,6	1,50	36,00	4000	305,29	8,640	1,14	284	67	740
DA17251#24H/R	B	24	14,0~27,6	1,00	24,00	3500	257,88	7,298	0,71	177	59	740
DA17251#24M/R	B	24	14,0~27,6	0,70	16,80	3000	220,85	6,250	0,52	130	51	740
DA17251#24L/R	B	24	14,0~27,6	0,50	12,00	2500	185,24	5,242	0,37	92	44	740
DA17251#48U/R	B	48	28,0~56,0	0,80	38,40	4000	305,29	8,640	1,14	284	67	740
DA17251#48H/R	B	48	28,0~56,0	0,60	28,80	3500	257,88	7,298	0,71	177	59	740
DA17251#48M/R	B	48	28,0~56,0	0,50	24,00	3000	220,85	6,250	0,52	130	51	740
DA17251#48L/R	B	48	28,0~56,0	0,40	19,20	2500	185,24	5,242	0,37	92	44	740