

**17040 170x154x40MM**



**General Specifications**

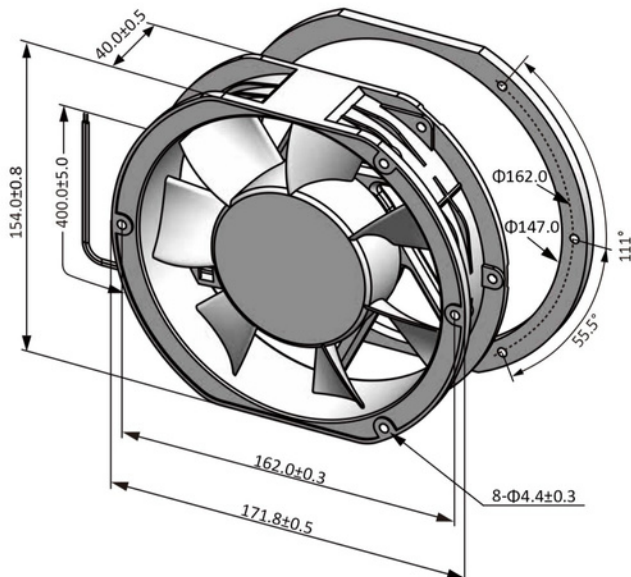
- ◆ Material..... Frame: Plastic (UL94V-0)  
Impeller: Plastic (UL94V-0)  
Lead Wire: UL1007AWG#20 or Equivalent (+) Red, (-) Black
- ◆ Expected Life..... Ball Bearing 70,000hrs (40°C)
- ◆ Temperature Range.... Operating Temperature -10°C~70°C (Non-condensing)  
Storage Temperature -40°C~70°C (Non-condensing)
- ◆ Safety Standards..... UL, TUV, RoHS, CE
- ◆ DC Fan Specials..... RD, FG, PWM, Temperature Control, IP56

**Specifications**

Model Part No.	Rev A	#Bearing Type B	Rated Voltage VDC	Operating Voltage VDC	Input Current Amp	Input Power Watt	Speed RPM	Max Air Flow		Max Static Pressure		Noise dB-A	Weight g
								CFM	m <sup>3</sup> /min	Inch-H <sub>2</sub> O	Pa		
DA17040#12H	F01	B	12	7.0~13.8	2.00	24.00	3000	190.89	5.41	0.55	137.14	60.0	503.0
DA17040#12M	F01	B	12	7.0~13.8	1.00	12.00	2500	162.86	4.61	0.38	95.89	54.8	503.0
DA17040#12L	F01	B	12	7.0~13.8	0.70	8.40	2000	133.09	3.77	0.26	64.30	53.2	503.0
DA17040#24U	F01	B	24	14.0~27.6	1.50	36.00	3500	225.32	6.38	0.77	190.75	64.0	503.0
DA17040#24H	F01	B	24	14.0~27.6	0.90	21.60	3000	190.89	5.41	0.55	137.14	60.0	503.0
DA17040#24M	F01	B	24	14.0~27.6	0.60	14.40	2500	162.86	4.61	0.38	95.89	54.8	503.0
DA17040#24L	F01	B	24	14.0~27.6	0.40	9.60	2000	133.09	3.77	0.26	64.30	53.2	503.0
DA17040#48U	F01	B	48	28.0~56.0	0.80	38.40	3500	225.32	6.38	0.77	190.75	64.0	503.0
DA17040#48H	F01	B	48	28.0~56.0	0.60	28.80	3000	190.89	5.41	0.55	137.14	60.0	503.0
DA17040#48M	F01	B	48	28.0~56.0	0.40	19.20	2500	162.86	4.61	0.38	95.89	54.8	503.0
DA17040#48L	F01	B	48	28.0~56.0	0.20	9.60	2000	133.09	3.77	0.26	64.30	53.2	503.0

All models could be customized on voltage or any other requirements to fit your need.

**Dimensions (Unit:mm)**



**PQ Curve (At Rated Voltage)**

