

12032 120x120x32MM



General Specifications

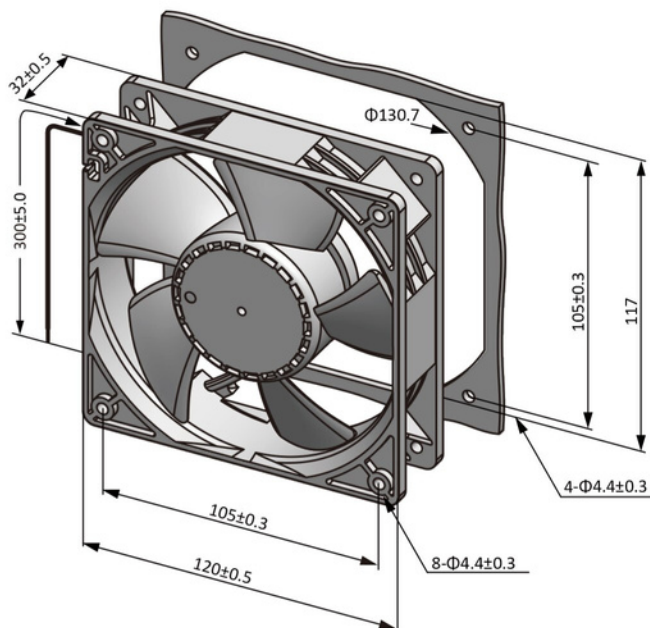
- ◆ Material..... Frame: Plastic (UL94V-0)
Impeller: Plastic (UL94V-0)
Lead Wire: UL1007AWG#24 or Equivalent (+) Red, (-) Black
- ◆ Expected Life..... Ball Bearing 70,000hrs (40°C)
- ◆ Temperature Range.... Operating Temperature -10°C~70°C (Non-condensing)
Storage Temperature -40°C~70°C (Non-condensing)
- ◆ Safety Standards..... UL, TUV, RoHS, CE
- ◆ DC Fan Specials..... RD, FG, PWM, IP56

Specifications

| Model | Rev | #Bearing Type | Rated Voltage | Operating Voltage | Input Current | Input Power | Speed | Max Air Flow | | Max Static Pressure | | Noise | Weight |
|-------------|-----|---------------|---------------|-------------------|---------------|-------------|-------|--------------|---------------------|-----------------------|-------|-------|--------|
| Part No. | A | B | VDC | VDC | Amp | Watt | RPM | CFM | m ³ /min | Inch-H ₂ O | Pa | dB-A | g |
| DA12032B12U | F02 | B | 12 | 7.0~13.8 | 2.00 | 24.00 | 3500 | 106.44 | 3.02 | 0.37 | 91.30 | 47.9 | 237.0 |
| DA12032B12H | F02 | B | 12 | 7.0~13.8 | 1.00 | 12.00 | 3000 | 91.85 | 2.60 | 0.29 | 71.76 | 43.8 | 237.0 |
| DA12032B12M | F02 | B | 12 | 7.0~13.8 | 0.80 | 9.60 | 2500 | 78.20 | 2.22 | 0.22 | 55.03 | 38.5 | 237.0 |
| DA12032B12L | F02 | B | 12 | 7.0~13.8 | 0.50 | 6.00 | 2000 | 61.26 | 1.74 | 0.14 | 35.40 | 33.0 | 237.0 |
| DA12032B24U | F02 | B | 24 | 14.0~27.6 | 1.00 | 24.00 | 3500 | 106.44 | 3.02 | 0.37 | 91.30 | 47.9 | 237.0 |
| DA12032B24H | F02 | B | 24 | 14.0~27.6 | 0.70 | 16.80 | 3000 | 91.85 | 2.60 | 0.29 | 71.76 | 43.8 | 237.0 |
| DA12032B24M | F02 | B | 24 | 14.0~27.6 | 0.50 | 12.00 | 2500 | 78.20 | 2.22 | 0.22 | 55.03 | 38.5 | 237.0 |
| DA12032B24L | F02 | B | 24 | 14.0~27.6 | 0.30 | 7.20 | 2000 | 61.26 | 1.74 | 0.14 | 35.40 | 33.0 | 237.0 |
| DA12032B48U | F02 | B | 48 | 28.0~56.0 | 0.60 | 28.80 | 3500 | 106.44 | 3.02 | 0.37 | 91.30 | 47.9 | 237.0 |
| DA12032B48H | F02 | B | 48 | 28.0~56.0 | 0.45 | 21.60 | 3000 | 91.85 | 2.60 | 0.29 | 71.76 | 43.8 | 237.0 |
| DA12032B48M | F02 | B | 48 | 28.0~56.0 | 0.25 | 12.00 | 2500 | 78.20 | 2.22 | 0.22 | 55.03 | 38.5 | 237.0 |
| DA12032B48L | F02 | B | 48 | 28.0~56.0 | 0.15 | 7.20 | 2000 | 61.26 | 1.74 | 0.14 | 35.40 | 33.0 | 237.0 |

All models could be customized on voltage or any other requirements to fit your need.

Dimensions (Unit:mm)



PQ Curve (At Rated Voltage)

