

12025 120x120x25MM



General Specifications

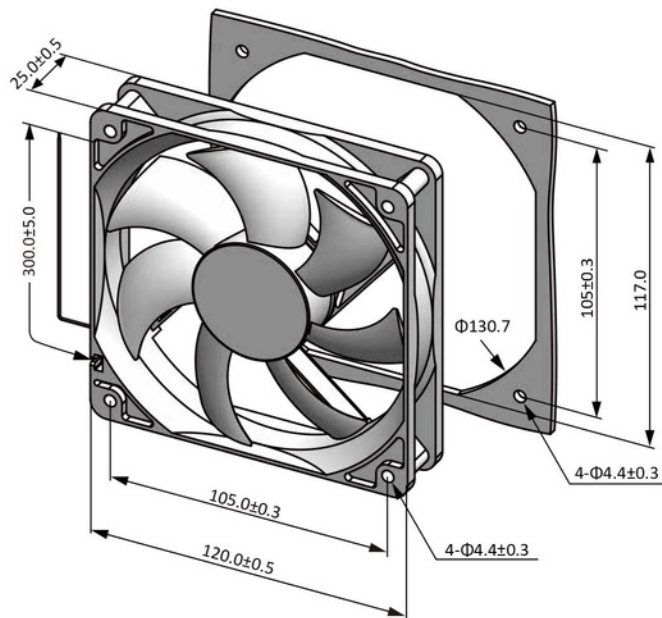
- ◆ Material..... Frame: Plastic (UL94V-0)
Impeller: Plastic (UL94V-0)
Lead Wire: UL1007AWG#24 or Equivalent (+) Red, (-) Black
- ◆ Expected Life..... Ball Bearing 70,000hrs (40°C)
Sleeve Bearing 30,000hrs (40°C)
- ◆ Temperature Range.... Operating Temperature -10°C~70°C (Non-condensing)
Storage Temperature -40°C~70°C (Non-condensing)
- ◆ Safety Standards..... UL, TUV, RoHS, CE
- ◆ DC Fan Specials..... RD, FG, PWM, IP56

Specifications

Model	Rev	#Bearing Type	Rated Voltage	Operating Voltage	Input Current	Input Power	Speed	Max Air Flow		Max Static Pressure		Noise	Weight
Part No.	A	B	VDC	VDC	Amp	Watt	RPM	CFM	m ³ /min	Inch-H ₂ O	Pa	dB-A	g
DA12025#12U	F01	B.S	12	7.0~13.8	0.80	9.60	3500	102.78	2.91	0.32	78.78	50.7	140.0
DA12025#12H	F01	B.S	12	7.0~13.8	0.50	6.00	3000	88.72	2.51	0.24	58.70	46.6	140.0
DA12025#12M	F01	B.S	12	7.0~13.8	0.40	4.80	2500	73.85	2.09	0.17	42.71	41.7	140.0
DA12025#12L	F01	B.S	12	7.0~13.8	0.20	2.40	2000	59.08	1.67	0.11	27.33	36.0	140.0
DA12025#24U	F01	B.S	24	14.0~27.6	0.50	12.00	3500	102.78	2.91	0.32	78.78	50.7	140.0
DA12025#24H	F01	B.S	24	14.0~27.6	0.40	9.60	3000	88.72	2.51	0.24	58.70	46.6	140.0
DA12025#24M	F01	B.S	24	14.0~27.6	0.25	6.00	2500	73.85	2.09	0.17	42.71	41.7	140.0
DA12025#24L	F01	B.S	24	14.0~27.6	0.15	3.60	2000	59.08	1.67	0.11	27.33	36.0	140.0
DA12025#48U	F01	B.S	48	28.0~56.0	0.40	19.20	3500	102.78	2.91	0.32	78.78	50.7	140.0
DA12025#48H	F01	B.S	48	28.0~56.0	0.30	14.40	3000	88.72	2.51	0.24	58.70	46.6	140.0
DA12025#48M	F01	B.S	48	28.0~56.0	0.20	9.60	2500	73.85	2.09	0.17	42.71	41.7	140.0
DA12025#48L	F01	B.S	48	28.0~56.0	0.10	4.80	2000	59.08	1.67	0.11	27.33	36.0	140.0

All models could be customized on voltage or any other requirements to fit your need.

Dimensions (Unit:mm)



PQ Curve (At Rated Voltage)

