

9232

92x92x32MM



General Specifications

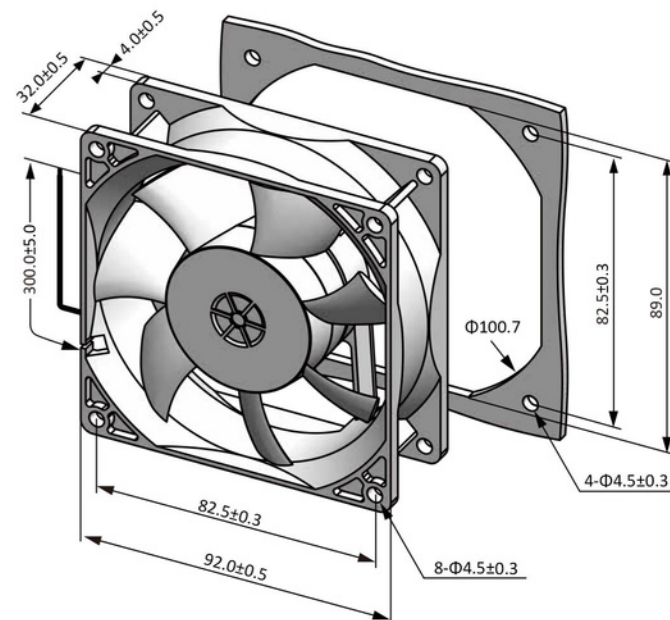
- ◆ Material..... Frame: Plastic (UL94V-0)
Impeller: Plastic (UL94V-0)
Lead Wire: UL1007AWG#24 or Equivalent (+) Red, (-) Black
- ◆ Expected Life..... Ball Bearing 70,000hrs (40°C)
- ◆ Temperature Range.... Operating Temperature -10°C~70°C (Non-condensing)
Storage Temperature -40°C~70°C (Non-condensing)
- ◆ Safety Standards..... UL, TUV, RoHS, CE
- ◆ DC Fan Specials..... RD, FG, PWM, IP56

Specifications

Model	Rev	#Bearing Type	Rated Voltage	Operating Voltage	Input Current	Input Power	Speed	Max Air Flow		Max Static Pressure		Noise	Weight
Part No.	A	B	VDC	VDC	Amp	Watt	RPM	CFM	m ³ /min	Inch-H ₂ O	Pa	dB-A	g
DA09232#12U	F01	B	12	7.0~13.8	2.50	30.00	6000	118.65	3.36	0.92	230.37	60.1	150.0
DA09232#12H	F01	B	12	7.0~13.8	1.80	21.60	5500	109.10	3.09	0.79	197.06	57.3	150.0
DA09232#12M	F01	B	12	7.0~13.8	1.20	14.40	5000	97.99	2.78	0.64	158.95	54.7	150.0
DA09232#12L	F01	B	12	7.0~13.8	0.90	10.80	4500	89.37	2.53	0.54	133.96	52.5	150.0
DA09232#24U	F01	B	24	14.0~27.6	1.50	36.00	6000	118.65	3.36	0.92	230.37	60.1	150.0
DA09232#24H	F01	B	24	14.0~27.6	1.00	24.00	5500	109.10	3.09	0.79	197.06	57.3	150.0
DA09232#24M	F01	B	24	14.0~27.6	0.80	19.20	5000	97.99	2.78	0.64	158.95	54.7	150.0
DA09232#24L	F01	B	24	14.0~27.6	0.60	14.40	4500	89.37	2.53	0.54	133.96	52.5	150.0
DA09232#48H	F01	B	48	28.0~56.0	0.60	28.80	5500	109.10	3.09	0.79	197.60	57.3	150.0
DA09232#48M	F01	B	48	28.0~56.0	0.40	19.20	5000	97.99	2.78	0.64	158.95	54.7	150.0
DA09232#48L	F01	B	48	28.0~56.0	0.30	14.40	4500	89.37	2.53	0.54	133.96	52.5	150.0

All models could be customized on voltage or any other requirements to fit your need.

Dimensions (Unit:mm)



PQ Curve (At Rated Voltage)

