

## 8025

## 80x80x25MM



### General Specifications

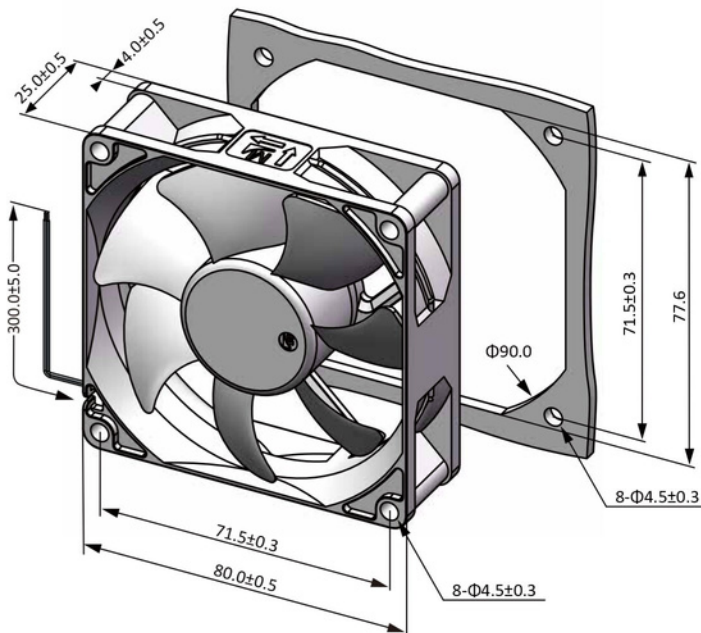
- ◆ Material..... Frame: Plastic (UL94V-0)  
Impeller: Plastic (UL94V-0)  
Lead Wire: UL1007AWG#24 or Equivalent (+) Red, (-) Black
- ◆ Expected Life..... Ball Bearing 70,000hrs (40°C)  
Sleeve Bearing 30,000hrs (40°C)
- ◆ Temperature Range.... Operating Temperature -10°C~70°C (Non-condensing)  
Storage Temperature -40°C~70°C (Non-condensing)
- ◆ Safety Standards..... UL, TUV, RoHS, CE
- ◆ DC Fan Specials..... RD, FG, PWM, IP56

### Specifications

Model	Rev	#Bearing Type	Rated Voltage	Operating Voltage	Input Current	Input Power	Speed	Max Air Flow		Max Static Pressure		Noise	Weight
Part No.	A	B	VDC	VDC	Amp	Watt	RPM	CFM	m <sup>3</sup> /min	Inch-H <sub>2</sub> O	Pa	dB-A	g
DA08025#12U	F01	B.S	12	7.0~13.8	0.50	6.00	4000	51.73	1.47	0.27	67.60	42.4	58.0
DA08025#12H	F01	B.S	12	7.0~13.8	0.40	4.80	3500	46.79	1.33	0.22	55.54	38.0	58.0
DA08025#12M	F01	B.S	12	7.0~13.8	0.30	3.60	3000	39.98	1.13	0.17	41.67	33.6	58.0
DA08025#12L	F01	B.S	12	7.0~13.8	0.20	2.40	2500	33.71	0.95	0.12	29.76	31.5	58.0
DA08025#12D	F01	B.S	12	7.0~13.8	0.10	1.20	2000	26.44	0.75	0.08	18.81	25.5	58.0
DA08025#24U	F01	B.S	24	14.0~27.6	0.40	9.60	4000	51.73	1.47	0.27	67.60	42.4	58.0
DA08025#24H	F01	B.S	24	14.0~27.6	0.30	7.20	3500	46.79	1.33	0.22	55.54	38.0	58.0
DA08025#24M	F01	B.S	24	14.0~27.6	0.20	4.80	3000	39.98	1.13	0.17	41.67	33.6	58.0
DA08025#24L	F01	B.S	24	14.0~27.6	0.15	3.60	2500	33.71	0.95	0.12	29.76	31.5	58.0
DA08025#24D	F01	B.S	24	14.0~27.6	0.10	2.40	2000	26.44	0.75	0.08	18.81	25.5	58.0
DA08025#48U	F01	B.S	48	28.0~56.0	0.30	14.40	4000	51.73	1.47	0.27	67.60	42.4	58.0
DA08025#48H	F01	B.S	48	28.0~56.0	0.25	12.00	3500	46.79	1.33	0.22	55.54	38.0	58.0
DA08025#48M	F01	B.S	48	28.0~56.0	0.20	9.60	3000	39.98	1.13	0.17	41.67	33.6	58.0
DA08025#48L	F01	B.S	48	28.0~56.0	0.15	7.20	2500	33.71	0.95	0.12	29.76	31.5	58.0

All models could be customized on voltage or any other requirements to fit your need.

### Dimensions (Unit:mm)



### PQ Curve (At Rated Voltage)

