

8020

80x80x20MM



General Specifications

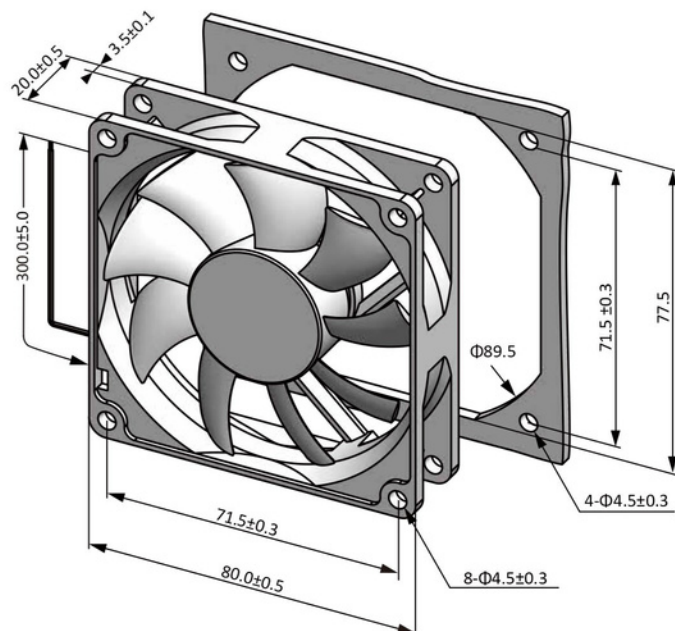
- ◆ Material..... Frame: Plastic (UL94V-0)
Impeller: Plastic (UL94V-0)
Lead Wire: UL1007AWG#24 or Equivalent (+) Red, (-) Black
- ◆ Expected Life..... Ball Bearing 70,000hrs (40°C)
Sleeve Bearing 30,000hrs (40°C)
- ◆ Temperature Range.... Operating Temperature -10°C~70°C (Non-condensing)
Storage Temperature -40°C~70°C (Non-condensing)
- ◆ Safety Standards..... UL, TUV, RoHS, CE
- ◆ DC Fan Specials..... RD, FG, PWM, IP56

Specifications

Model	Rev	#Bearing Type	Rated Voltage	Operating Voltage	Input Current	Input Power	Speed	Max Air Flow		Max Static Pressure		Noise	Weight
Part No.	A	B	VDC	VDC	Amp	Watt	RPM	CFM	m ³ /min	Inch-H ₂ O	Pa	dB-A	g
DA08020#12U	F01	B.S	12	7.0~13.8	0.35	4.20	3500	41.97	1.19	0.18	43.64	39.1	58.0
DA08020#12H	F01	B.S	12	7.0~13.8	0.28	3.36	3000	35.77	1.01	0.12	30.91	34.8	58.0
DA08020#12M	F01	B.S	12	7.0~13.8	0.18	2.16	2500	30.41	0.86	0.10	24.02	30.1	58.0
DA08020#12L	F01	B.S	12	7.0~13.8	0.13	1.56	2000	23.68	0.67	0.06	14.81	25.3	58.0
DA08020#24E	F01	B.S	24	14.0~27.6	0.35	8.40	5000	59.97	1.70	0.32	79.18	47.0	58.0
DA08020#24V	F01	B.S	24	14.0~27.6	0.28	6.72	4500	53.97	1.53	0.26	64.14	44.7	58.0
DA08020#24X	F01	B.S	24	14.0~27.6	0.22	5.28	4000	48.77	1.38	0.23	57.22	42.1	58.0
DA08020#24U	F01	B.S	24	14.0~27.6	0.18	4.32	3500	41.97	1.19	0.18	43.64	39.1	58.0
DA08020#24H	F01	B.S	24	14.0~27.6	0.14	3.36	3000	35.77	1.01	0.12	30.91	34.8	58.0
DA08020#24M	F01	B.S	24	14.0~27.6	0.10	2.40	2500	30.41	0.86	0.10	24.02	30.1	58.0
DA08020#24L	F01	B.S	24	14.0~27.6	0.07	1.68	2000	23.68	0.67	0.06	14.81	25.3	58.0

All models could be customized on voltage or any other requirements to fit your need.

Dimensions (Unit:mm)



PQ Curve (At Rated Voltage)

