

8015

80x80x15MM



General Specifications

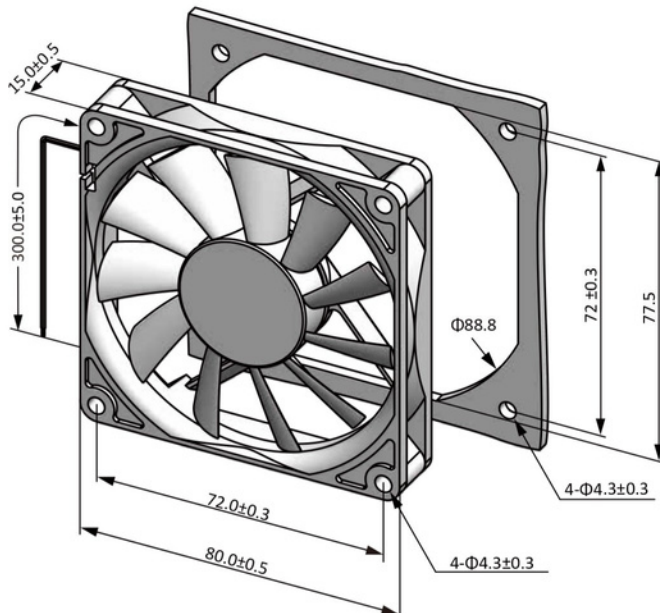
- ◆ Material..... Frame: Plastic (UL94V-0)
Impeller: Plastic (UL94V-0)
Lead Wire: UL1007AWG#24 or Equivalent (+) Red, (-) Black
- ◆ Expected Life..... Ball Bearing 70,000hrs (40°C)
Sleeve Bearing 30,000hrs (40°C)
- ◆ Temperature Range.... Operating Temperature -10°C~70°C (Non-condensing)
Storage Temperature -40°C~70°C (Non-condensing)
- ◆ Safety Standards..... UL, TUV, RoHS, CE
- ◆ DC Fan Specials..... RD, FG, PWM, IP56

Specifications

Model	Rev	#Bearing Type	Rated Voltage	Operating Voltage	Input Current	Input Power	Speed	Max Air Flow		Max Static Pressure		Noise	Weight
Part No.	A	B	VDC	VDC	Amp	Watt	RPM	CFM	m ³ /min	Inch-H ₂ O	Pa	dB-A	g
DA08015#12H	F01	B.S	12	7.0~13.8	0.30	3.60	3000	34.09	0.97	0.12	30.61	32.6	54.0
DA08015#12M	F01	B.S	12	7.0~13.8	0.20	2.40	2500	28.18	0.80	0.09	21.76	28.2	54.0
DA08015#12L	F01	B.S	12	7.0~13.8	0.12	1.44	2000	22.79	0.65	0.06	14.61	24.5	54.0
DA08015#24H	F01	B.S	24	14.0~27.6	0.18	4.32	3000	34.09	0.97	0.12	30.61	32.6	54.0
DA08015#24M	F01	B.S	24	14.0~27.6	0.15	3.60	2500	28.18	0.80	0.09	21.76	28.2	54.0
DA08015#24L	F01	B.S	24	14.0~27.6	0.10	2.40	2000	22.79	0.65	0.06	14.61	24.5	54.0

All models could be customized on voltage or any other requirements to fit your need.

Dimensions (Unit:mm)



PQ Curve (At Rated Voltage)

