

7025

70x70x25MM



General Specifications

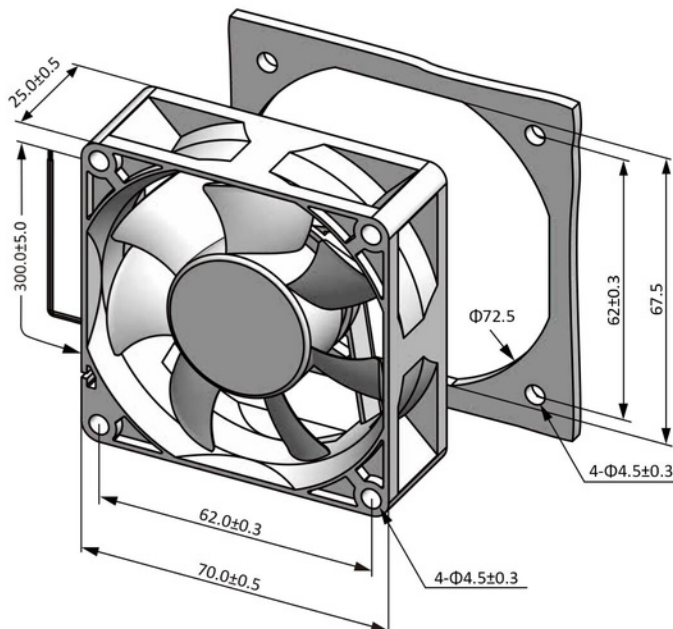
- ◆ Material..... Frame: Plastic (UL94V-0)
Impeller: Plastic (UL94V-0)
Lead Wire: UL1007AWG#24 or Equivalent (+) Red, (-) Black
- ◆ Expected Life..... Ball Bearing 70,000hrs (40°C)
Sleeve Bearing 30,000hrs (40°C)
- ◆ Temperature Range.... Operating Temperature -10°C~70°C (Non-condensing)
Storage Temperature -40°C~70°C (Non-condensing)
- ◆ Safety Standards..... UL, TUV, RoHS, CE
- ◆ DC Fan Specials..... RD, FG, PWM, IP56

Specifications

Model	Rev	#Bearing Type	Rated Voltage	Operating Voltage	Input Current	Input Power	Speed	Max Air Flow		Max Static Pressure		Noise	Weight
Part No.	A	B	VDC	VDC	Amp	Watt	RPM	CFM	m ³ /min	Inch-H ₂ O	Pa	dB-A	g
DA07025#12U	F01	B.S	12	7.0~13.8	0.30	3.60	4500	35.03	0.99	0.28	70.75	38.2	52.0
DA07025#12H	F01	B.S	12	7.0~13.8	0.25	3.00	4000	30.85	0.87	0.22	54.47	34.8	52.0
DA07025#12M	F01	B.S	12	7.0~13.8	0.20	2.40	3500	27.21	0.77	0.17	43.19	31.1	52.0
DA07025#12L	F01	B.S	12	7.0~13.8	0.15	1.80	3000	23.07	0.65	0.13	31.68	27.2	52.0
DA07025#24U	F01	B.S	24	14.0~27.6	0.20	4.80	4500	35.03	0.99	0.28	70.75	38.2	52.0
DA07025#24H	F01	B.S	24	14.0~27.6	0.16	3.84	4000	30.85	0.87	0.22	54.47	34.8	52.0
DA07025#24M	F01	B.S	24	14.0~27.6	0.12	2.88	3500	27.21	0.77	0.17	43.19	31.1	52.0
DA07025#24L	F01	B.S	24	14.0~27.6	0.08	1.92	3000	23.07	0.65	0.13	31.68	27.2	52.0

All models could be customized on voltage or any other requirements to fit your need.

Dimensions (Unit:mm)



PQ Curve (At Rated Voltage)

