

**6025**

**60x60x25MM**



**General Specifications**

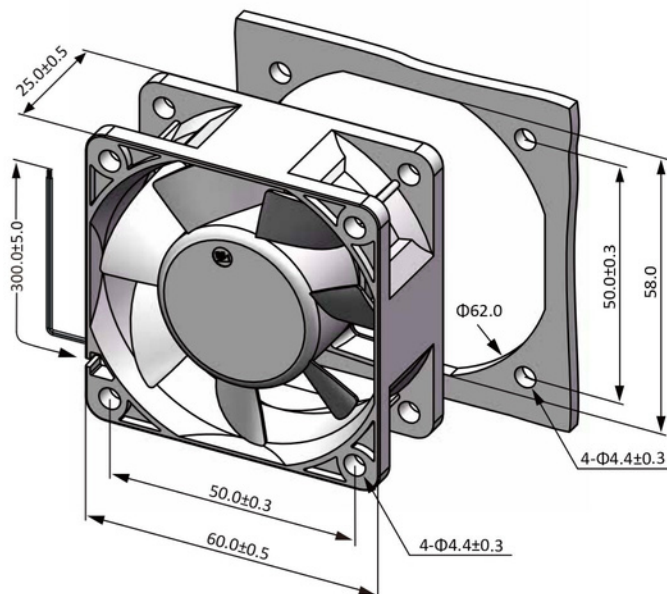
- ◆ Material..... Frame: Plastic (UL94V-0)  
Impeller: Plastic (UL94V-0)  
Lead Wire: UL1007AWG#24 or Equivalent (+) Red, (-) Black
- ◆ Expected Life..... Ball Bearing 70,000hrs (40°C)  
Sleeve Bearing 30,000hrs (40°C)
- ◆ Temperature Range.... Operating Temperature -10°C~70°C (Non-condensing)  
Storage Temperature -40°C~70°C (Non-condensing)
- ◆ Safety Standards..... UL, TUV, RoHS, CE
- ◆ DC Fan Specials..... RD, FG, PWM, IP56

**Specifications**

Model	Rev	#Bearing Type	Rated Voltage	Operating Voltage	Input Current	Input Power	Speed	Max Air Flow		Max Static Pressure		Noise	Weight
Part No.	A	B	VDC	VDC	Amp	Watt	RPM	CFM	m <sup>3</sup> /min	Inch-H <sub>2</sub> O	Pa	dB-A	g
DA06025#12U	F01	B.S	12	7.0~13.8	0.45	5.40	6000	31.75	0.90	0.42	103.77	42.9	56.0
DA06025#12H	F01	B.S	12	7.0~13.8	0.25	3.00	5000	26.55	0.75	0.29	72.55	37.1	56.0
DA06025#12M	F01	B.S	12	7.0~13.8	0.18	2.16	4000	21.08	0.60	0.18	44.21	31.6	56.0
DA06025#12L	F01	B.S	12	7.0~13.8	0.10	1.20	3000	15.80	0.45	0.10	25.92	25.5	56.0
DA06025#12D	F01	B.S	12	7.0~13.8	0.06	0.72	2000	10.15	0.29	0.05	11.44	21.2	56.0
DA06025#24U	F01	B.S	24	14.0~27.6	0.25	6.00	6000	31.75	0.90	0.42	103.77	42.9	56.0
DA06025#24H	F01	B.S	24	14.0~27.6	0.18	4.32	5000	26.55	0.75	0.29	72.55	37.1	56.0
DA06025#24M	F01	B.S	24	14.0~27.6	0.15	3.60	4000	21.08	0.60	0.18	44.21	31.6	56.0
DA06025#24L	F01	B.S	24	14.0~27.6	0.10	2.40	3000	15.80	0.45	0.10	25.92	25.5	56.0
DA06025#48U	F01	B.S	48	28.0~56.0	0.18	8.64	6000	10.15	0.29	0.05	103.77	21.2	56.0
DA06025#48H	F01	B.S	48	28.0~56.0	0.12	5.76	5000	26.55	0.75	0.29	72.55	37.1	56.0
DA06025#48M	F01	B.S	48	28.0~56.0	0.08	3.84	4000	21.08	0.60	0.18	44.21	31.6	56.0
DA06025#48L	F01	B.S	48	28.0~56.0	0.06	2.88	3000	15.80	0.45	0.10	25.92	25.5	56.0

All models could be customized on voltage or any other requirements to fit your need.

**Dimensions (Unit:mm)**



**PQ Curve (At Rated Voltage)**

