

6020

60x60x20MM



General Specifications

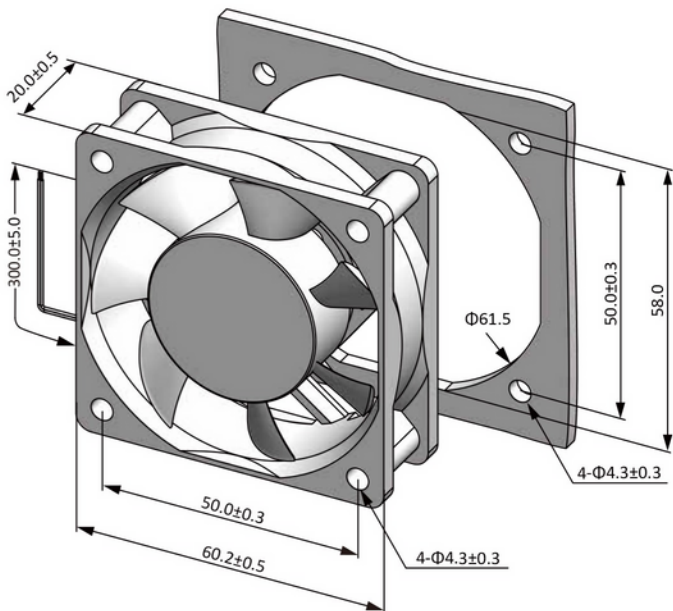
- ◆ Material..... Frame: Plastic (UL94V-0)
Impeller: Plastic (UL94V-0)
Lead Wire: UL1007AWG#24 or Equivalent (+) Red, (-) Black
- ◆ Expected Life..... Ball Bearing 70,000hrs (40°C)
Sleeve Bearing 30,000hrs (40°C)
- ◆ Temperature Range.... Operating Temperature -10°C~70°C (Non-condensing)
Storage Temperature -40°C~70°C (Non-condensing)
- ◆ Safety Standards..... UL, TUV, RoHS, CE
- ◆ DC Fan Specials..... RD, FG, PWM, IP56

Specifications

Model	Rev	#Bearing Type	Rated Voltage	Operating Voltage	Input Current	Input Power	Speed	Max Air Flow		Max Static Pressure		Noise	Weight
Part No.	A	B	VDC	VDC	Amp	Watt	RPM	CFM	m ³ /min	Inch-H ₂ O	Pa	dB-A	g
DA06020#12U	F01	B.S	12	7.0~13.8	0.25	3.00	5000	23.66	0.67	0.25	61.25	37.5	52.0
DA06020#12H	F01	B.S	12	7.0~13.8	0.20	2.40	4500	21.34	0.60	0.20	49.99	33.7	52.0
DA06020#12M	F01	B.S	12	7.0~13.8	0.16	1.92	4000	18.82	0.53	0.16	40.18	31.7	52.0
DA06020#12L	F01	B.S	12	7.0~13.8	0.12	1.44	3500	16.53	0.47	0.12	30.97	28.1	52.0
DA06020#12D	F01	B.S	12	7.0~13.8	0.10	1.20	3000	13.99	0.40	0.09	22.18	24.5	52.0
DA06020#24U	F01	B.S	24	14.0~27.6	0.16	3.84	5000	23.66	0.67	0.25	61.25	37.5	52.0
DA06020#24H	F01	B.S	24	14.0~27.6	0.14	3.36	4500	21.34	0.60	0.20	49.99	33.7	52.0
DA06020#24M	F01	B.S	24	14.0~27.6	0.12	2.88	4000	18.82	0.53	0.16	40.18	31.7	52.0
DA06020#24L	F01	B.S	24	14.0~27.6	0.10	2.40	3500	16.53	0.47	0.12	30.97	28.1	52.0

All models could be customized on voltage or any other requirements to fit your need.

Dimensions (Unit:mm)



PQ Curve (At Rated Voltage)

