

6015

60x60x15MM



General Specifications

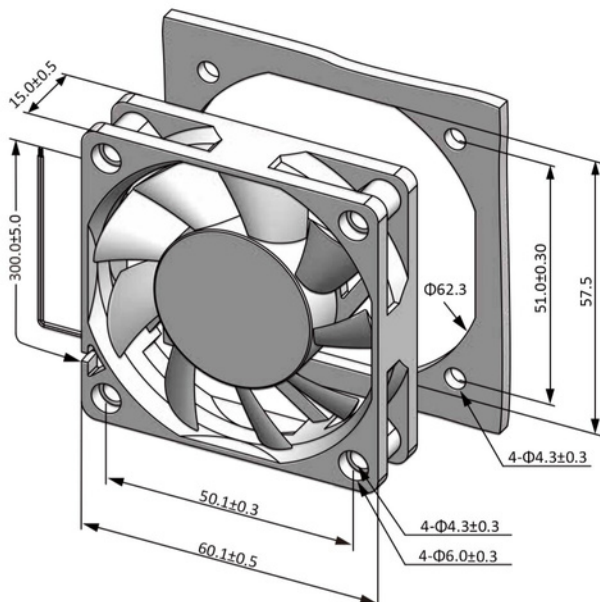
- ◆ Material..... Frame: Plastic (UL94V-0)
Impeller: Plastic (UL94V-0)
Lead Wire: UL1571AWG#24 or Equivalent (+) Red, (-) Black
- ◆ Expected Life..... Ball Bearing 70,000hrs (40°C)
Sleeve Bearing 30,000hrs (40°C)
- ◆ Temperature Range.... Operating Temperature -10°C~70°C (Non-condensing)
Storage Temperature -40°C~70°C (Non-condensing)
- ◆ Safety Standards..... UL, TUV, RoHS, CE
- ◆ DC Fan Specials..... RD, FG, PWM, IP56

Specifications

| Model | Rev | #Bearing Type | Rated Voltage | Operating Voltage | Input Current | Input Power | Speed | Max Air Flow | | Max Static Pressure | | Noise | Weight |
|-------------|-----|---------------|---------------|-------------------|---------------|-------------|-------|--------------|---------------------|-----------------------|-------|-------|--------|
| Part No. | A | B | VDC | VDC | Amp | Watt | RPM | CFM | m ³ /min | Inch-H ₂ O | Pa | dB-A | g |
| DA06015#05H | F01 | B.S | 5 | 3.5~5.5 | 0.58 | 2.90 | 4000 | 18.64 | 0.53 | 0.16 | 39.20 | 31.9 | 42.0 |
| DA06015#05M | F01 | B.S | 5 | 3.5~5.5 | 0.40 | 2.00 | 3500 | 16.62 | 0.47 | 0.13 | 31.17 | 28.7 | 42.0 |
| DA06015#05L | F01 | B.S | 5 | 3.5~5.5 | 0.25 | 1.25 | 3000 | 13.89 | 0.39 | 0.09 | 22.51 | 25.7 | 42.0 |
| DA06015#12U | F01 | B.S | 12 | 7.0~13.8 | 0.30 | 3.60 | 5000 | 23.18 | 0.66 | 0.22 | 54.63 | 37.8 | 42.0 |
| DA06015#12H | F01 | B.S | 12 | 7.0~13.8 | 0.22 | 2.64 | 4500 | 20.86 | 0.59 | 0.18 | 44.26 | 35.8 | 42.0 |
| DA06015#12M | F01 | B.S | 12 | 7.0~13.8 | 0.18 | 2.16 | 4000 | 18.64 | 0.53 | 0.16 | 39.20 | 31.9 | 42.0 |
| DA06015#12L | F01 | B.S | 12 | 7.0~13.8 | 0.15 | 1.80 | 3500 | 16.62 | 0.47 | 0.13 | 31.17 | 28.7 | 42.0 |
| DA06015#12D | F01 | B.S | 12 | 7.0~13.8 | 0.12 | 1.44 | 3000 | 13.89 | 0.39 | 0.09 | 22.51 | 25.7 | 42.0 |
| DA06015#24H | F01 | B.S | 24 | 14.0~27.6 | 0.16 | 3.84 | 4500 | 20.86 | 0.59 | 0.18 | 44.26 | 35.8 | 42.0 |
| DA06015#24M | F01 | B.S | 24 | 14.0~27.6 | 0.12 | 2.88 | 4000 | 18.64 | 0.53 | 0.16 | 39.20 | 31.9 | 42.0 |
| DA06015#24L | F01 | B.S | 24 | 14.0~27.6 | 0.10 | 2.40 | 3500 | 16.62 | 0.47 | 0.13 | 31.17 | 28.7 | 42.0 |

All models could be customized on voltage or any other requirements to fit your need.

Dimensions (Unit:mm)



PQ Curve (At Rated Voltage)

