

6010

60x60x10MM



General Specifications

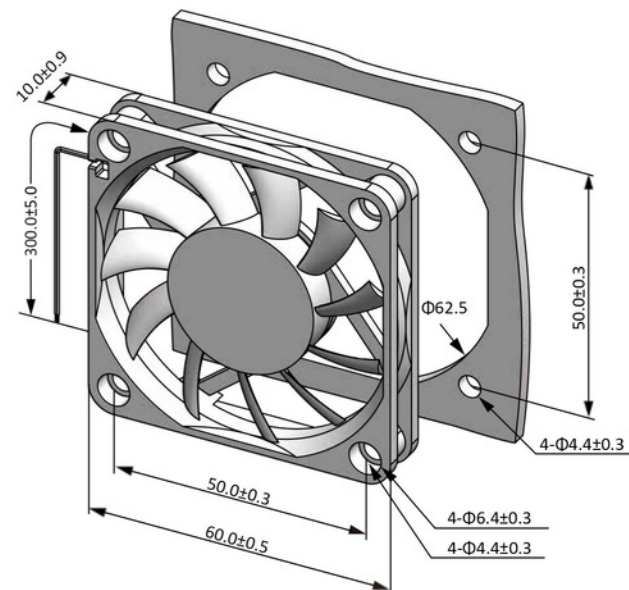
- ◆ Material..... Frame: Plastic (UL94V-0)
Impeller: Plastic (UL94V-0)
Lead Wire: UL1007AWG#26 or Equivalent (+) Red, (-) Black
- ◆ Expected Life..... Ball Bearing 70,000hrs (40°C)
Sleeve Bearing 30,000hrs (40°C)
- ◆ Temperature Range.... Operating Temperature -10°C~70°C (Non-condensing)
Storage Temperature -40°C~70°C (Non-condensing)
- ◆ Safety Standards..... UL, TUV, RoHS, CE
- ◆ DC Fan Specials..... RD, FG, IP56

Specifications

Model	Rev	#Bearing Type	Rated Voltage	Operating Voltage	Input Current	Input Power	Speed	Max Air Flow		Max Static Pressure		Noise	Weight
Part No.	A	B	VDC	VDC	Amp	Watt	RPM	CFM	m ³ /min	Inch-H ₂ O	Pa	dB-A	g
DA06010#05H	F01	B.S	5	3.5~5.5	0.30	1.50	4000	16.63	0.47	0.10	26.09	31.8	26.0
DA06010#05M	F01	B.S	5	3.5~5.5	0.17	0.85	3000	12.34	0.35	0.06	14.78	26.4	26.0
DA06010#05L	F01	B.S	5	3.5~5.5	0.10	0.50	2000	7.96	0.23	0.03	6.37	21.5	26.0
DA06010#12U	F01	B.S	12	7.0~13.8	0.28	3.36	5000	20.95	0.59	0.16	40.29	37.5	26.0
DA06010#12H	F01	B.S	12	7.0~13.8	0.15	1.80	4000	16.63	0.47	0.10	26.09	31.8	26.0
DA06010#12M	F01	B.S	12	7.0~13.8	0.08	0.96	3000	12.34	0.35	0.06	14.78	26.4	26.0
DA06010#12L	F01	B.S	12	7.0~13.8	0.05	0.60	2000	7.96	0.23	0.03	6.37	21.5	26.0
DA06010#24H	F01	B.S	24	14.0~27.6	0.15	3.60	5000	20.95	0.59	0.16	40.29	37.5	26.0
DA06010#24M	F01	B.S	24	14.0~27.6	0.10	2.40	4000	16.63	0.47	0.10	26.09	31.8	26.0
DA06010#24L	F01	B.S	24	14.0~27.6	0.05	1.20	3000	12.34	0.35	0.06	14.78	26.4	26.0

All models could be customized on voltage or any other requirements to fit your need.

Dimensions (Unit:mm)



PQ Curve (At Rated Voltage)

