

**5020**

**50x50x20MM**



**General Specifications**

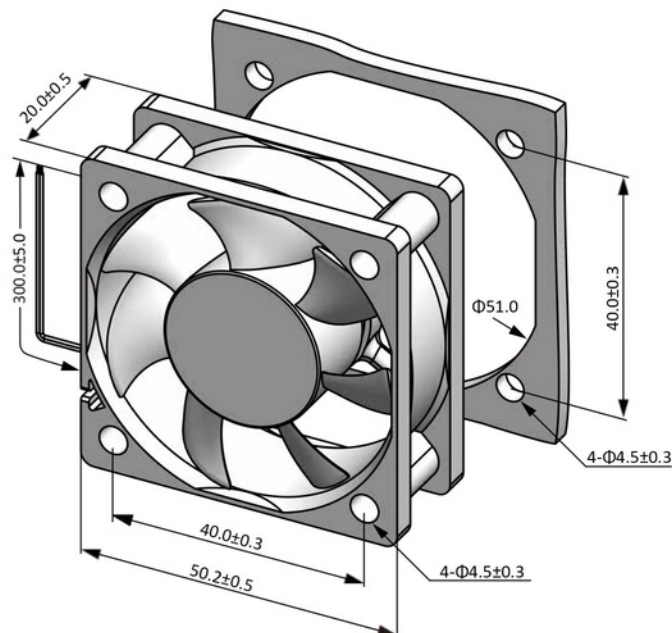
- ◆ Material..... Frame: Plastic (UL94V-0)  
Impeller: Plastic (UL94V-0)  
Lead Wire: UL1007AWG#26 or Equivalent (+) Red, (-) Black
- ◆ Expected Life..... Ball Bearing 70,000hrs (40°C)  
Sleeve Bearing 30,000hrs (40°C)
- ◆ Temperature Range.... Operating Temperature -10°C~70°C (Non-condensing)  
Storage Temperature -40°C~70°C (Non-condensing)
- ◆ Safety Standards..... UL, TUV, RoHS, CE
- ◆ DC Fan Specials..... RD, FG, PWM, IP56

**Specifications**

Model	Rev	#Bearing Type	Rated Voltage	Operating Voltage	Input Current	Input Power	Speed	Max Air Flow		Max Static Pressure		Noise	Weight
Part No.	A	B	VDC	VDC	Amp	Watt	RPM	CFM	m <sup>3</sup> /min	Inch-H <sub>2</sub> O	Pa	dB-A	g
DA05020#12U	F01	B.S	12	7.0~13.8	0.20	2.40	6500	20.49	0.58	0.29	72.34	36.7	32.0
DA05020#12H	F01	B.S	12	7.0~13.8	0.18	2.16	6000	18.73	0.53	0.25	62.38	34.9	32.0
DA05020#12M	F01	B.S	12	7.0~13.8	0.16	1.92	5500	17.39	0.49	0.21	51.91	32.2	32.0
DA05020#12L	F01	B.S	12	7.0~13.8	0.14	1.68	5000	15.43	0.44	0.17	43.42	29.3	32.0
DA05020#12D	F01	B.S	12	7.0~13.8	0.10	1.20	4500	13.61	0.39	0.14	34.60	26.4	32.0
DA05020#24U	F01	B.S	24	14.0~27.6	0.14	3.36	6500	20.49	0.58	0.29	72.34	36.7	32.0
DA05020#24H	F01	B.S	24	14.0~27.6	0.12	2.88	6000	18.73	0.53	0.25	62.38	34.9	32.0
DA05020#24M	F01	B.S	24	14.0~27.6	0.10	2.40	5500	17.39	0.49	0.21	51.91	32.2	32.0
DA05020#24L	F01	B.S	24	14.0~27.6	0.08	1.92	5000	15.43	0.44	0.17	43.42	29.3	32.0
DA05020#24D	F01	B.S	24	14.0~27.6	0.06	1.44	4500	13.61	0.39	0.14	34.60	26.4	32.0

All models could be customized on voltage or any other requirements to fit your need.

**Dimensions (Unit:mm)**



**PQ Curve (At Rated Voltage)**

