

5015

50x50x15MM



General Specifications

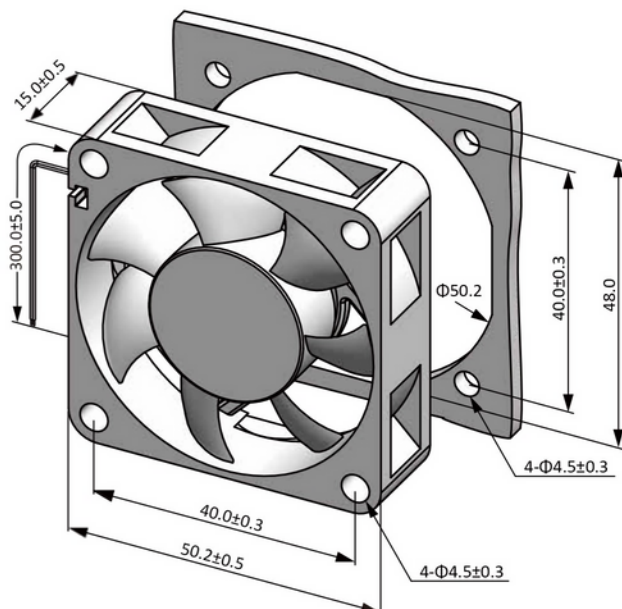
- ◆ Material..... Frame: Plastic (UL94V-0)
Impeller: Plastic (UL94V-0)
Lead Wire: UL1007AWG#26 or Equivalent (+) Red, (-) Black
- ◆ Expected Life..... Ball Bearing 70,000hrs (40°C)
Sleeve Bearing 30,000hrs (40°C)
- ◆ Temperature Range.... Operating Temperature -10°C~70°C (Non-condensing)
Storage Temperature -40°C~70°C (Non-condensing)
- ◆ Safety Standards..... UL, TUV, RoHS, CE
- ◆ DC Fan Specials..... RD, FG, IP56, IPWM

Specifications

Model	Rev	#Bearing Type	Rated Voltage	Operating Voltage	Input Current	Input Power	Speed	Max Air Flow		Max Static Pressure		Noise	Weight
Part No.	A	B	VDC	VDC	Amp	Watt	RPM	CFM	m ³ /min	Inch-H ₂ O	Pa	dB-A	g
DA05015#05U	F01	B.S	5	3.5~5.5	0.50	2.50	6000	14.98	0.42	0.21	52.71	33.9	29.0
DA05015#05H	F01	B.S	5	3.5~5.5	0.35	1.75	5500	13.75	0.39	0.18	45.67	31.8	29.0
DA05015#05M	F01	B.S	5	3.5~5.5	0.25	1.25	5000	12.53	0.36	0.15	37.93	29.8	29.0
DA05015#05L	F01	B.S	5	3.5~5.5	0.20	1.00	4500	11.05	0.31	0.13	31.48	27.5	29.0
DA05015#12U	F01	B.S	12	7.0~13.8	0.20	2.40	6500	16.23	0.46	0.25	61.88	35.6	29.0
DA05015#12H	F01	B.S	12	7.0~13.8	0.16	1.92	6000	14.98	0.42	0.21	52.71	33.9	29.0
DA05015#12M	F01	B.S	12	7.0~13.8	0.14	1.68	5500	13.75	0.39	0.18	45.67	31.8	29.0
DA05015#12L	F01	B.S	12	7.0~13.8	0.12	1.44	5000	12.53	0.36	0.15	37.93	29.8	29.0
DA05015#12D	F01	B.S	12	7.0~13.8	0.10	1.20	4500	11.05	0.31	0.13	31.48	27.5	29.0
DA05015#24U	F01	B.S	24	14.0~27.6	0.12	2.88	6500	16.23	0.46	0.25	61.88	35.6	29.0
DA05015#24H	F01	B.S	24	14.0~27.6	0.10	2.40	6000	14.98	0.42	0.21	52.71	33.9	29.0
DA05015#24M	F01	B.S	24	14.0~27.6	0.08	1.92	5500	13.75	0.39	0.18	45.67	31.8	29.0
DA05015#24L	F01	B.S	24	14.0~27.6	0.07	1.68	5000	12.53	0.36	0.15	37.93	29.8	29.0
DA05015#24D	F01	B.S	24	14.0~27.6	0.06	1.44	4500	11.05	0.31	0.13	31.48	27.5	29.0

All models could be customized on voltage or any other requirements to fit your need.

Dimensions (Unit:mm)



PQ Curve (At Rated Voltage)

