

5010

50x50x10MM



General Specifications

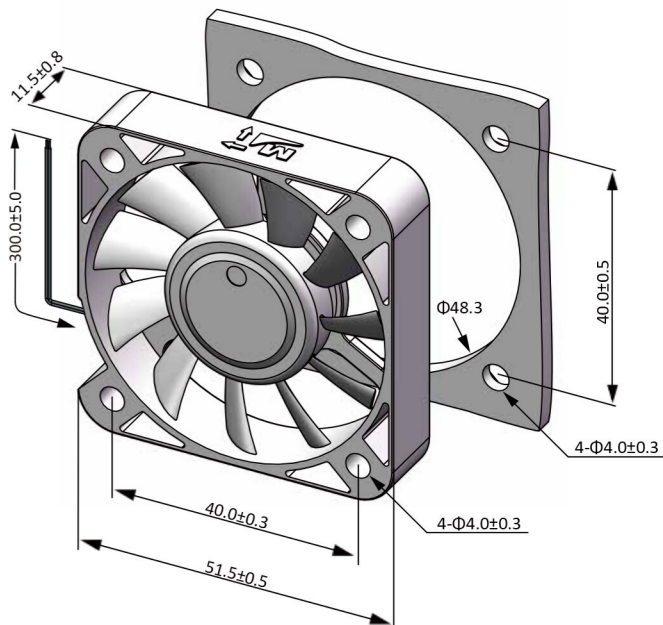
- ◆ Material..... Frame: Plastic (UL94V-0)
Impeller: Plastic (UL94V-0)
Lead Wire: UL1007AWG#26 or Equivalent (+) Red, (-) Black
- ◆ Expected Life..... Ball Bearing 70,000hrs (40°C)
Sleeve Bearing 30,000hrs (40°C)
- ◆ Temperature Range.... Operating Temperature -10°C~70°C (Non-condensing)
Storage Temperature -40°C~70°C (Non-condensing)
- ◆ Safety Standards..... UL, TUV, RoHS, CE
- ◆ DC Fan Specials..... RD, FG, IP56, PWM

Specifications

Model Part No.	Rev A	#Bearing Type B	Rated Voltage VDC	Operating Voltage VDC	Input Current Amp	Input Power Watt	Speed RPM	Max Air Flow		Max Static Pressure		Noise dB-A	Weight g
								CFM	m ³ /min	Inch-H ₂ O	Pa		
DA05010#05U	F01	B.S	5	3.5~5.5	0.25	1.25	5500	10.46	0.30	0.11	27.46	37.9	20.0
DA05010#05H	F01	B.S	5	3.5~5.5	0.21	1.05	5000	9.69	0.27	0.10	23.73	35.0	20.0
DA05010#05M	F01	B.S	5	3.5~5.5	0.18	0.90	4500	8.84	0.25	0.07	18.44	32.4	20.0
DA05010#05L	F01	B.S	5	3.5~5.5	0.15	0.75	4000	7.51	0.21	0.06	15.24	28.7	20.0
DA05010#12U	F01	B.S	12	7.0~13.8	0.16	1.92	6000	12.33	0.35	0.14	33.93	40.3	20.0
DA05010#12H	F01	B.S	12	7.0~13.8	0.14	1.68	5500	10.46	0.30	0.11	27.46	37.9	20.0
DA05010#12M	F01	B.S	12	7.0~13.8	0.12	1.44	5000	9.69	0.27	0.10	23.73	35.0	20.0
DA05010#12L	F01	B.S	12	7.0~13.8	0.10	1.20	4500	8.84	0.25	0.07	18.44	32.4	20.0
DA05010#12D	F01	B.S	12	7.0~13.8	0.08	0.96	4000	7.51	0.21	0.06	15.24	28.7	20.0
DA05010#24U	F01	B.S	24	14.0~27.6	0.12	2.88	6000	12.33	0.35	0.14	33.93	40.3	20.0
DA05010#24H	F01	B.S	24	14.0~27.6	0.10	2.40	5500	10.46	0.30	0.11	27.46	37.9	20.0
DA05010#24M	F01	B.S	24	14.0~27.6	0.08	1.92	5000	9.69	0.27	0.10	23.73	35.0	20.0
DA05010#24L	F01	B.S	24	14.0~27.6	0.06	1.44	4500	8.84	0.25	0.07	18.44	32.4	20.0
DA05010#24D	F01	B.S	24	14.0~27.6	0.04	0.96	4000	7.51	0.21	0.06	15.24	28.7	20.0

All models could be customized on voltage or any other requirements to fit your need.

Dimensions (Unit:mm)



PQ Curve (At Rated Voltage)

