

4020

40x40x20MM



General Specifications

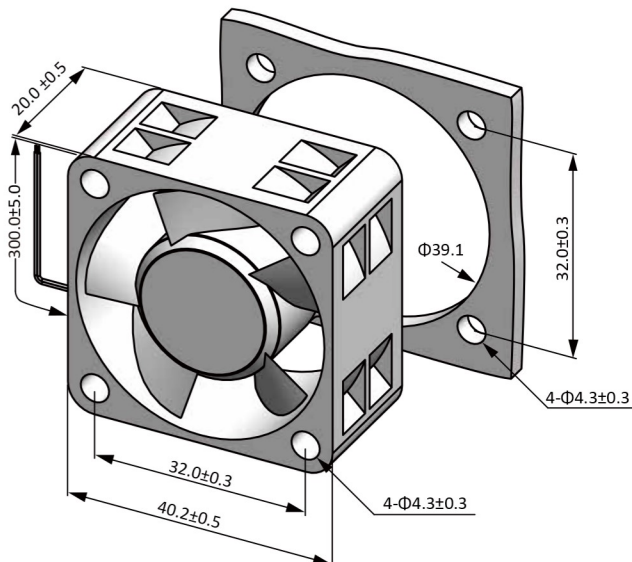
- ◆ Material..... Frame: Plastic (UL94V-0)
Impeller: Plastic (UL94V-0)
Lead Wire: UL1007AWG#26 or Equivalent (+) Red, (-) Black
- ◆ Expected Life..... Ball Bearing 70,000hrs (40°C)
Sleeve Bearing 30,000hrs (40°C)
- ◆ Temperature Range.... Operating Temperature -10°C~70°C (Non-condensing)
Storage Temperature -40°C~70°C (Non-condensing)
- ◆ Safety Standards..... UL, TUV, RoHS, CE
- ◆ DC Fan Specials..... RD, FG, PWM, IP56

Specifications

Model	Rev	#Bearing Type	Rated Voltage	Operating Voltage	Input Current	Input Power	Speed	Max Air Flow		Max Static Pressure		Noise	Weight
Part No.	A	B	VDC	VDC	Amp	Watt	RPM	CFM	m³/min	Inch-H ₂ O	Pa	dB-A	g
DA04020#05H	F01	B.S	5	3.5~5.5	0.40	2.00	10000	10.30	0.29	0.36	90.38	36.9	24.0
DA04020#05M	F01	B.S	5	3.5~5.5	0.25	1.25	8000	7.80	0.22	0.24	59.48	30.8	24.0
DA04020#05L	F01	B.S	5	3.5~5.5	0.18	0.90	6000	5.83	0.17	0.14	34.73	24.2	24.0
DA04020#05D	F01	B.S	5	3.5~5.5	0.10	0.50	4000	3.61	0.10	0.06	15.08	20.9	24.0
DA04020#12H	F01	B.S	12	7.0~13.8	0.16	1.92	10000	10.30	0.29	0.36	90.38	36.9	24.0
DA04020#12M	F01	B.S	12	7.0~13.8	0.13	1.56	8000	7.80	0.22	0.24	59.48	30.8	24.0
DA04020#12L	F01	B.S	12	7.0~13.8	0.08	0.96	6000	5.83	0.17	0.14	34.73	24.2	24.0
DA04020#12D	F01	B.S	12	7.0~13.8	0.05	0.60	4000	3.61	0.10	0.06	15.08	20.9	24.0
DA04020#24H	F01	B.S	24	14.0~27.6	0.12	2.88	10000	10.30	0.29	0.36	90.38	36.9	24.0
DA04020#24M	F01	B.S	24	14.0~27.6	0.08	1.92	8000	7.80	0.22	0.24	59.48	30.8	24.0
DA04020#24L	F01	B.S	24	14.0~27.6	0.05	1.20	6000	5.83	0.17	0.14	34.73	24.2	24.0

All models could be customized on voltage or any other requirements to fit your need.

Dimensions (Unit:mm)



PQ Curve (At Rated Voltage)

