

**4010**

**40x40x10MM**



**General Specifications**

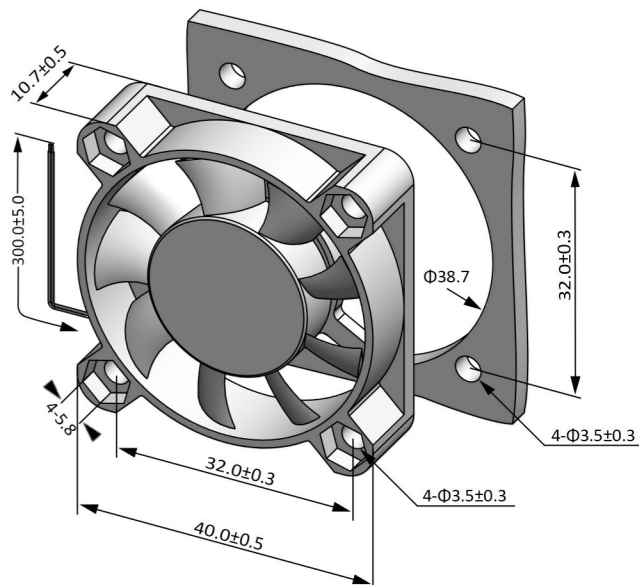
- ◆ Material..... Frame: Plastic (UL94V-0)  
Impeller: Plastic (UL94V-0)  
Lead Wire: UL1007AWG#26 or Equivalent (+) Red, (-) Black
- ◆ Expected Life..... Ball Bearing 70,000hrs (40°C)  
Sleeve Bearing 30,000hrs (40°C)
- ◆ Temperature Range.... Operating Temperature -10°C~70°C (Non-condensing)  
Storage Temperature -40°C~70°C (Non-condensing)
- ◆ Safety Standards..... UL, TUV, RoHS, CE
- ◆ DC Fan Specials..... RD, FG, IP56

**Specifications**

Model	Rev	#Bearing Type	Rated Voltage	Operating Voltage	Input Current	Input Power	Speed	Max Air Flow		Max Static Pressure		Noise	Weight
Part No.	A	B	VDC	VDC	Amp	Watt	RPM	CFM	m³/min	Inch-H <sub>2</sub> O	Pa	dB-A	g
DA04010#05U	F01	B.S	5	3.5~5.5	0.22	1.10	7000	6.96	0.20	0.16	40.37	34.0	16.0
DA04010#05H	F01	B.S	5	3.5~5.5	0.18	0.90	6500	6.45	0.18	0.14	35.62	32.6	16.0
DA04010#05M	F01	B.S	5	3.5~5.5	0.14	0.70	6000	5.91	0.17	0.13	31.35	30.6	16.0
DA04010#05L	F01	B.S	5	3.5~5.5	0.10	0.50	5000	4.84	0.14	0.09	21.50	26.7	16.0
DA04010#05D	F01	B.S	5	3.5~5.5	0.08	0.40	4000	4.10	0.12	0.06	14.06	22.4	16.0
DA04010#12U	F01	B.S	12	7.0~13.8	0.15	1.80	7000	6.96	0.20	0.16	40.37	34.0	16.0
DA04010#12H	F01	B.S	12	7.0~13.8	0.10	1.20	6500	6.45	0.18	0.14	35.62	32.6	16.0
DA04010#12M	F01	B.S	12	7.0~13.8	0.08	0.96	6000	5.91	0.17	0.13	31.35	30.6	16.0
DA04010#12L	F01	B.S	12	7.0~13.8	0.06	0.72	5000	4.84	0.14	0.09	21.50	26.7	16.0
DA04010#12D	F01	B.S	12	7.0~13.8	0.04	0.48	4000	4.10	0.12	0.06	14.06	22.4	16.0
DA04010#24H	F01	B.S	24	14.0~27.6	0.07	1.68	7000	6.96	0.20	0.16	40.37	34.0	16.0
DA04010#24H	F01	B.S	24	14.0~27.6	0.06	1.44	6500	6.45	0.18	0.14	35.62	32.6	16.0
DA04010#24M	F01	B.S	24	14.0~27.6	0.05	1.20	6000	5.91	0.17	0.13	31.35	30.6	16.0
DA04010#24L	F01	B.S	24	14.0~27.6	0.04	0.96	5000	4.84	0.14	0.09	21.50	26.7	16.0

All models could be customized on voltage or any other requirements to fit your need.

**Dimensions (Unit:mm)**



**PQ Curve (At Rated Voltage)**

