

3015

30x30x15MM



General Specifications

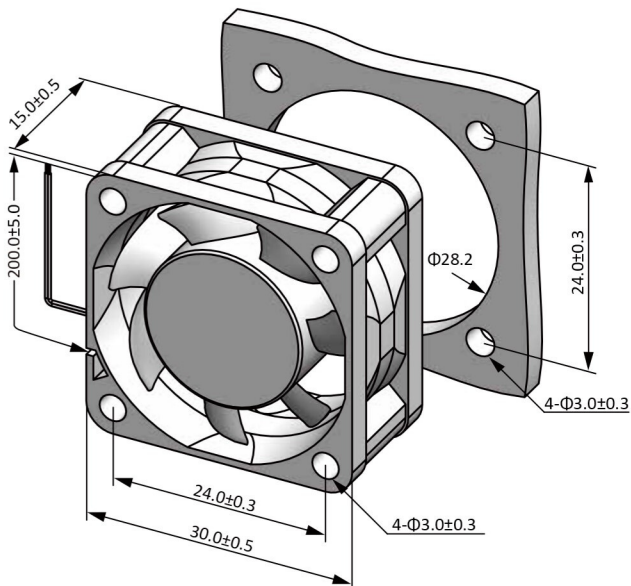
- ◆ Material..... Frame: Plastic (UL94V-0)
Impeller: Plastic (UL94V-0)
Lead Wire: UL1571AWG#28 or Equivalent (+) Red, (-) Black
- ◆ Expected Life..... Ball Bearing 70,000hrs (40°C)
Sleeve Bearing 30,000hrs (40°C)
- ◆ Temperature Range.... Operating Temperature -10°C~70°C (Non-condensing)
Storage Temperature -40°C~70°C (Non-condensing)
- ◆ Safety Standards..... UL, TUV, RoHS, CE
- ◆ DC Fan Specials..... RD, FG, IP54

Specifications

Model	Rev	#Bearing Type	Rated Voltage	Operating Voltage	Input Current	Input Power	Speed	Max Air Flow		Max Static Pressure		Noise	Weight
Part No.	A	B	VDC	VDC	Amp	Watt	RPM	CFM	m ³ /min	Inch-H ₂ O	Pa	dB-A	g
DA03015#05H	F01	B.S	5	3.5~5.5	0.25	1.25	10000	4.44	0.13	0.25	61.88	30.8	12.0
DA03015#05M	F01	B.S	5	3.5~5.5	0.17	0.85	8000	3.39	0.10	0.15	36.37	26.2	12.0
DA03015#05L	F01	B.S	5	3.5~5.5	0.12	0.60	6000	2.39	0.07	0.08	19.21	21.4	12.0
DA03015#12H	F01	B.S	12	7.0~13.8	0.12	1.44	10000	4.44	0.13	0.25	61.88	30.8	12.0
DA03015#12M	F01	B.S	12	7.0~13.8	0.09	1.08	8000	3.39	0.10	0.15	36.37	26.2	12.0
DA03015#12L	F01	B.S	12	7.0~13.8	0.06	0.72	6000	2.39	0.07	0.08	19.21	21.4	12.0

All models could be customized on voltage or any other requirements to fit your need.

Dimensions (Unit:mm)



PQ Curve (At Rated Voltage)

