

3010

30x30x10MM



General Specifications

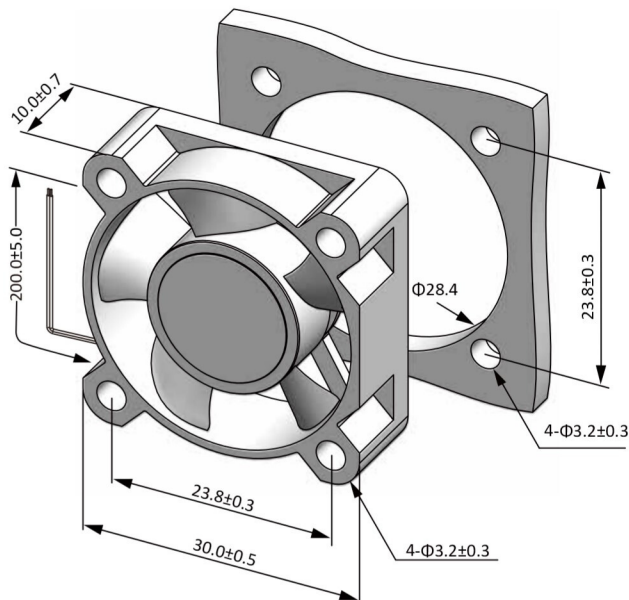
- ◆ Material..... Frame: Plastic (UL94V-0)
Impeller: Plastic (UL94V-0)
Lead Wire: UL1571AWG#28 or Equivalent (+) Red, (-) Black
- ◆ Expected Life..... Ball Bearing 70,000hrs (40°C)
Sleeve Bearing 30,000hrs (40°C)
- ◆ Temperature Range.... Operating Temperature -10°C~70°C (Non-condensing)
Storage Temperature -40°C~70°C (Non-condensing)
- ◆ Safety Standards..... UL, TUV, RoHS, CE
- ◆ DC Fan Specials..... RD, FG, IP54

Specifications

Model	Rev	#Bearing Type	Rated Voltage	Operating Voltage	Input Current	Input Power	Speed	Max Air Flow		Max Static Pressure		Noise	Weight
Part No.	A	B	VDC	VDC	Amp	Watt	RPM	CFM	m³/min	Inch-H2O	Pa	dB-A	g
DA03010#05U	F01	B.S	5	3.5~5.5	0.26	1.30	12000	5.23	0.15	0.24	58.95	34.1	8.0
DA03010#05H	F01	B.S	5	3.5~5.5	0.20	1.00	10000	4.24	0.12	0.20	50.52	30.0	8.0
DA03010#05M	F01	B.S	5	3.5~5.5	0.15	0.75	8000	3.38	0.10	0.14	33.64	25.6	8.0
DA03010#05L	F01	B.S	5	3.5~5.5	0.10	0.50	6000	2.44	0.07	0.08	20.22	22.3	8.0
DA03010#12U	F01	B.S	12	7.0~13.8	0.12	1.44	12000	5.23	0.15	0.24	58.95	34.1	8.0
DA03010#12H	F01	B.S	12	7.0~13.8	0.10	1.20	10000	4.24	0.12	0.20	50.52	30.0	8.0
DA03010#12M	F01	B.S	12	7.0~13.8	0.08	0.96	8000	3.38	0.10	0.14	33.64	25.6	8.0
DA03010#12L	F01	B.S	12	7.0~13.8	0.05	0.60	6000	2.44	0.07	0.08	20.22	22.3	8.0

All models could be customized on voltage or any other requirements to fit your need.

Dimensions (Unit:mm)



PQ Curve (At Rated Voltage)

