

3007

30x30x7MM



General Specifications

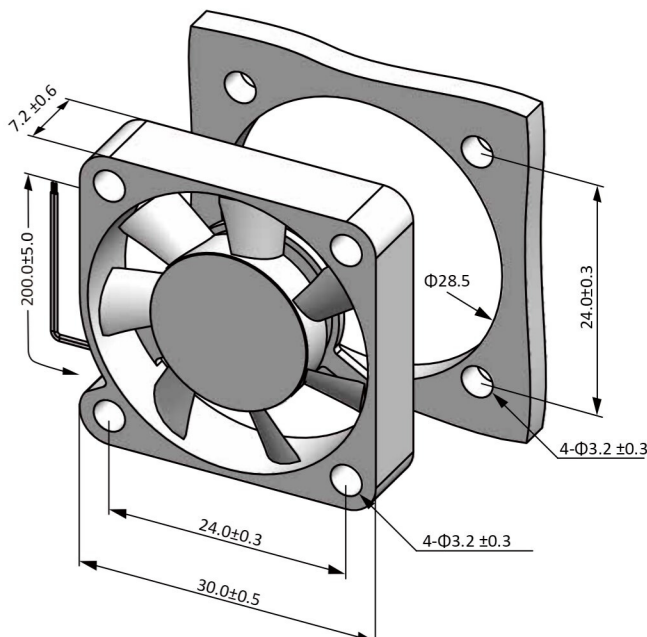
- ◆ Material..... Frame: Plastic (UL94V-0)
Impeller: Plastic (UL94V-0)
Lead Wire: UL1571AWG#28 or Equivalent (+) Red, (-) Black
- ◆ Expected Life..... Sleeve Bearing 30,000hrs (40°C)
- ◆ Temperature Range.... Operating Temperature -10°C~70°C (Non-condensing)
Storage Temperature -40°C~70°C (Non-condensing)
- ◆ Safety Standards..... UL, TUV, RoHS, CE
- ◆ DC Fan Specials..... RD, FG, IP54

Specifications

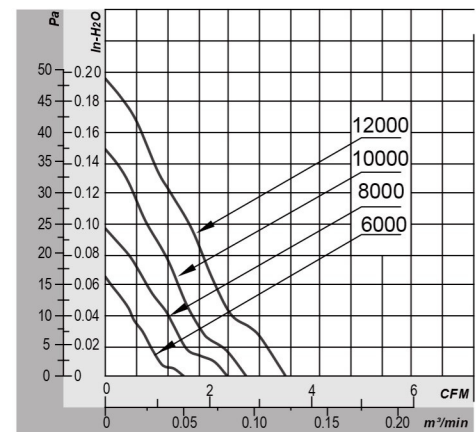
| Model | Rev | #Bearing Type | Rated Voltage | Operating Voltage | Input Current | Input Power | Speed | Max Air Flow | | Max Static Pressure | | Noise | Weight |
|-------------|-----|---------------|---------------|-------------------|---------------|-------------|-------|--------------|---------------------|-----------------------|-------|-------|--------|
| Part No. | A | B | VDC | VDC | Amp | Watt | RPM | CFM | m ³ /min | Inch-H ₂ O | Pa | dB-A | g |
| DA03007#05U | F01 | S | 5 | 3.5~5.5 | 0.28 | 1.40 | 12000 | 3.92 | 0.11 | 0.20 | 48.82 | 34.5 | 6.0 |
| DA03007#05H | F01 | S | 5 | 3.5~5.5 | 0.18 | 0.90 | 10000 | 3.29 | 0.09 | 0.15 | 36.33 | 30.6 | 6.0 |
| DA03007#05M | F01 | S | 5 | 3.5~5.5 | 0.14 | 0.70 | 8000 | 2.53 | 0.07 | 0.10 | 24.44 | 25.8 | 6.0 |
| DA03007#05L | F01 | S | 5 | 3.5~5.5 | 0.10 | 0.50 | 6000 | 1.88 | 0.05 | 0.06 | 15.67 | 21.1 | 6.0 |
| DA03007#12U | F01 | S | 12 | 7.0~13.8 | 0.12 | 1.44 | 12000 | 3.92 | 0.11 | 0.20 | 48.82 | 34.5 | 6.0 |
| DA03007#12H | F01 | S | 12 | 7.0~13.8 | 0.09 | 1.08 | 10000 | 3.29 | 0.09 | 0.15 | 36.33 | 30.6 | 6.0 |
| DA03007#12M | F01 | S | 12 | 7.0~13.8 | 0.07 | 0.84 | 8000 | 2.53 | 0.07 | 0.10 | 24.44 | 25.8 | 6.0 |
| DA03007#12L | F01 | S | 12 | 7.0~13.8 | 0.05 | 0.60 | 6000 | 1.88 | 0.05 | 0.06 | 15.67 | 21.1 | 6.0 |

All models could be customized on voltage or any other requirements to fit your need.

Dimensions (Unit:mm)



PQ Curve (At Rated Voltage)



Specifications are subject to change without notice. Please visit our website at www.bedek.de for update information.