

2510

25x25x10MM

General Specifications

- ◆ Material..... Frame: Plastic (UL94V-0)
Impeller: Plastic (UL94V-0)
Lead Wire: UL1571AWG#28 or Equivalent (+) Red, (-) Black
- ◆ Expected Life..... Ball Bearing 70,000hrs (40°C)
Sleeve Bearing 30,000hrs (40°C)
- ◆ Temperature Range.... Operating Temperature -10°C~70°C (Non-condensing)
Storage Temperature -40°C~70°C (Non-condensing)
- ◆ Safety Standards..... UL, TUV, RoHS, CE
- ◆ DC Fan Specials..... RD, FG, IP54

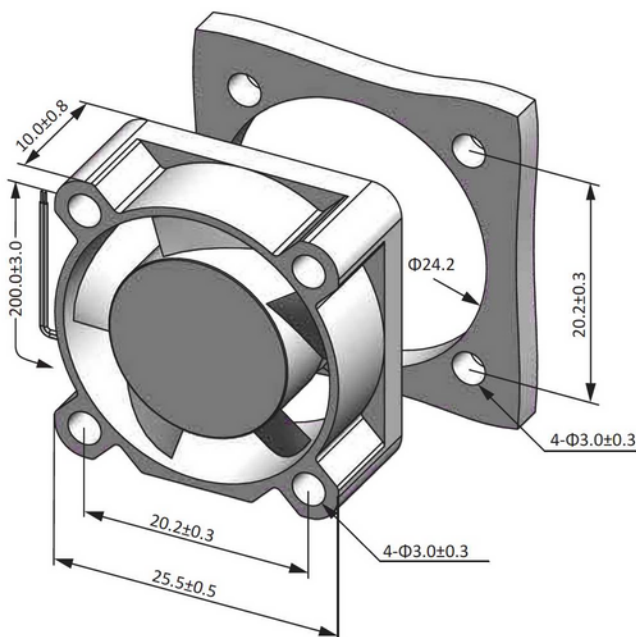


Specifications

Model	Rev	#Bearing Type	Rated Voltage	Operating Voltage	Input Current	Input Power	Speed	Max Air Flow		Max Static Pressure		Noise	Weight
Part No.	A	B	VDC	VDC	Amp	Watt	RPM	CFM	m ³ /min	Inch-H ₂ O	Pa	dB-A	g
DA02510#05U	F01	B.S	5	3.5~5.5	0.22	1.10	12000	2.08	0.06	0.25	62.05	31.7	6.0
DA02510#05H	F01	B.S	5	3.5~5.5	0.18	0.90	10000	1.72	0.05	0.16	39.79	26.9	6.0
DA02510#05M	F01	B.S	5	3.5~5.5	0.14	0.70	8000	1.37	0.04	0.10	25.47	22.6	6.0
DA02510#05L	F01	B.S	5	3.5~5.5	0.10	0.50	6000	1.04	0.03	0.06	15.51	20.9	6.0
DA02510#12U	F01	B.S	12	7.0~13.8	0.10	1.20	12000	2.08	0.06	0.25	62.05	31.7	6.0
DA02510#12H	F01	B.S	12	7.0~13.8	0.08	0.96	10000	1.72	0.05	0.16	39.79	26.9	6.0
DA02510#12M	F01	B.S	12	7.0~13.8	0.06	0.72	8000	1.37	0.04	0.10	25.47	22.6	6.0
DA02510#12L	F01	B.S	12	7.0~13.8	0.04	0.48	6000	1.04	0.03	0.06	15.51	20.9	6.0

All models could be customized on voltage or any other requirements to fit your need.

Dimensions (Unit:mm)



PQ Curve (At Rated Voltage)

