

2010

20x20x10MM

General Specifications

- ◆ Material..... Frame: Plastic (UL94V-0)
Impeller: Plastic (UL94V-0)
Lead Wire: UL1571AWG#28 or Equivalent (+) Red, (-) Black
- ◆ Expected Life..... Ball Bearing 70,000hrs (40°C)
Sleeve Bearing 30,000hrs (40°C)
- ◆ Temperature Range.... Operating Temperature -10°C~70°C (Non-condensing)
Storage Temperature -40°C~70°C (Non-condensing)
- ◆ Safety Standards..... UL, TUV, RoHS, CE
- ◆ DC Fan Specials..... RD, FG, IP54, PWM

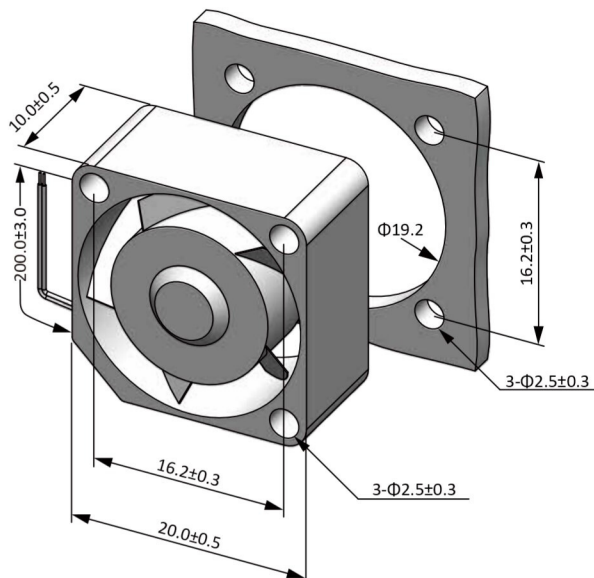


Specifications

Model	Rev	#Bearing Type	Rated Voltage	Operating Voltage	Input Current	Input Power	Speed	Max Air Flow		Max Static Pressure		Noise	Weight
Part No.	A	B	VDC	VDC	Amp	Watt	RPM	CFM	m ³ /min	Inch-H ₂ O	Pa	dB-A	g
DA02010#05U	F01	B.S	5	3.5~5.5	0.20	1.00	20000	1.89	0.05	0.20	48.83	31.0	5.0
DA02010#05H	F01	B.S	5	3.5~5.5	0.13	0.65	15000	1.42	0.04	0.12	29.02	26.5	5.0
DA02010#05M	F01	B.S	5	3.5~5.5	0.10	0.50	12000	1.14	0.03	0.08	19.73	23.1	5.0
DA02010#05L	F01	B.S	5	3.5~5.5	0.07	0.35	8000	0.69	0.02	0.04	8.91	20.1	5.0
DA02010#12H	F01	B.S	12	7.0~13.8	0.07	0.84	20000	1.89	0.05	0.20	48.83	31.0	5.0
DA02010#12M	F01	B.S	12	7.0~13.8	0.05	0.60	15000	1.42	0.04	0.12	29.02	26.5	5.0
DA02010#12L	F01	B.S	12	7.0~13.8	0.03	0.36	10000	0.87	0.02	0.05	12.77	21.6	5.0

All models could be customized on voltage or any other requirements to fit your need.

Dimensions (Unit:mm)



PQ Curve (At Rated Voltage)

