

8025

100VAC to 240VAC
Energy Saving AC Fan



General Specifications

- ◆ Frame Size..... 80x80x25mm
- ◆ Material..... Frame: Plastic (UL94V-0), Impeller:Plastic(UL94V-0)
Lead Wire: UL1007AWG#22 300mm or Terminal
- ◆ Motor Protection..... AF series fans have auto restart function
- ◆ Input Voltage..... A rated voltage range of 100V~240V(50/60Hz) AC&DC ,Rotation speed remains constant even at different input voltages
- ◆ Dielectric Strength..... 1800VAC/5mA/3S (Between input terminal and frame)
- ◆ Temperature Range.... Operating Temperature -25°C~70°C (Non-condensing)
Storage Temperature -40°C~80°C (Non-condensing)
- ◆ Expected life..... Ball Bearing 70,000hrs at 40°C
- ◆ Fan Specials..... **RD** **FG** **IP56** **AS**

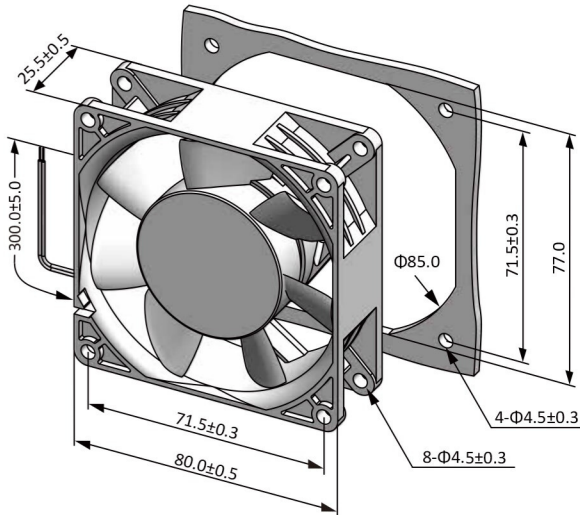
Specifications

Model	Rev	#Bearing Type	Rated Voltage	Power	Speed	Max Air Flow		Max Static Pressure		Noise	Weight
Part No.	XXX	B.S	VAC	Watt	RPM	CFM	m ³ /min	Inch-H ₂ O	Pa	dB-A	g
AF08025B**HL(T)	F01	B	100~240	4.50	4000	43.54	1.23	0.34	84.73	38.1	95.0
AF08025B**ML(T)	F01	B	100~240	2.80	3500	37.76	1.07	0.26	63.97	33.6	95.0
AF08025B**LL(T)	F01	B	100~240	1.60	3000	31.84	0.90	0.19	46.48	29.1	95.0

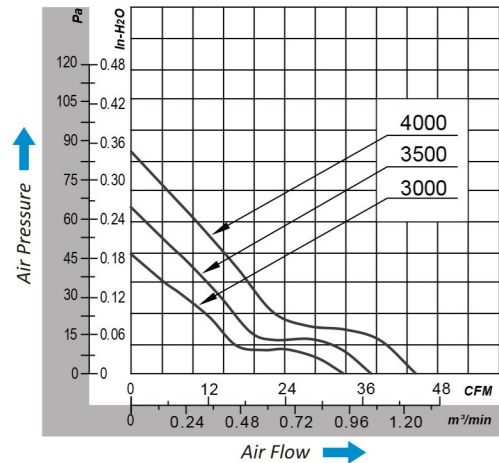
All models could be customized on voltage or any other requirements to fit your need.

Note: "00" "11" "22" are 100 to 240 VAC , (L) is Lead wire , (T) is Terminal

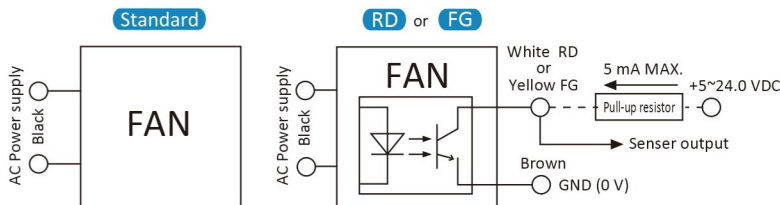
Dimensions (Unit:mm)



PQ Curve (At Rated Voltage)



Wiring Diagram



Note: Standard AF fan have two lead wire or Terminal.

RD or FG , have 4 lead wires . RD is White color , FG is Yellow color , Brown is Ground