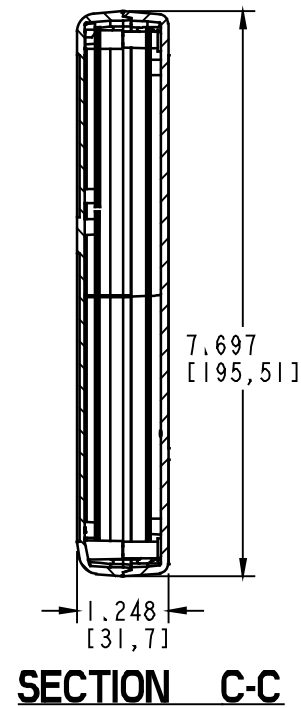
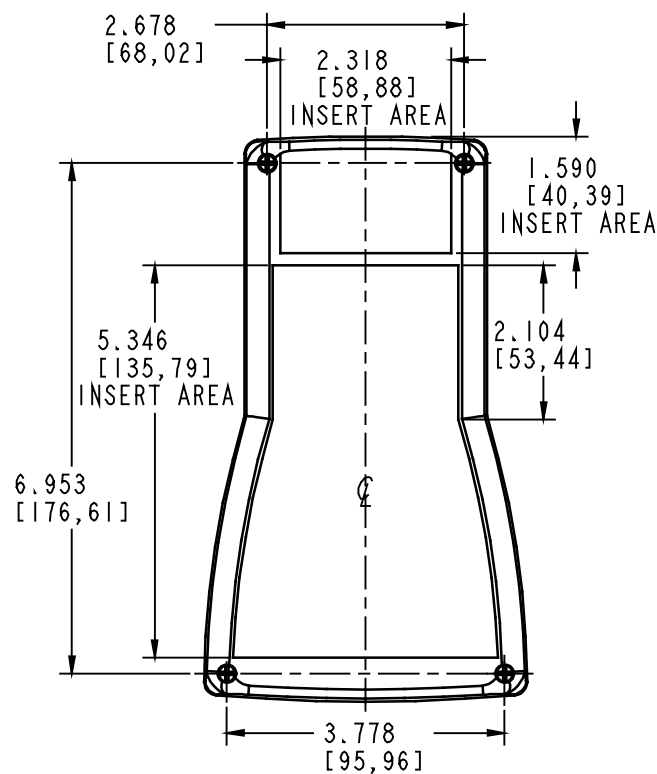
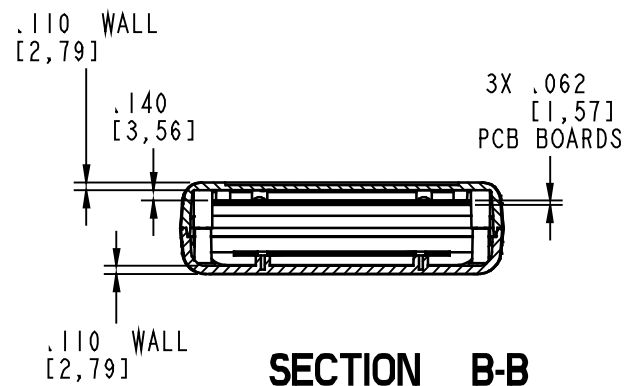


SECTION A-A



SECTION C-C



SECTION B-B

PACITEC®
1-610-361-4200

TR

VISIT **PACITEC®**
ON THE WORLD WIDE WEB
www.pacitecenclosures.com

| COLOR / MATERIAL CODE | | |
|-----------------------|------|------|
| COLOR | 94HB | 94VO |
| BLACK | 000 | 028 |
| P.C.BONE | 039 | 060 |

| DRAWING NUMBER | REV |
|----------------|-----|
| 83713 | A |