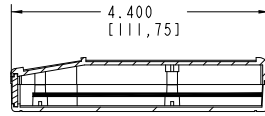
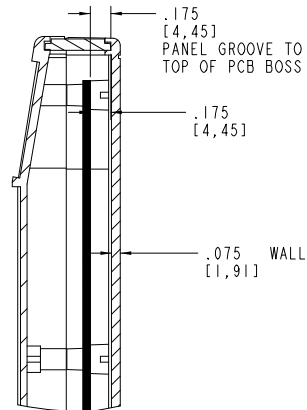
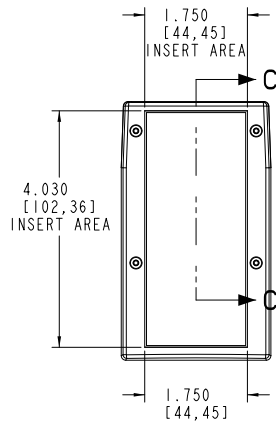


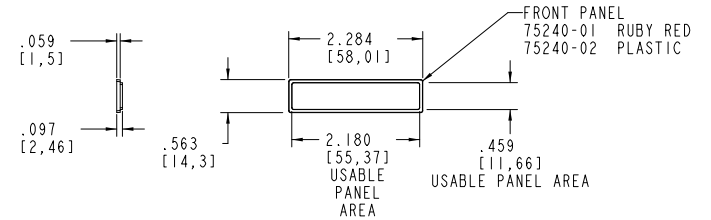
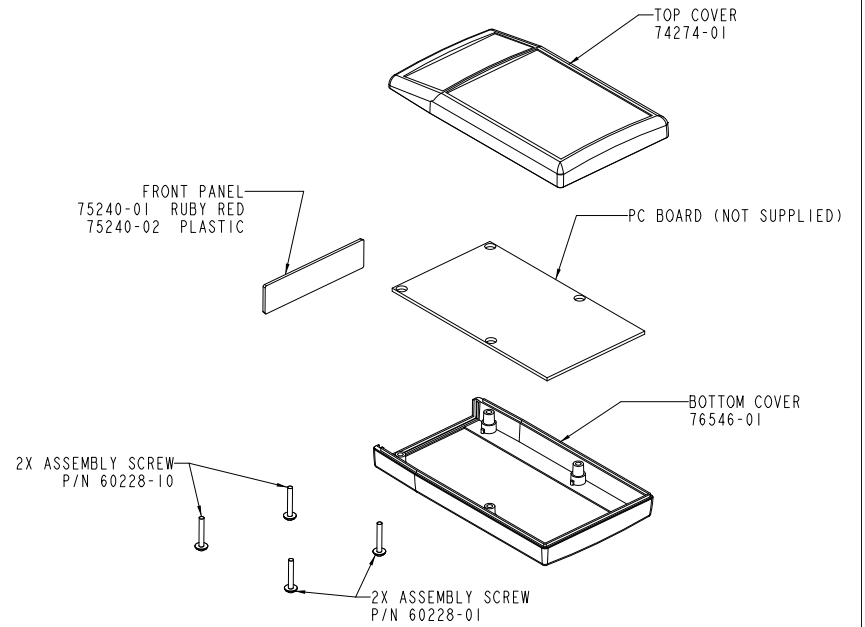
SECTION A-A



SECTION B-B



SECTION C-C



PACNTEC®
1-610-361-4200

RCS24

VISIT **PACNTEC®**
ON THE WORLD WIDE WEB
www.pactecenclosures.com

COLOR / MATERIAL CODE	
COLOR	94HB 94VO
BLACK	000 028
P.C. BONE	039 060

DRAWING NUMBER	REV
76062	C