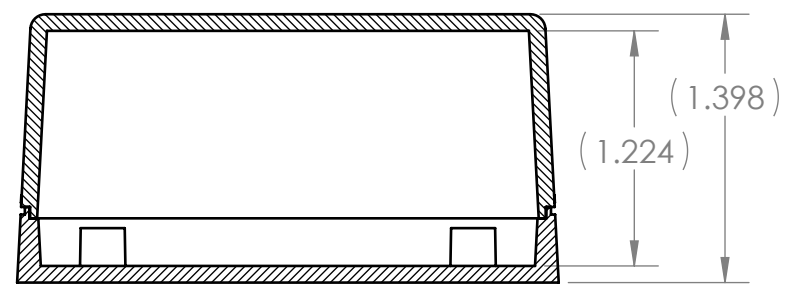
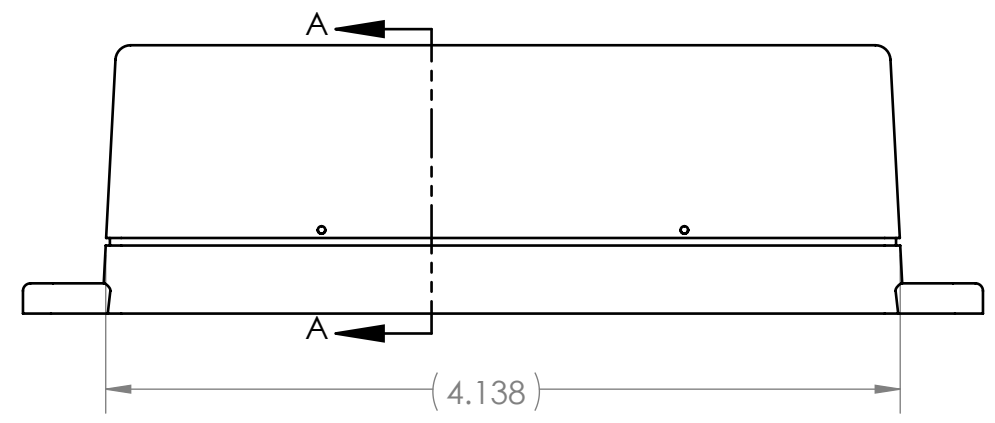
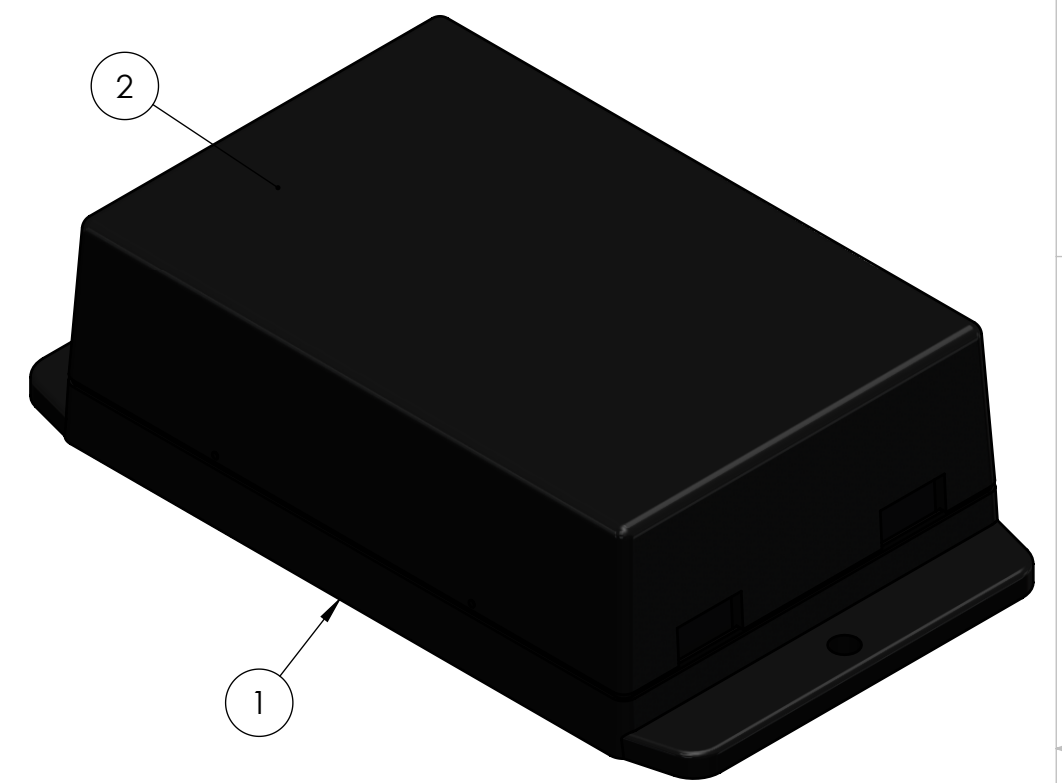
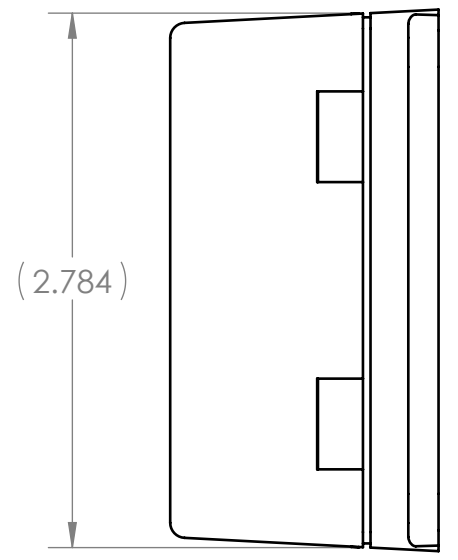
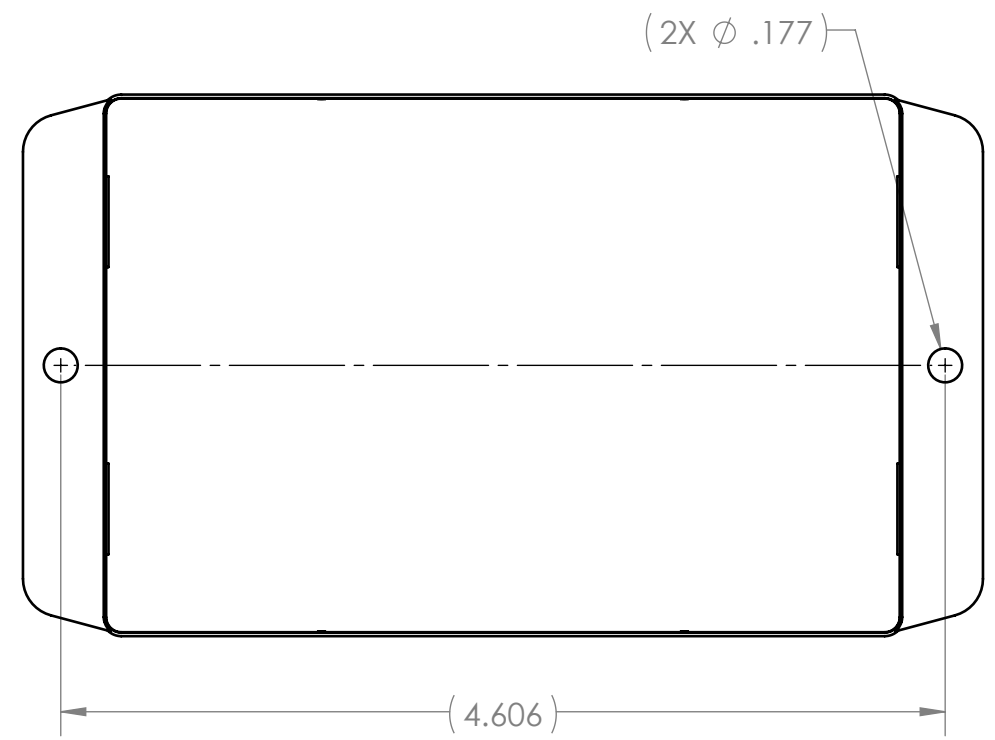


BOM Table							
ITEM NO.	PART NUMBER	Rev.	Description	Material	FlameRating	Color	QTY.
1	SN-27B-01	-	BASE	ABS	UL94-HB	BLACK	1
2	SN-28C-01	-	COVER	ABS	UL94-HB	BLACK	1

D  
C  
B  
A



SECTION A-A

UNLESS OTHERWISE SPECIFIED:  
 DIMENSIONS ARE IN: INCHES[mm]  
 TOLERANCES: ANGULAR: ±°  
 TWO PLACE DECIMAL: ±  
 THREE PLACE DECIMAL: ±  
 PRINTED GRAPHICS: ±.010

PROPRIETARY AND CONFIDENTIAL  
 THE INFORMATION CONTAINED IN THIS  
 DRAWING IS THE SOLE PROPERTY OF  
 POLYCASE. ANY REPRODUCTION IN PART  
 OR AS A WHOLE WITHOUT THE WRITTEN  
 PERMISSION OF POLYCASE IS PROHIBITED.  
 CAD FILE: SN-28

PART NO. SN-28-01		MATERIAL
FLAME RATING		
SIZE <b>B</b>	NAME	DATE
DRAWN	D.M.F.	6/25/2018
CHECKED	-	12/31/2999

**polycase**  
 1305 CHESTER IND. PARKWAY AVON, OHIO 44011-1083 U.S.A.  
 PH#: 1-800-248-1233, 440-934-0444 FAX#: 440-934-0088

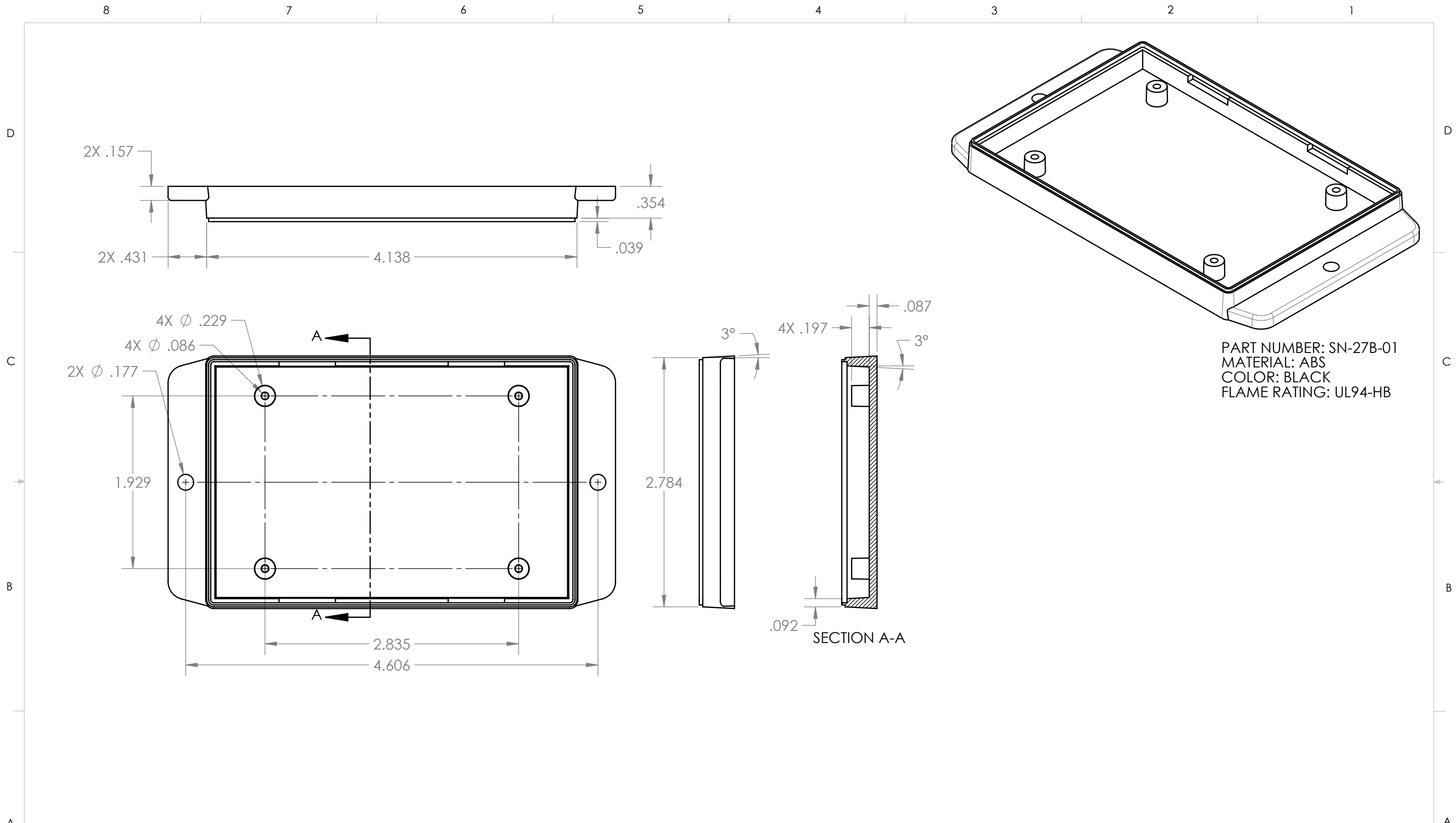
REV  
-

SCALE: 1:1


SHEET 1 OF 1

REV.	DESCRIPTION	ZONE	BY	APPR'D	DATE
	REVISIONS				

8 7 6 5 4 3 2 1



PART NUMBER: SN-27B-01  
 MATERIAL: ABS  
 COLOR: BLACK  
 FLAME RATING: UL94-HB

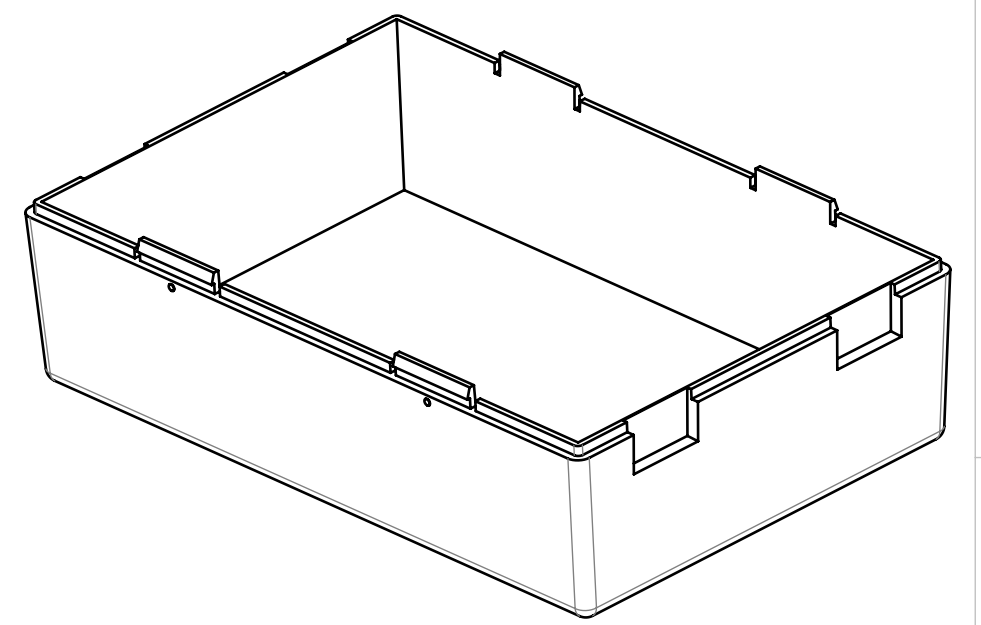
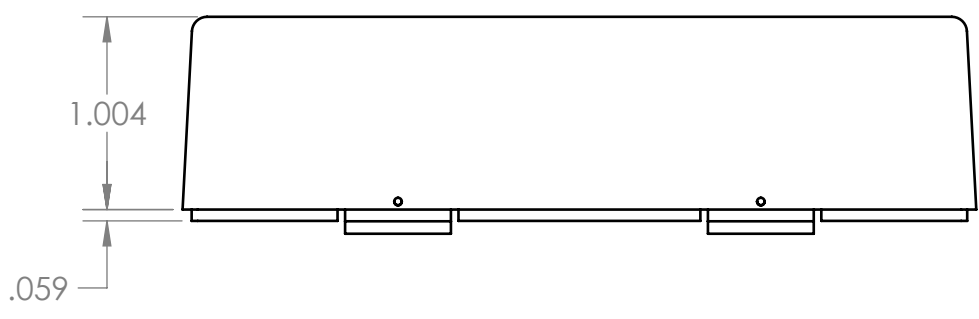
UNLESS OTHERWISE SPECIFIED: DIMENSIONS ARE IN: INCHES[mm] TOLERANCES: ANGULAR: ±.° TWO PLACE DECIMAL: ±. THREE PLACE DECIMAL: ±. PRINTED GRAPHICS: ±.010		PART NO. SN-27B-01		 <small>1305 CHESTER IND. PARKWAY AVON, OHIO 44011-1083 U.S.A.        PH#: 1-800-248-1233, 440-934-0444 FAX#: 440-934-0088</small>	
PROPRIETARY AND CONFIDENTIAL THE INFORMATION CONTAINED IN THIS DRAWING IS THE SOLE PROPERTY OF POLYCASE. ANY REPRODUCTION IN PART OR AS A WHOLE WITHOUT THE WRITTEN PERMISSION OF POLYCASE IS PROHIBITED. CAD FILE: SN-27B		MATERIAL ABS			
REV.		DESCRIPTION		NAME	DATE
REVISIONS				D.M.F.	6/25/2018
				CHECKED	12/31/2999
				SCALE: 1:1	SHEET 1 OF 1

REV.	DESCRIPTION	ZONE	BY	APPR'D	DATE
	REVISIONS				

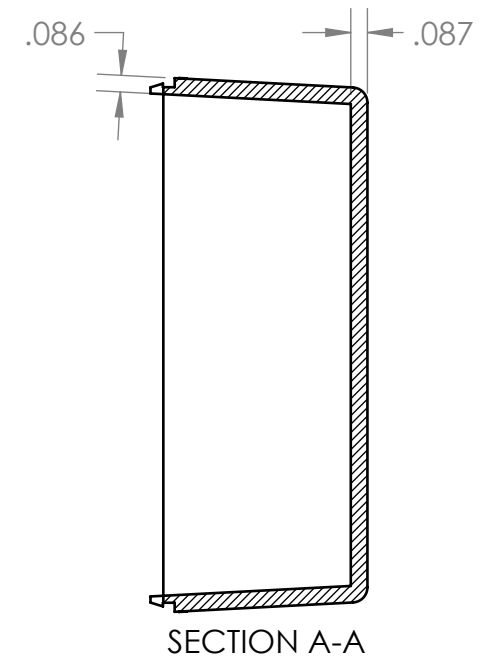
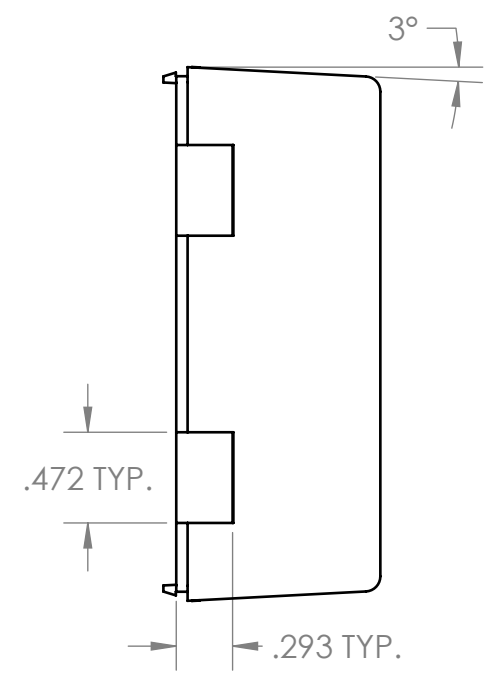
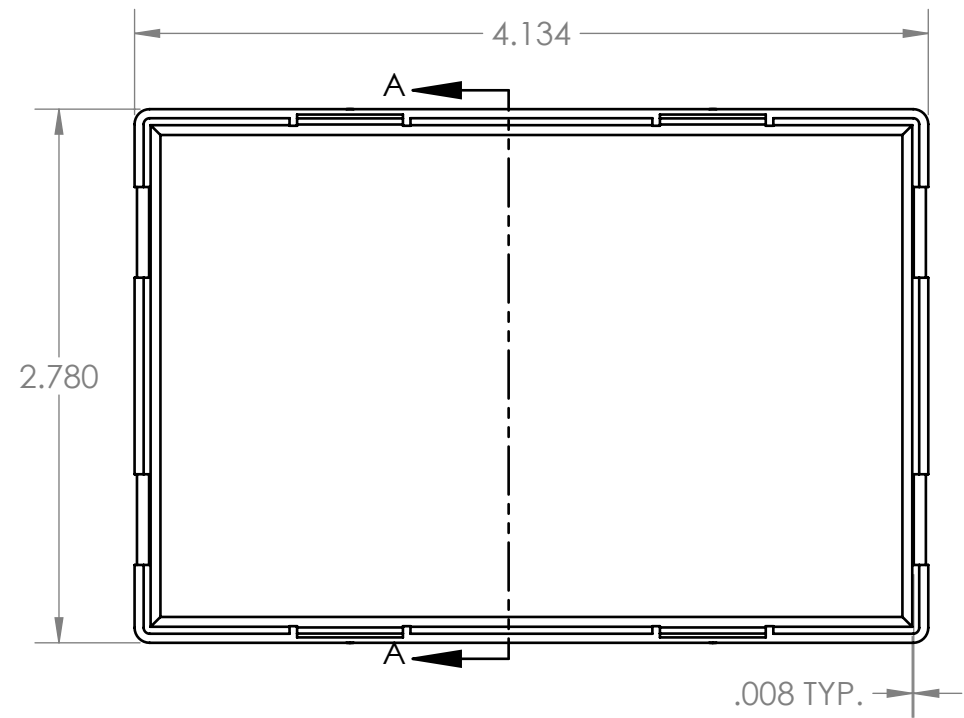
8 7 6 5 4 3 2 1

D  
C  
B  
A

D  
C  
B  
A



PART NUMBER: SN-28C-01  
MATERIAL: ABS  
COLOR: BLACK  
FLAME RATING: UL94-HB



UNLESS OTHERWISE SPECIFIED:  
DIMENSIONS ARE IN: INCHES[mm]  
TOLERANCES: ANGULAR: ±°  
TWO PLACE DECIMAL: ±  
THREE PLACE DECIMAL: ±  
PRINTED GRAPHICS: ±.010  
PROPRIETARY AND CONFIDENTIAL  
THE INFORMATION CONTAINED IN THIS  
DRAWING IS THE SOLE PROPERTY OF  
POLYCASE. ANY REPRODUCTION IN PART  
OR AS A WHOLE WITHOUT THE WRITTEN  
PERMISSION OF POLYCASE IS PROHIBITED.  
CAD FILE: SN-28C

PART NO.  
SN-28C-01  
MATERIAL  
ABS  
FLAME RATING  
UL94-HB

DRAWN	NAME	DATE
CHECKED	D.M.F.	6/25/2018
	-	12/31/2999

**polycase**  
1305 CHESTER IND. PARKWAY AVON, OHIO 44011-1083 U.S.A.  
PH#: 1-800-248-1233, 440-934-0444 FAX#: 440-934-0088

SIZE <b>B</b>	COVER	REV -
SCALE: 1:1	SHEET 1 OF 1	

REV.	DESCRIPTION	ZONE	BY	APPR'D	DATE
	REVISIONS				

8 7 6 5 4 3 2 1