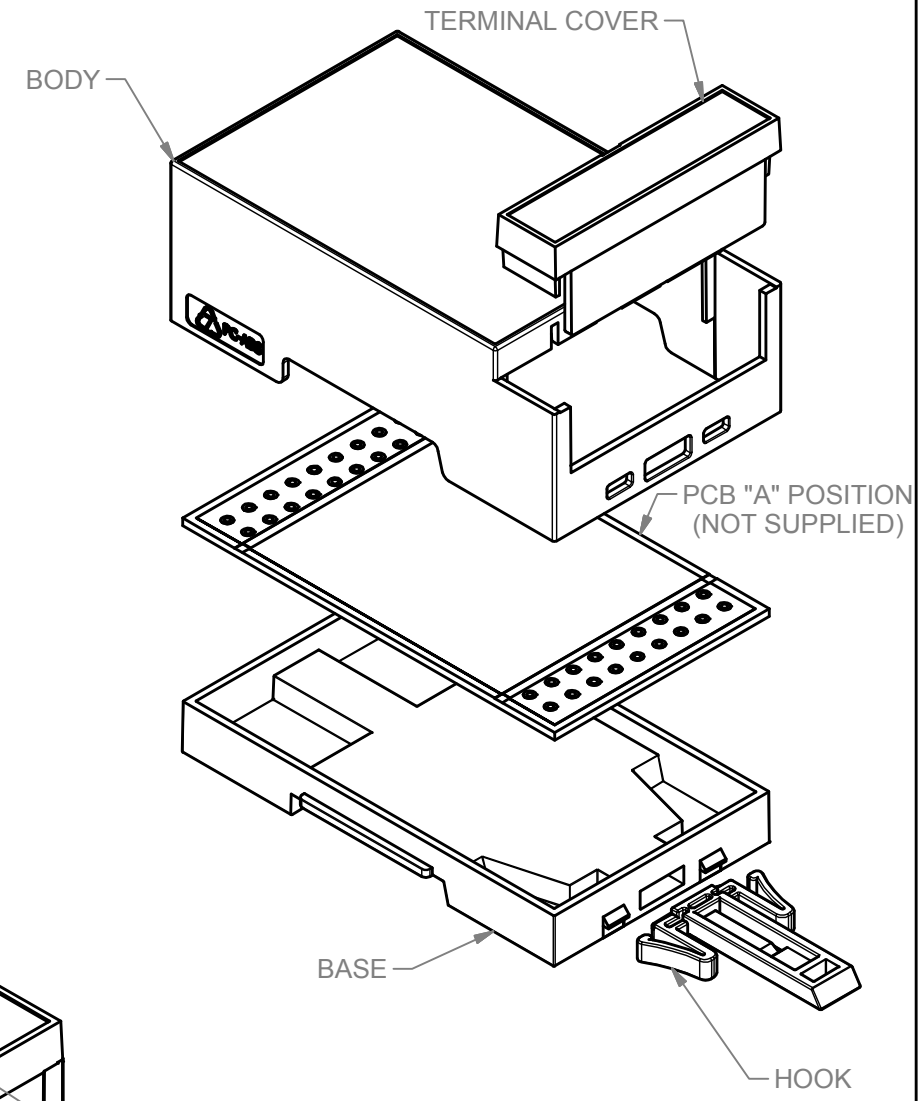
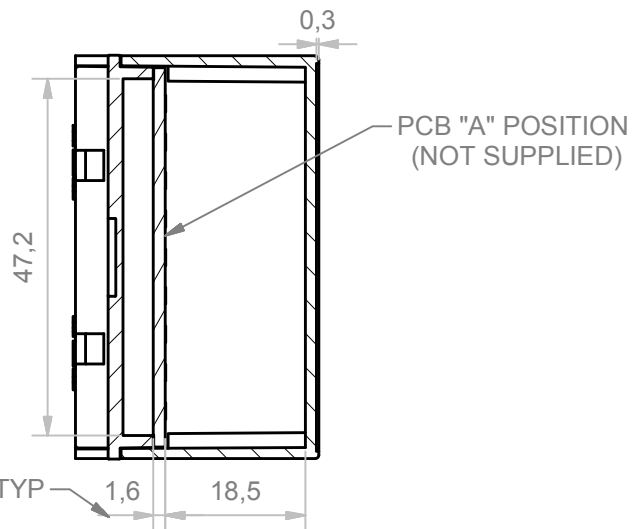
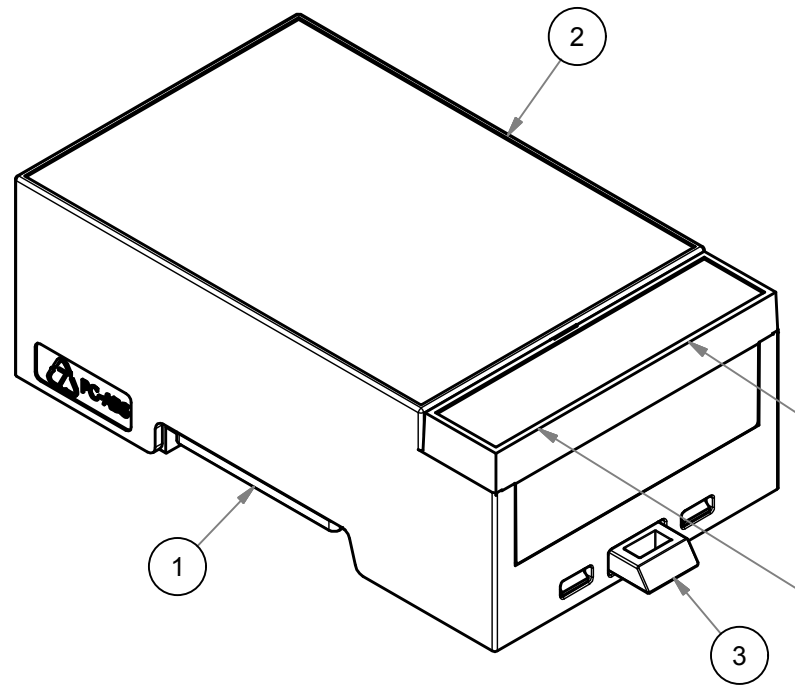
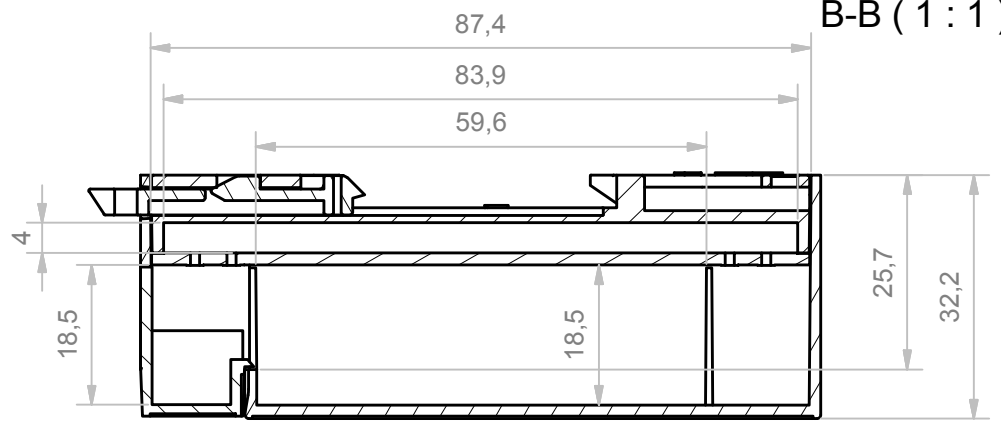


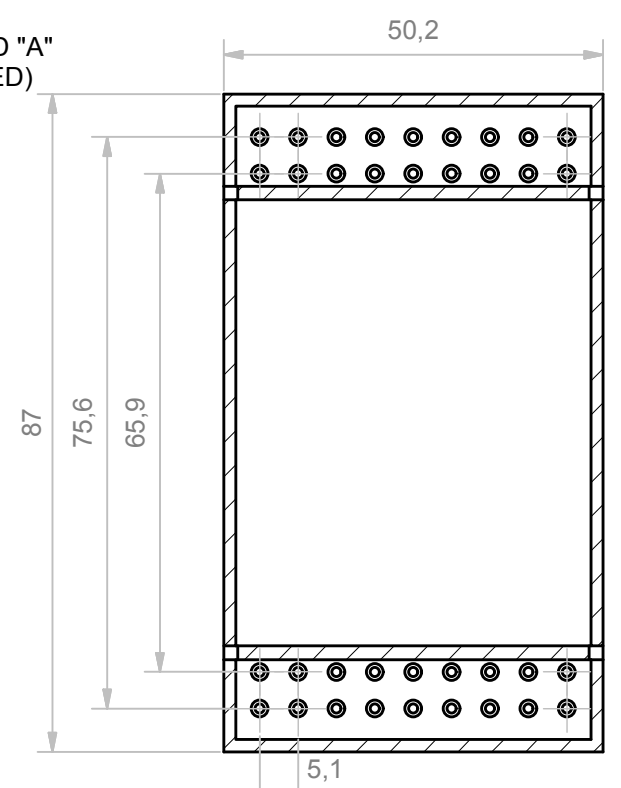
A-A (1:1)



B-B (1:1)



CIRCUIT BOARD "A"
(NOT SUPPLIED)



ZONE NO COMPONENTS

TOLERANCE GENERAL PCB ±0,1 mm

NOT INCLUDED IN KIT
EXAMPLE OF ACCESSORY

Vedere nel sito tutti gli accessori compatibili con il kit.
See in the web site all the accessories compatible with the kit.

General Tolerance UNI EN 22768/1 Media (m)						
da 0.5 a 3	da 3 a 6	da 6 a 30	da 30 a 120	da 120 a 400		
± 0.1	± 0.1	± 0.2	± 0.3	± 0.5		
Scale:	Sheet nr.:	Drawn:	Checked:	Date:	5	4
1 : 1	1 / 1	A. I.	F. F.	06/03/2018	3	2
					1	1
					Revision description	
Dimension in mm		Material:	Weight:	Volume:		
italtronic		Description:				
www.italtronic.com		CONTENITORE MODULBOX XTS 3MHC33-B CHIUSO COMPACT				
techcare@italtronic.com		ENCLOSURE MODULBOX XTS 3MHC33-B CLOSED COMPACT				
				Drawing nr.	Rev.	
				3.250.00007	01	

RIF.	Q.TY	DESCRIPTION	DRAWING
1	1	BASE MODULBOX XT/XTS - 3M	1.001.01982
2	1	BODY MODULBOX XTS 3MHC33-B CLOSED COMPACT	2.250.00004
3	1	MODULAR HOOK LONG	1.001.01900

Aggiornato cartiglio con nuovo codice (codice superato M-05171-00). Separata vista corpo con vista assieme. 06/03/18 I.A.
 RESERVED PROPERTY: The present drawing cannot be reproduced or communicated to 3rd parties, even partially, without the authorization of ITALTRONIC Srl. Italtronic reserves to protect its own rights according to the law.