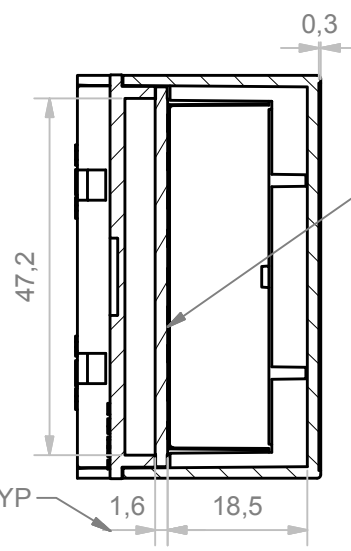
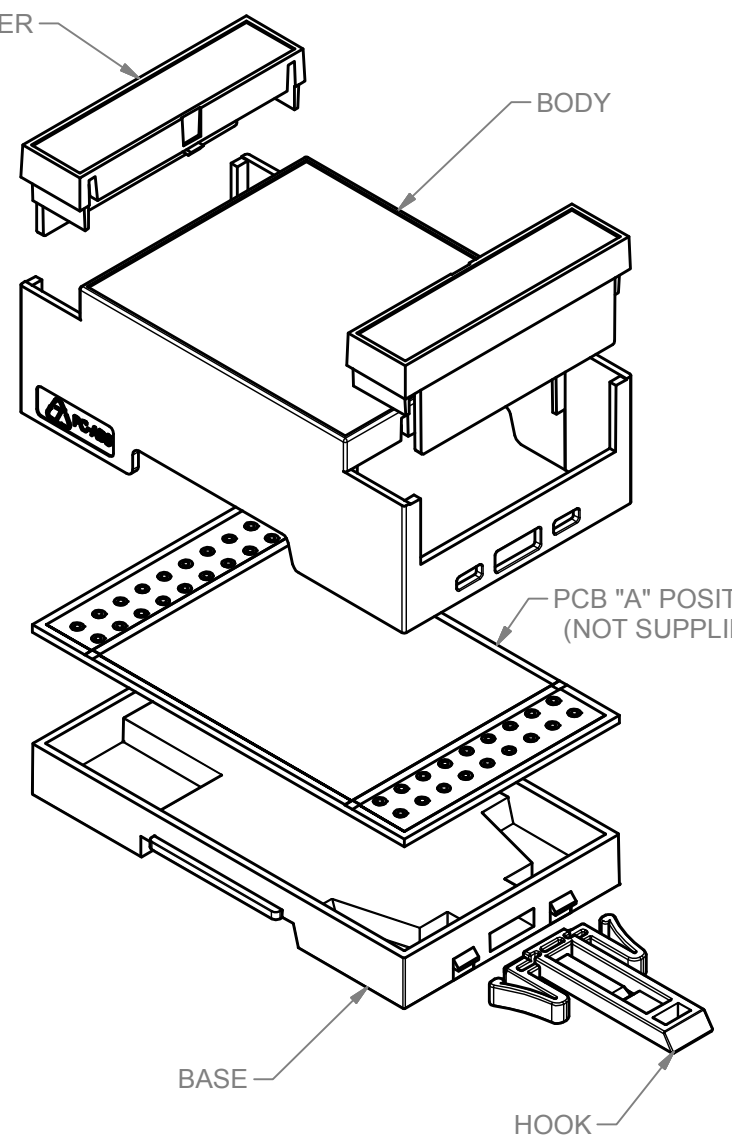


A-A (1:1)



TERMINAL COVER

BODY

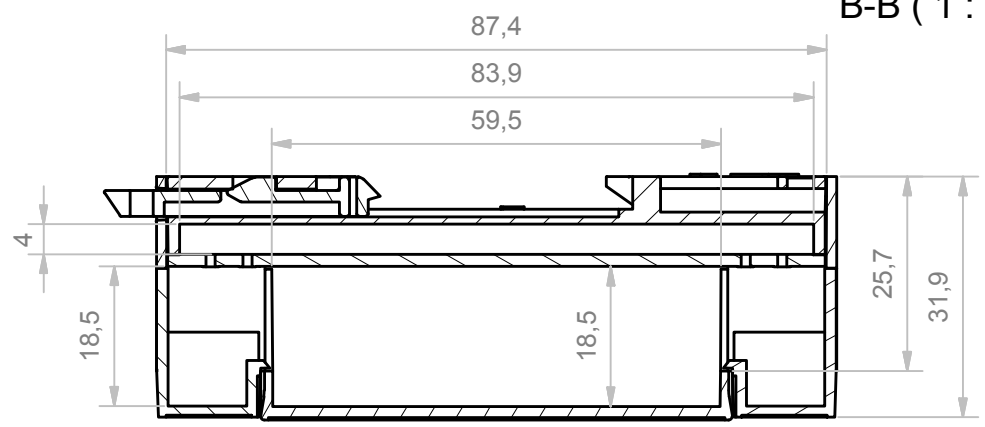


PCB "A" POSITION (NOT SUPPLIED)

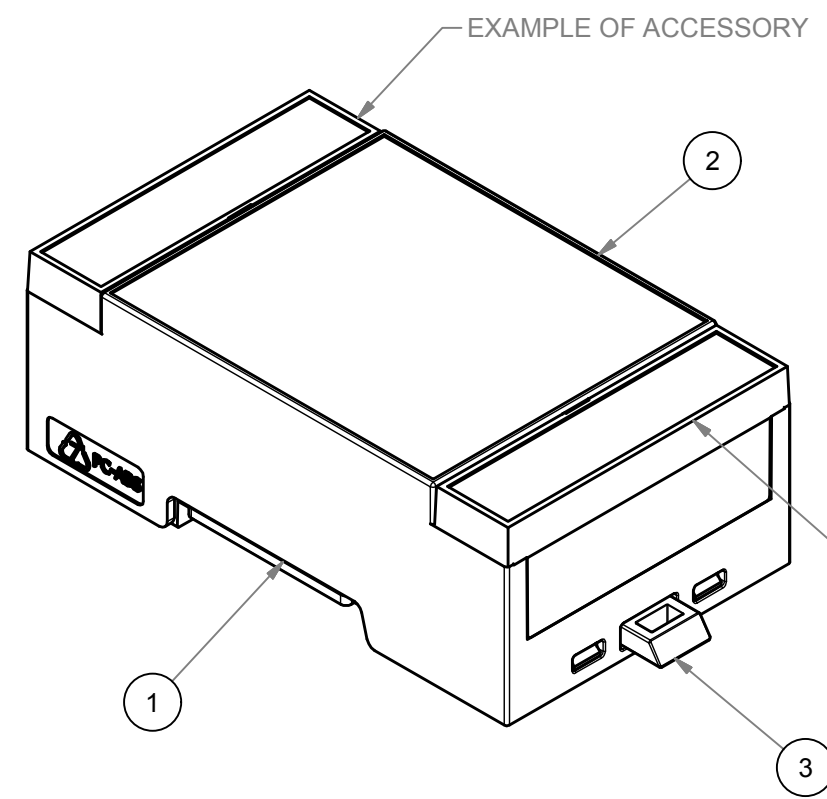
BASE

HOOK

B-B (1:1)

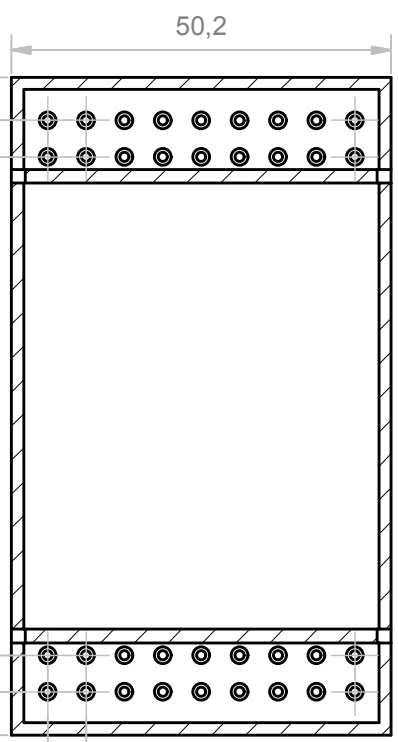


EXAMPLE OF ACCESSORY



NOT INCLUDED IN KIT

CIRCUIT BOARD "A" (NOT SUPPLIED)



TOLERANCE GENERAL PCB ±0,1 mm

ZONE NO COMPONENTS

RIF.	Q.TY	DESCRIPTION	DRAWING
1	1	BASE MODULBOX XT/XTS - 3M	1.001.01982
2	1	BODY MODULBOX XTS 3MHC33-A CLOSED COMPACT	2.250.00003
3	1	MODULAR HOOK LONG	1.001.01900

Vedere nel sito tutti gli accessori compatibili con il kit.
See in the web site all the accessories compatible with the kit.

General Tolerance UNI EN 22768/1 Media (m)				
da 0.5 a 3	da 3 a 6	da 6 a 30	da 30 a 120	da 120 a 400
± 0.1	± 0.1	± 0.2	± 0.3	± 0.5
Scale: 1:1	Sheet nr.: 1/1	Drawn: A. I.	Checked: F.F.	Date: 06/03/2018
				5 4 3 2 1
				Revision description
Dimension in mm		Material:	Weight:	Volume:

italtronic
www.italtronic.com
techcare@italtronic.com

Description:
CONTENITORE MODULBOX XTS 3MHC33-A CHIUSO COMPACT
ENCLOSURE MODULBOX XTS 3MHC33-A CLOSED COMPACT

Drawing nr. **3.250.00006** Rev. **01**

Aggiornato cartiglio con nuovo codice (codice superato M-05170-01). Separata vista corpo con vista assieme. 06/03/18 I.A.

RESERVED PROPERTY: The present drawing cannot be reproduced or communicated to 3rd parties, even partially, without the authorization of ITALTRONIC Srl. Italtronic reserves to protect its own rights according to the law.