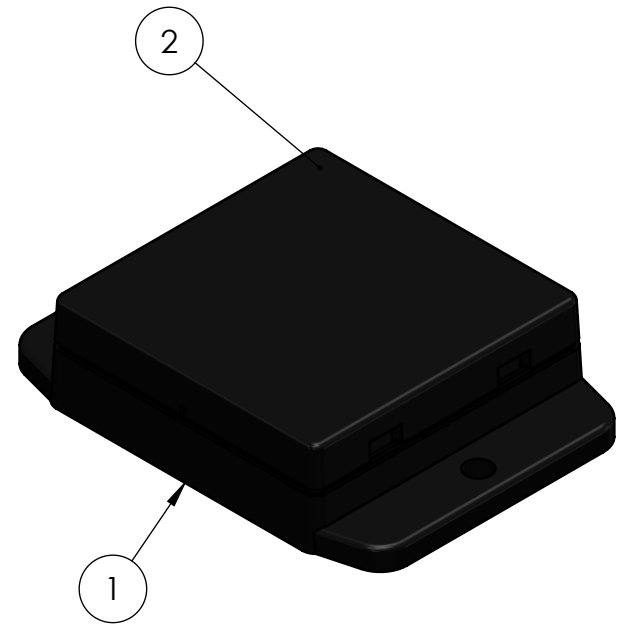
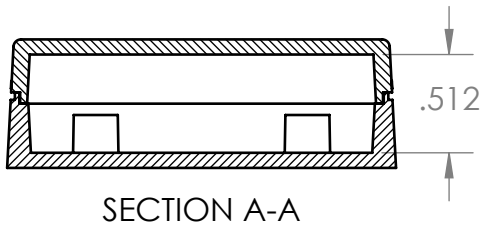
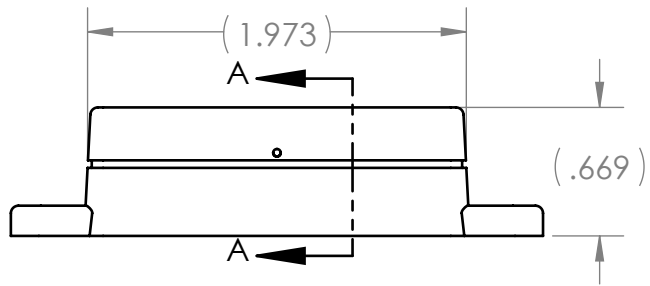
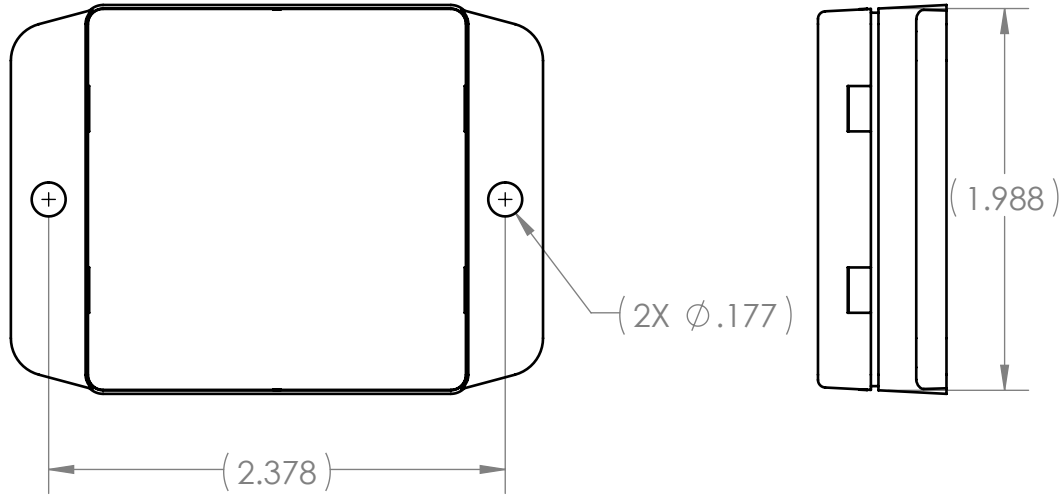


BOM Table							
ITEM NO.	PART NUMBER	Rev.	Description	Material	FlameRating	Color	QTY.
1	SN-21B-01	-	BASE	ABS	UL94-HB	BLACK	1
2	SN-21C-01	-	COVER	ABS	UL94-HB	BLACK	1



UNLESS OTHERWISE SPECIFIED:  
 DIMENSIONS ARE IN: INCHES[mm]  
 TOLERANCES: ANGULAR: ±°  
 TWO PLACE DECIMAL: ±  
 THREE PLACE DECIMAL: ±  
 PRINTED GRAPHICS: ±.010

PROPRIETARY AND CONFIDENTIAL  
 THE INFORMATION CONTAINED IN THIS  
 DRAWING IS THE SOLE PROPERTY OF  
 POLYCASE. ANY REPRODUCTION IN PART  
 OR AS A WHOLE WITHOUT THE WRITTEN  
 PERMISSION OF POLYCASE IS PROHIBITED.  
 CAD FILE: SN-21

PART NO.  
 SN-21-01

MATERIAL

FLAME RATING

SIZE  
**A**

NAME DATE  
 D.M.F. 6/25/2018

DRAWN CHECKED  
 - 12/31/2999

**polycase**  
 1305 CHESTER IND. PARKWAY AVON, OHIO 44011-1083 U.S.A.  
 PH#: 1-800-248-1233, 440-934-0444 FAX#: 440-934-0088

REV  
 -

SCALE: 1:1

SHEET 1 OF 1

REV.	DESCRIPTION	ZONE	BY	APPR'D	DATE
	REVISIONS				

5

4

3

2

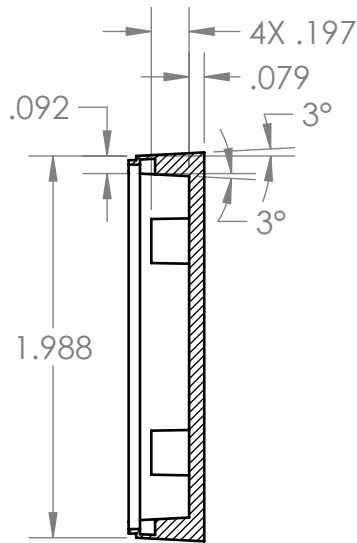
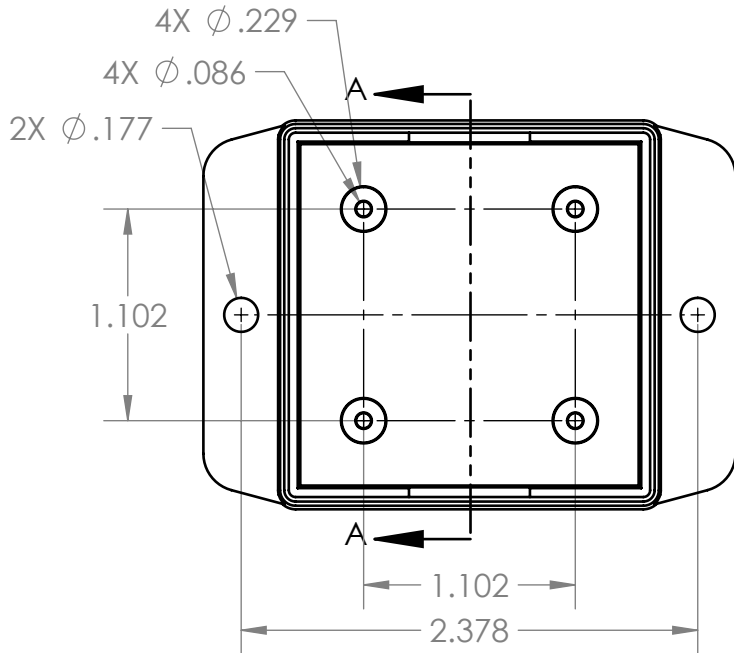
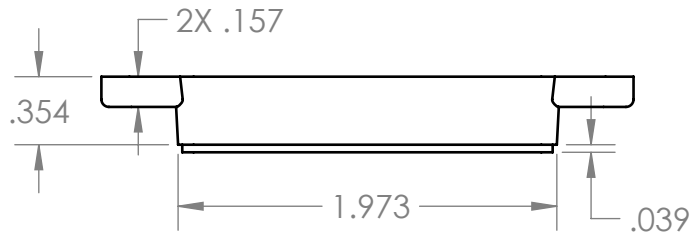
1

D

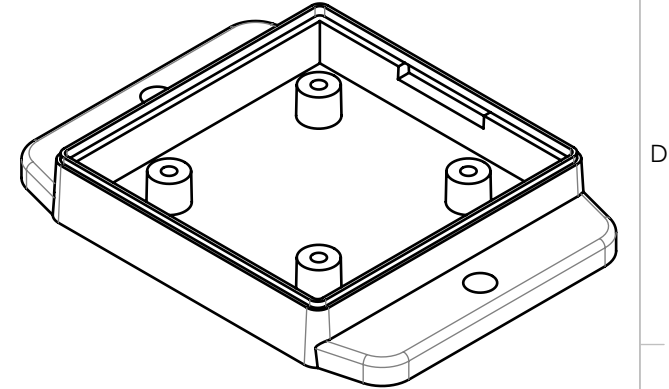
C

B


A



SECTION A-A



PART NUMBER: SN-21B-01  
MATERIAL: ABS  
COLOR: BLACK  
FLAME RATING: UL94-HB

UNLESS OTHERWISE SPECIFIED: DIMENSIONS ARE IN: INCHES [mm] TOLERANCES: ANGULAR: ±° TWO PLACE DECIMAL: ± THREE PLACE DECIMAL: ± PRINTED GRAPHICS: ±.010	PART NO. SN-21B-01		 <small>1305 CHESTER IND. PARKWAY AVON, OHIO 44011-1083 U.S.A. PH#: 1-800-248-1233, 440-934-0444 FAX#: 440-934-0088</small>
	MATERIAL ABS		
PROPRIETARY AND CONFIDENTIAL THE INFORMATION CONTAINED IN THIS DRAWING IS THE SOLE PROPERTY OF POLYCASE. ANY REPRODUCTION IN PART OR AS A WHOLE WITHOUT THE WRITTEN PERMISSION OF POLYCASE IS PROHIBITED. CAD FILE: SN-21B	FLAME RATING UL94-HB	SIZE <b>A</b>	BASE REV -
	DRAWN CHECKED	NAME D.M.F. -	DATE 6/25/2018 12/31/2999
SCALE: 1:1		SHEET 1 OF 1	

REV.	DESCRIPTION	ZONE	BY	APPR'D	DATE
REVISIONS					

5

4

3

2

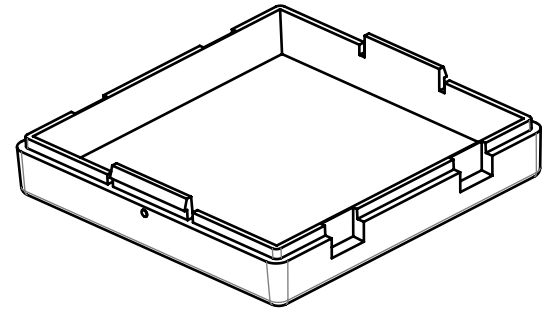
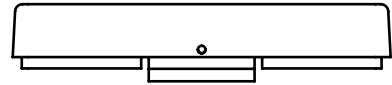
1

A

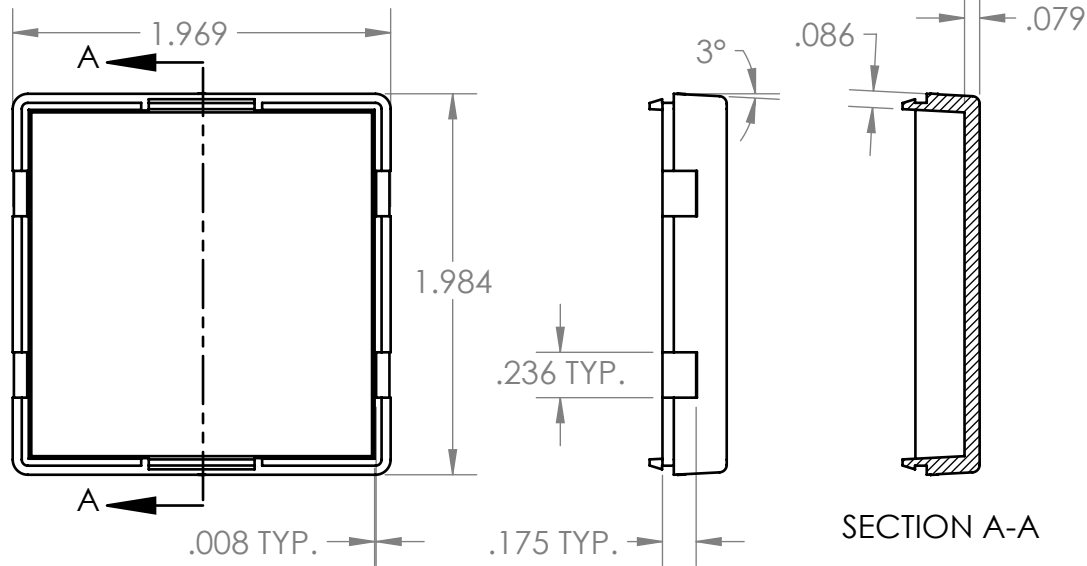
B


C

D



PART NUMBER: SN-21C-01  
 MATERIAL: ABS  
 COLOR: BLACK  
 FLAME RATING: UL94-HB



UNLESS OTHERWISE SPECIFIED: DIMENSIONS ARE IN: INCHES [mm] TOLERANCES: ANGULAR: ±° TWO PLACE DECIMAL: ± THREE PLACE DECIMAL: ± PRINTED GRAPHICS: ±.010	PART NO. SN-21C-01		 <small>1305 CHESTER IND. PARKWAY AVON, OHIO 44011-1083 U.S.A.          PH#: 1-800-248-1233, 440-934-0444 FAX#: 440-934-0088</small>
	MATERIAL ABS		
PROPRIETARY AND CONFIDENTIAL THE INFORMATION CONTAINED IN THIS DRAWING IS THE SOLE PROPERTY OF POLYCASE. ANY REPRODUCTION IN PART OR AS A WHOLE WITHOUT THE WRITTEN PERMISSION OF POLYCASE IS PROHIBITED. CAD FILE: SN-21C	FLAME RATING UL94-HB	SIZE <b>A</b>	COVER REV -
	DRAWN CHECKED	NAME D.M.F. -	DATE 6/25/2018 12/31/2999
SCALE: 1:1		SHEET 1 OF 1	

REV.	DESCRIPTION	ZONE	BY	APPR'D	DATE
REVISIONS					

5

4

3

2

1