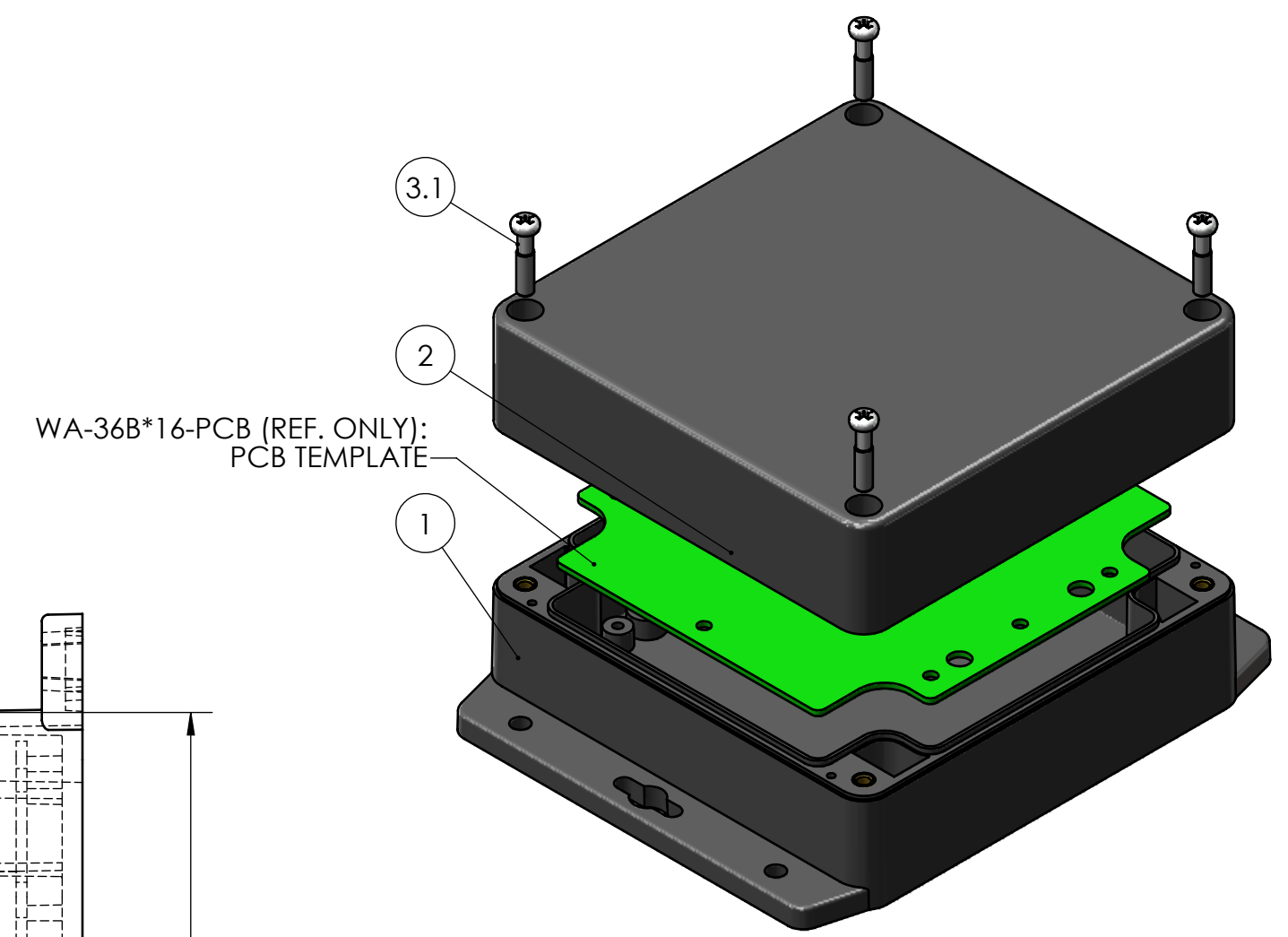
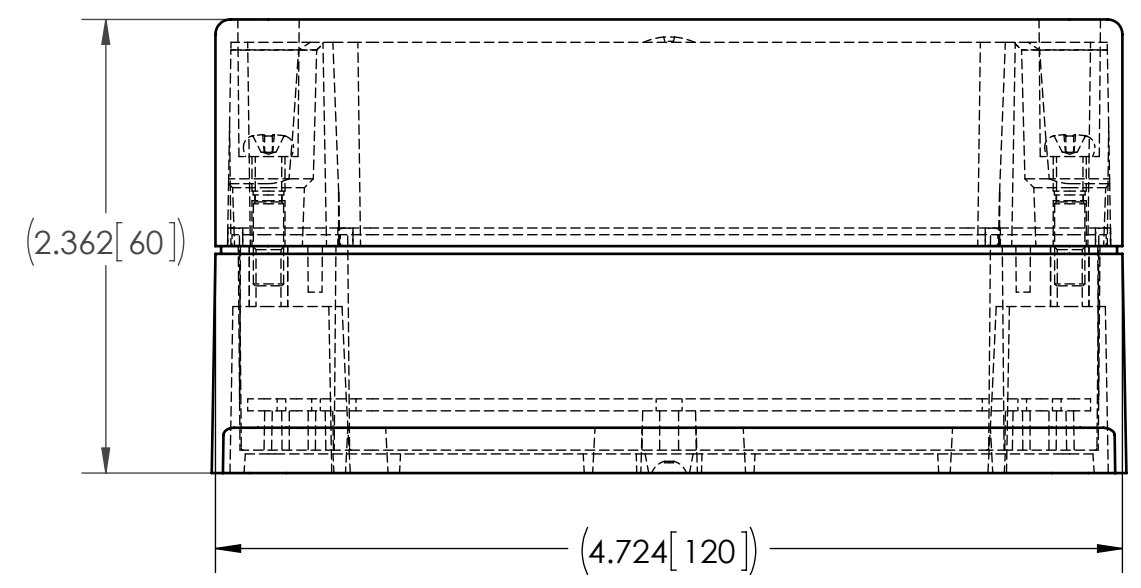
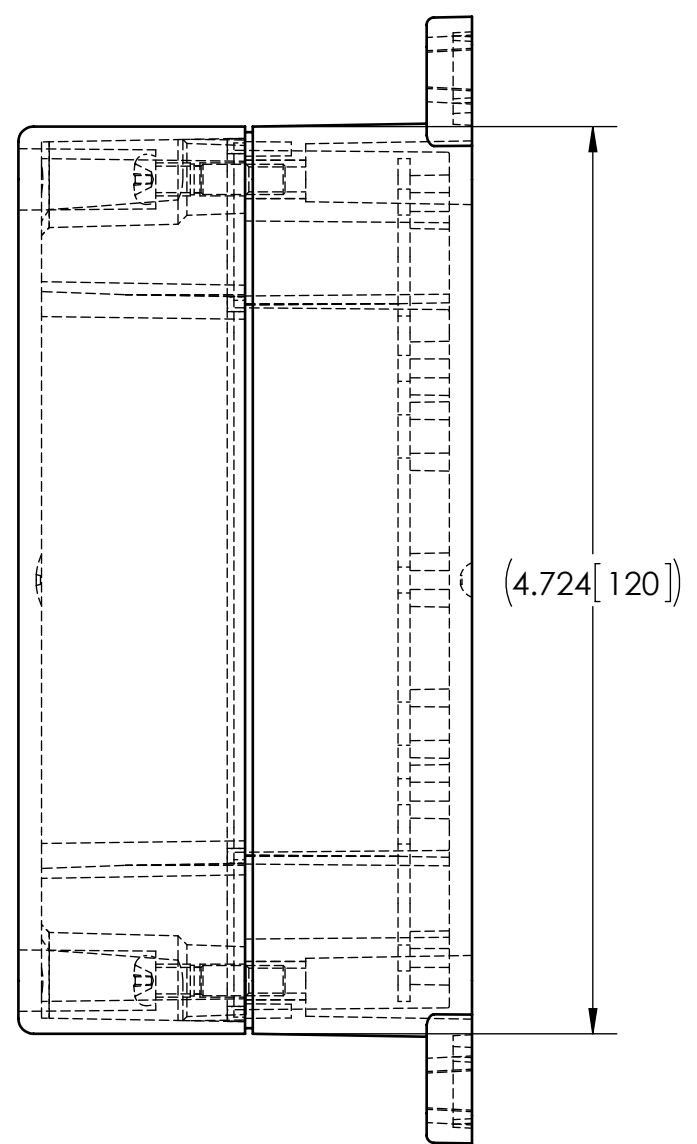
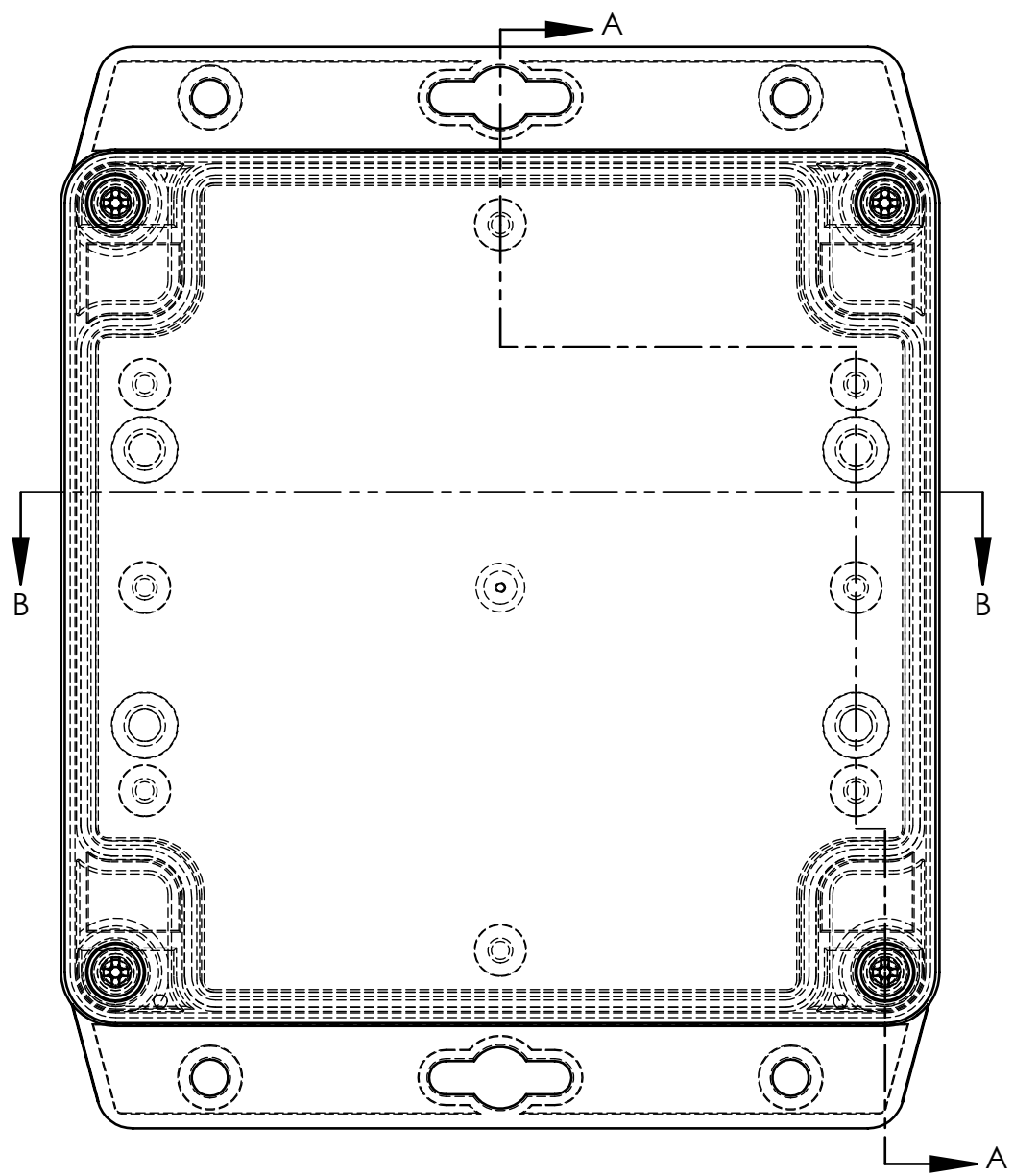
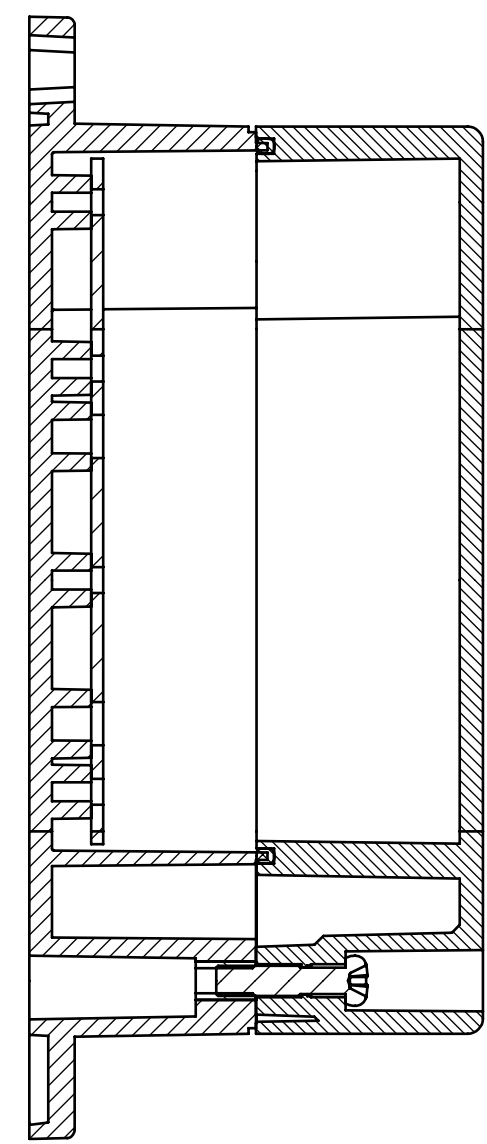
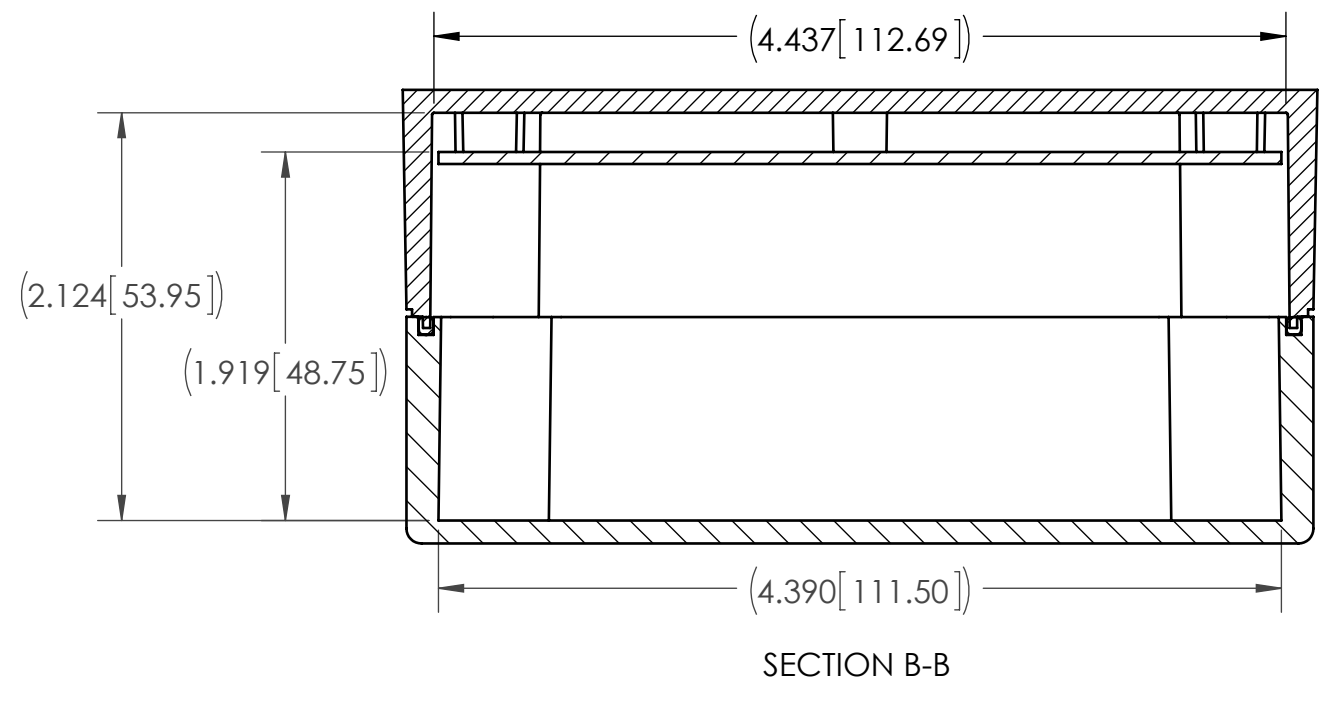


ITEM NO.	PART NUMBER	Rev.	DESCRIPTION	MATERIAL	FlameRating	Color	QTY.
1	WA-36BF*16	-	WA BASE, W/MOUNTING BOSSES	ABS	UL94-HB (UL FILE E56070)	DARK GRAY	1
2	WA-36C*16	-	WA COVER, W/GASKET	ABS	UL94-HB (UL FILE E56070)	DARK GRAY	1
3	SCREWS-SSM4-20-4	-	ASSEMBLY SCREWS, 4 PACK				1
3.1	SCREWS-SSM4-20	-.01	M4X0.7 X 20mm OAL, PHILLIPS DRIVE MACHINE SCREW	STAINLESS STEEL			4

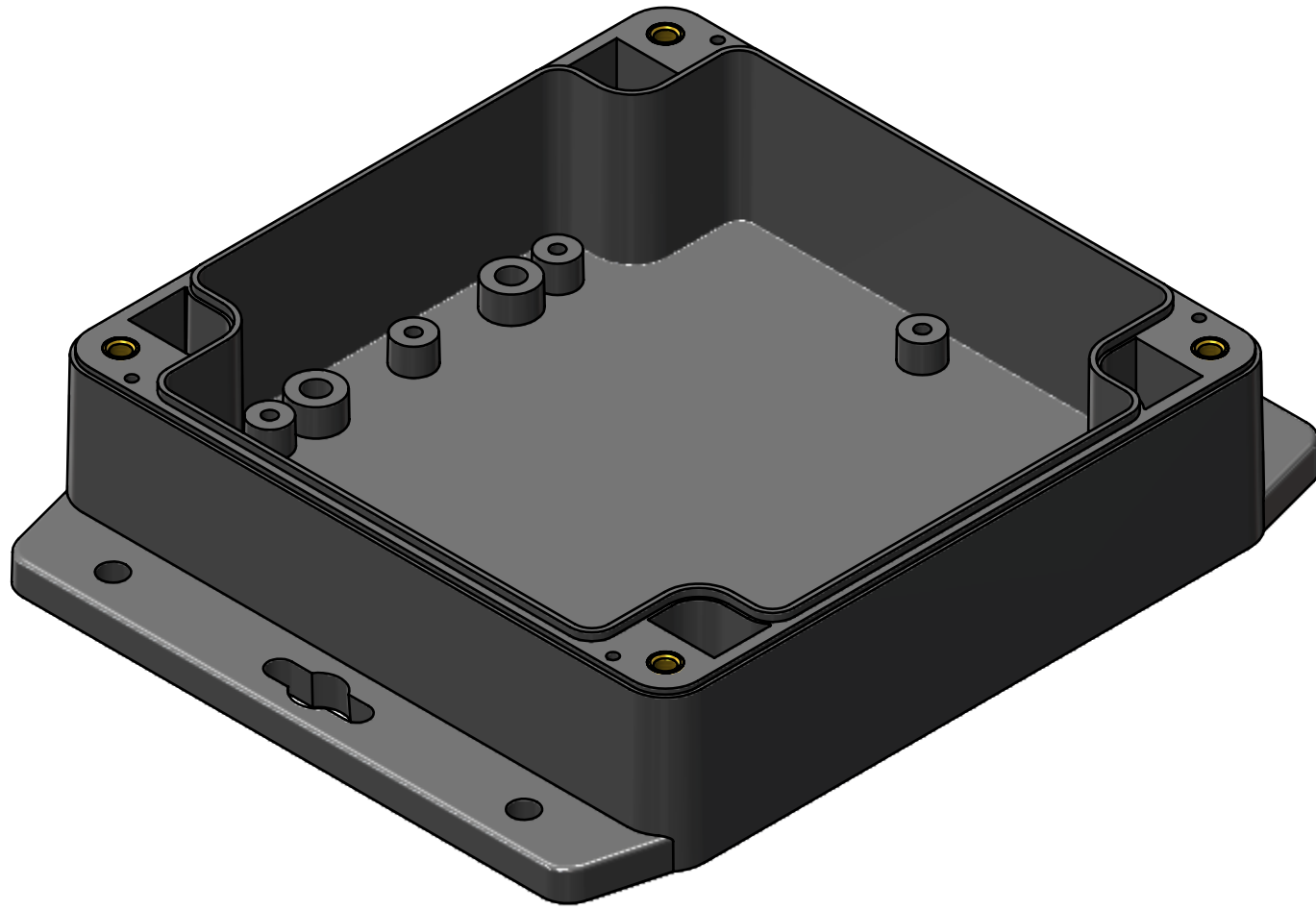
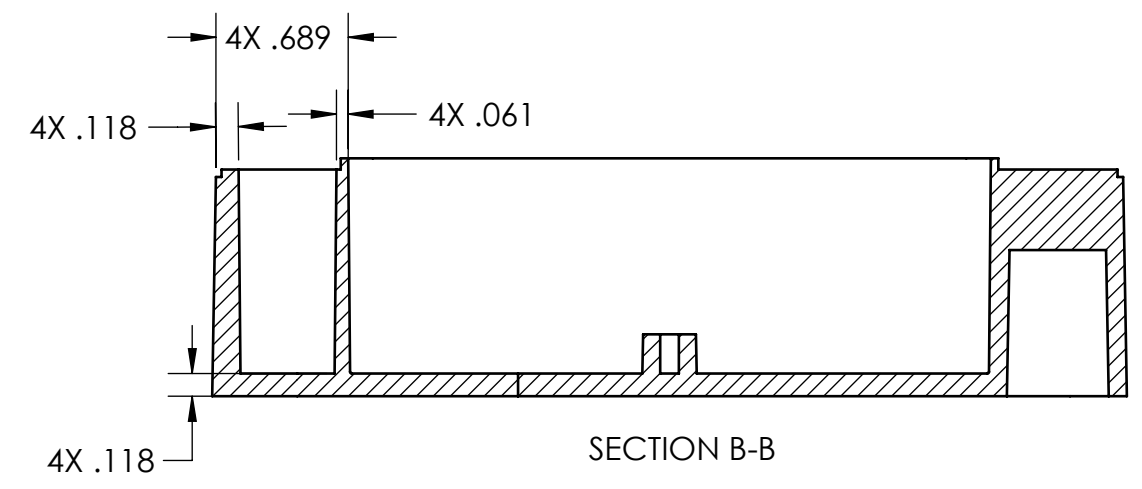
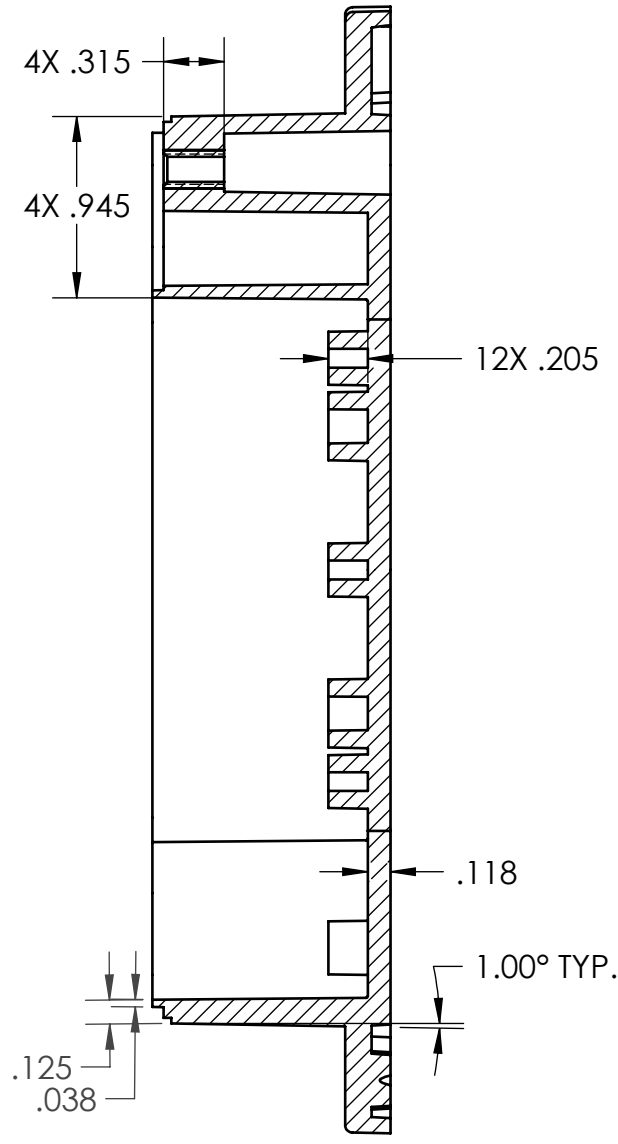
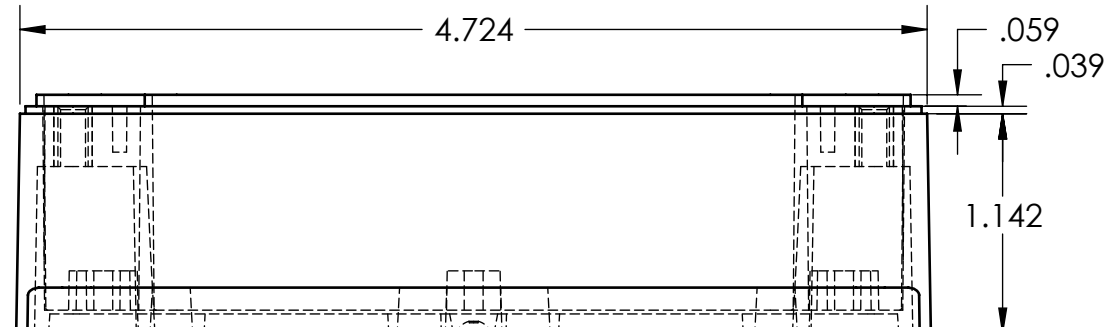
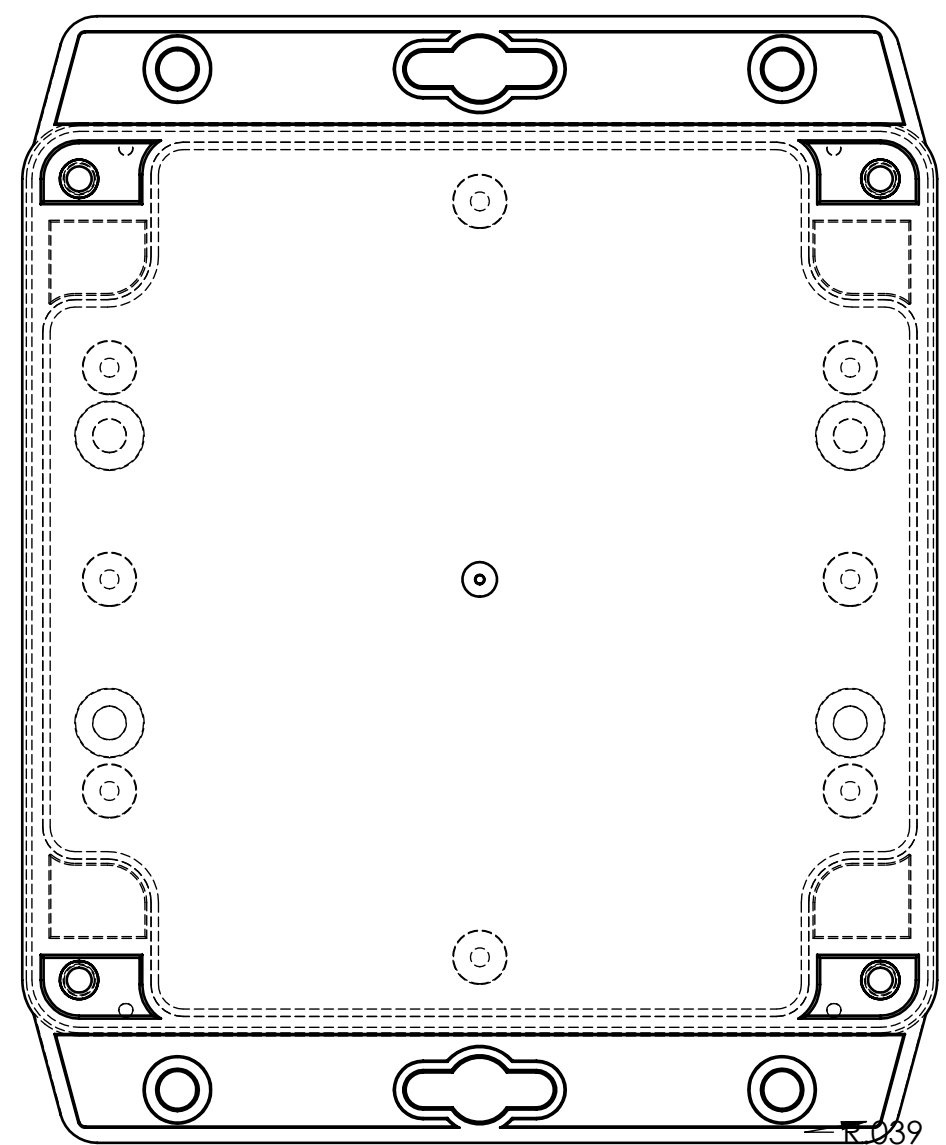
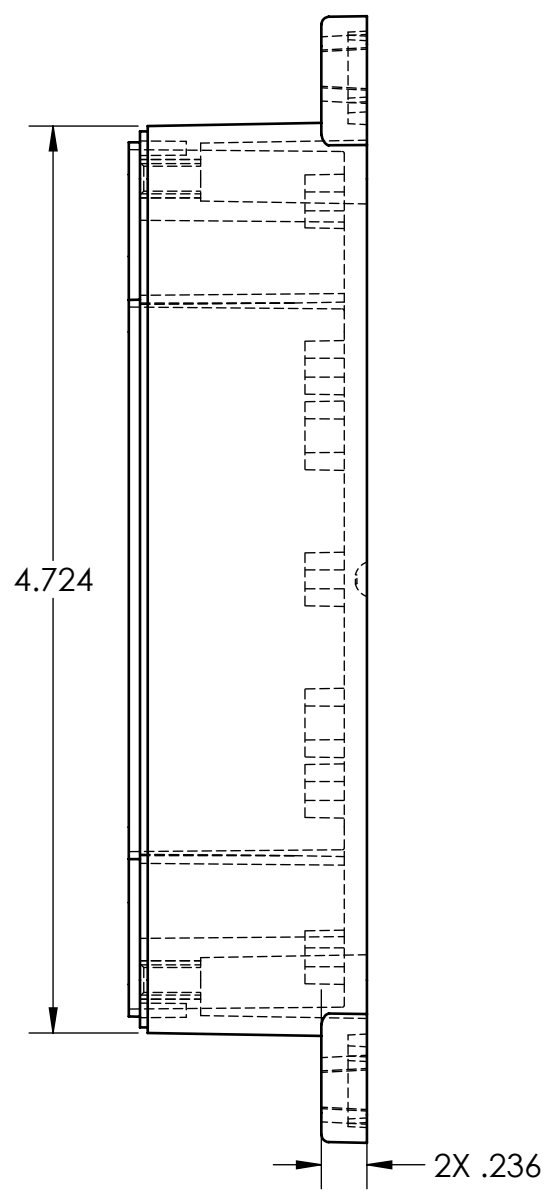
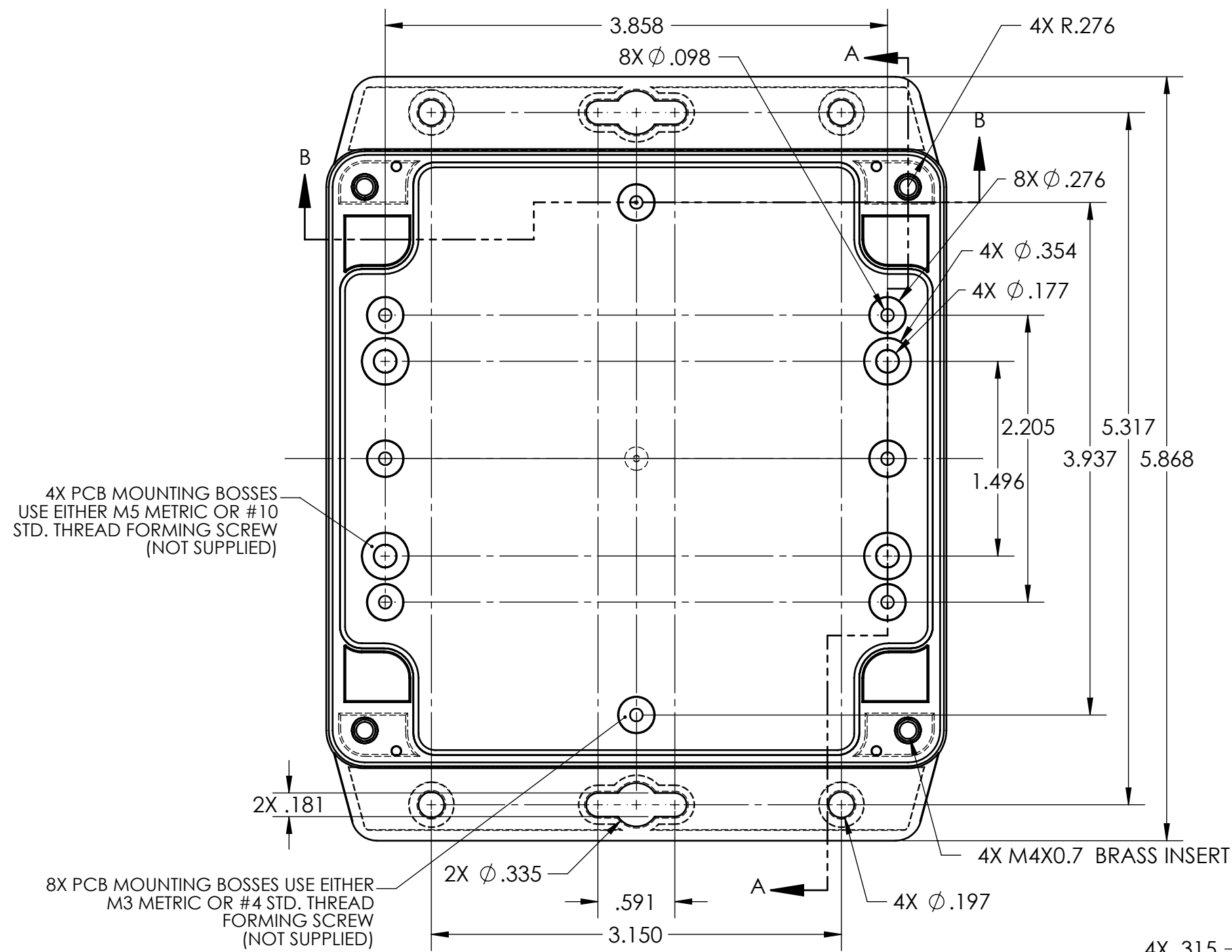


- NOTES:
- SERVICE TEMPERATURE RANGE: -40°C TO 80°C
 - DESIGNED TO NEMA 1, 2, 4, 4X, 12, 13
 - UL LISTED TO UL508-4X SPECIFICATIONS (UL FILE #E194432).

UNLESS OTHERWISE SPECIFIED: DIMENSIONS ARE IN: INCHES[mm] TOLERANCES: ANGULAR: ±2° TWO PLACE DECIMAL: ±.030 THREE PLACE DECIMAL: ±.015 PRINTED GRAPHICS: ±.010		PART NO. WA-36F*16		 1305 CHESTER RD. PARKWAY AVON, OHIO 44011-1083 U.S.A. PH: 1-800-248-1233 440-934-0044 FAX: 440-934-0088	
PROPRIETARY AND CONFIDENTIAL THE INFORMATION CONTAINED IN THIS DRAWING IS THE SOLE PROPERTY OF POLYCASE. ANY REPRODUCTION IN PART OR AS A WHOLE WITHOUT THE WRITTEN PERMISSION OF POLYCASE IS PROHIBITED. CAD FILE: WA-36F*16		MATERIAL			
FLAME RATING UL94-HB		SIZE C		Product Assembly Drawing	
DRAWN CHECKED		NAME DATE		REV	
SCALE: 1:1		6/9/2014 6/13/2014		SHEET 1 OF 1	

REV.	DESCRIPTION	ZONE	BY	APPR'D	DATE
REVISIONS					

		TOLERANCE CHART															
DIMENSION RANGE	0	.039	.118	.236	.394	.591	.866	1.181	1.575	2.087	2.756	3.543	4.724	6.299	7.874		
	TOOL DEPENDENT	±.007	±.007	±.008	±.008	±.009	±.011	±.012	±.013	±.015	±.017	±.020	±.024	±.028	±.035		
NON-TOOL DEPENDENT	±.003	±.004	±.004	±.004	±.005	±.006	±.007	±.008	±.009	±.011	±.013	±.016	±.020	±.024	±.031		

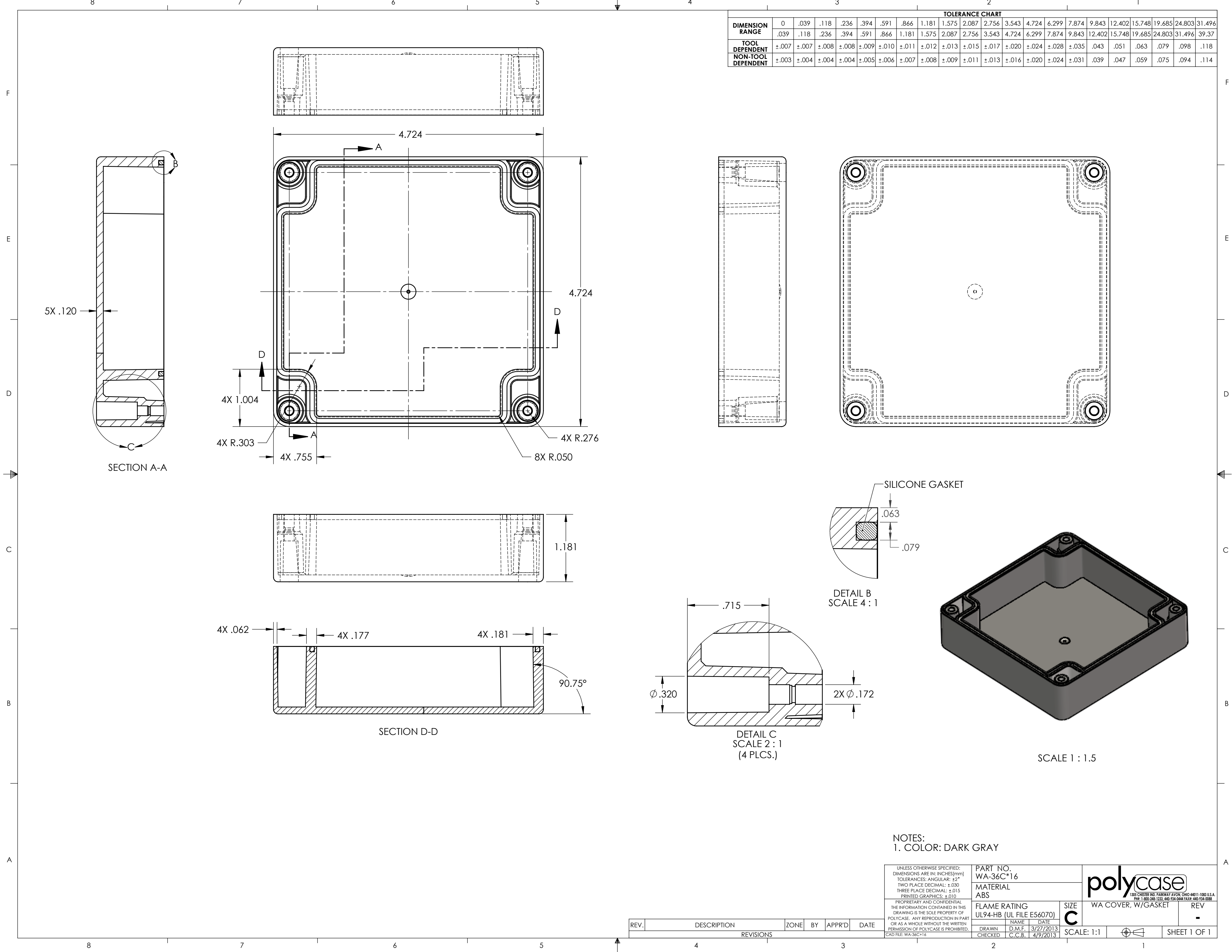


NOTES:
1. COLOR: DARK GRAY

REV.	DESCRIPTION	ZONE	BY	APP'D	DATE
REVISIONS					

UNLESS OTHERWISE SPECIFIED: DIMENSIONS ARE IN: INCHES[mm] TOLERANCES: ANGULAR: ±2° TWO PLACE DECIMAL: ±. THREE PLACE DECIMAL: ±. PRINTED GRAPHICS: ±.010	PART NO. WA-36BF*16	 <small>1305 CHESTER RD. PARKWAY AVON, OHIO 44011-1083 U.S.A. PH: 1-800-248-1233 440-934-0444 FAX: 440-934-0088</small>	WA BASE, W/MOUNTING BOSSES	REV
	MATERIAL ABS			
PROPRIETARY AND CONFIDENTIAL THE INFORMATION CONTAINED IN THIS DRAWING IS THE SOLE PROPERTY OF POLYCASE. ANY REPRODUCTION IN PART OR AS A WHOLE WITHOUT THE WRITTEN PERMISSION OF POLYCASE IS PROHIBITED. CAD FILE: WA-36BF*16	NAME D.M.F.	DATE 6/9/2014	SCALE: 1:1	SHEET 1 OF 1

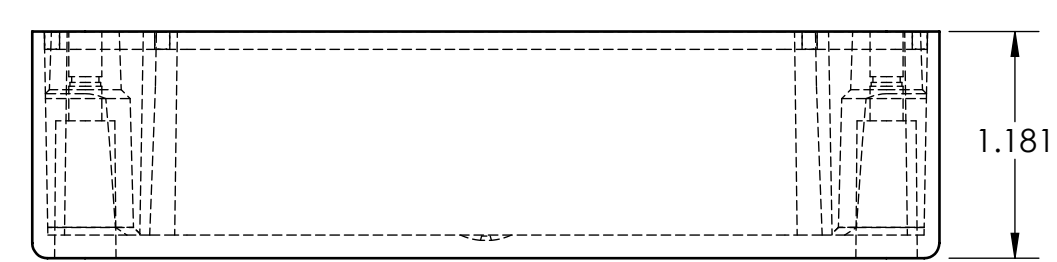
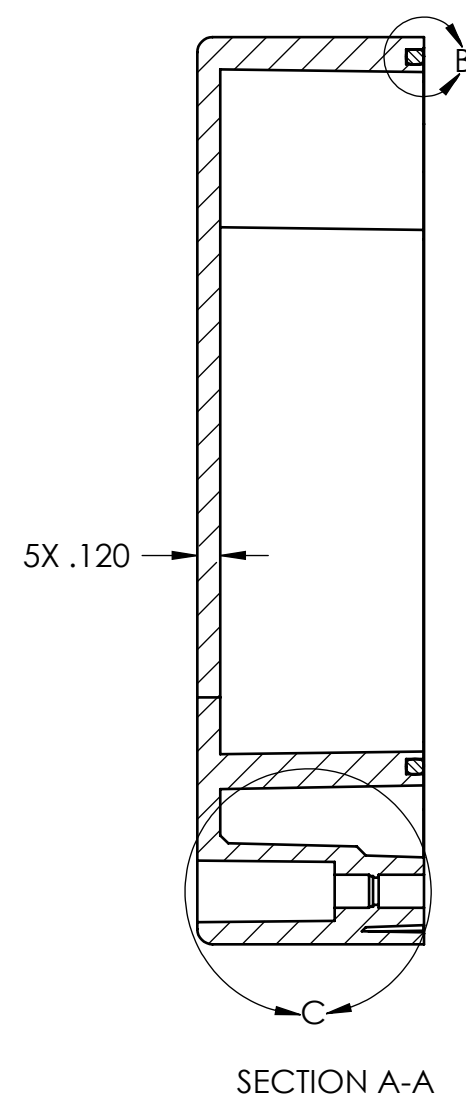
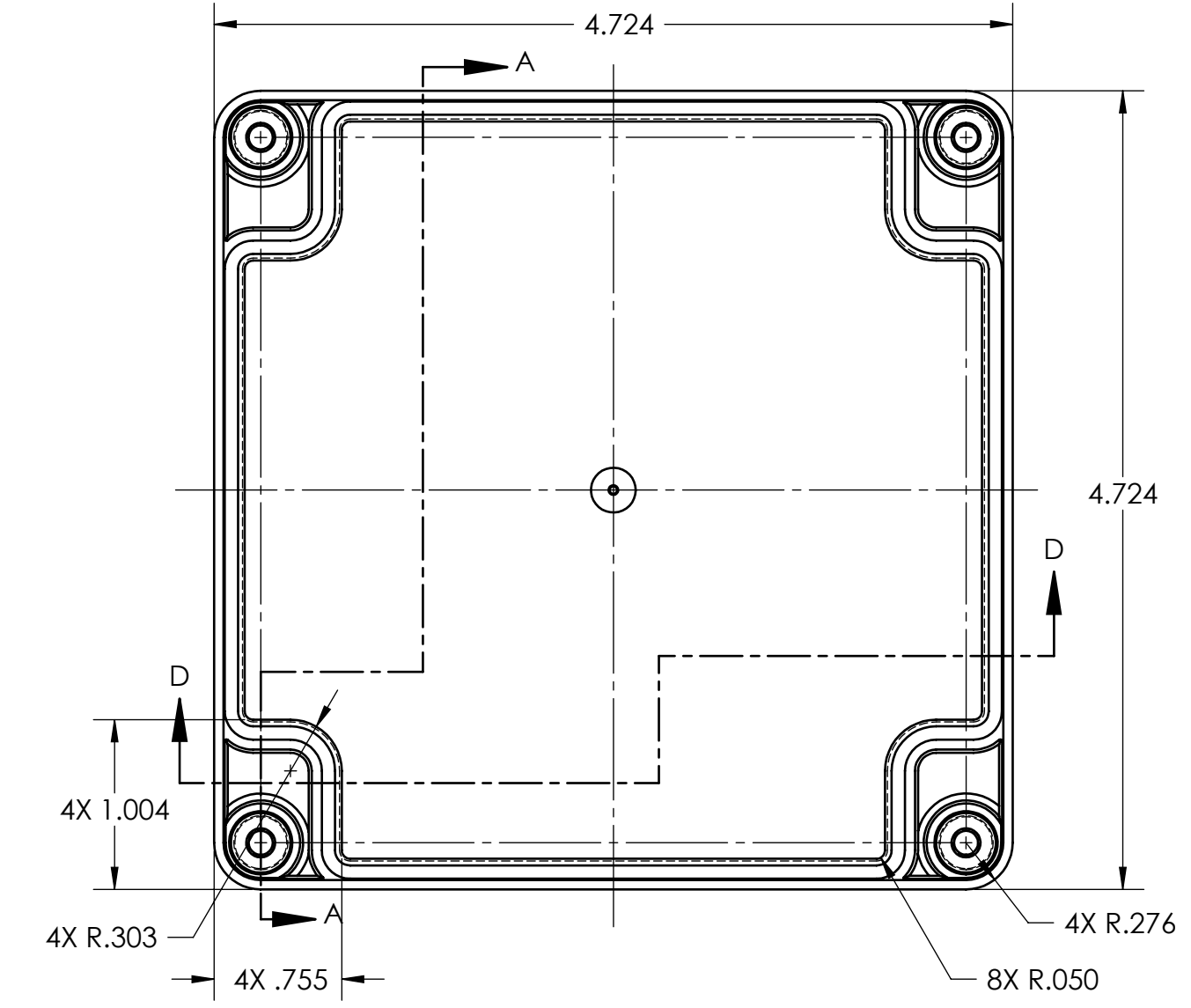
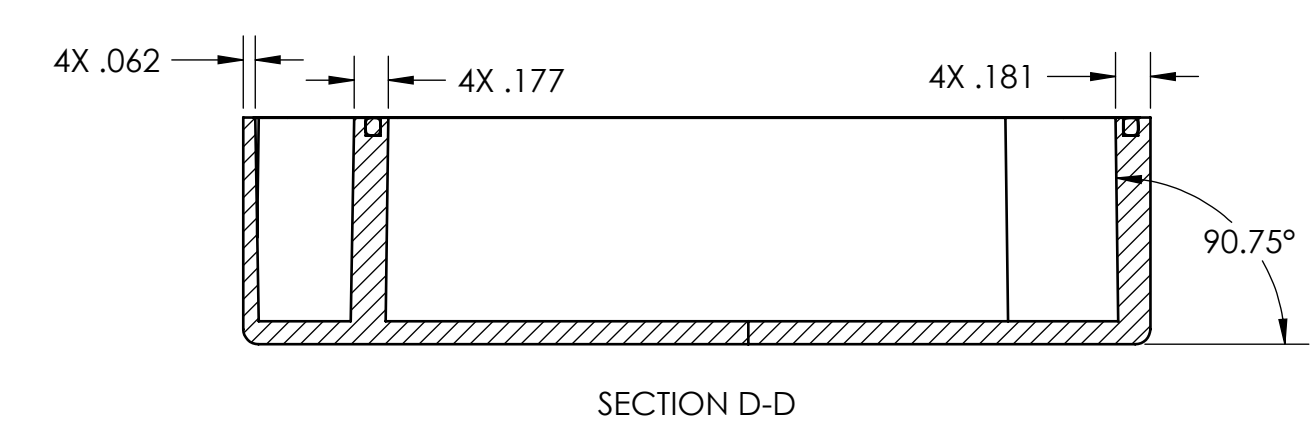
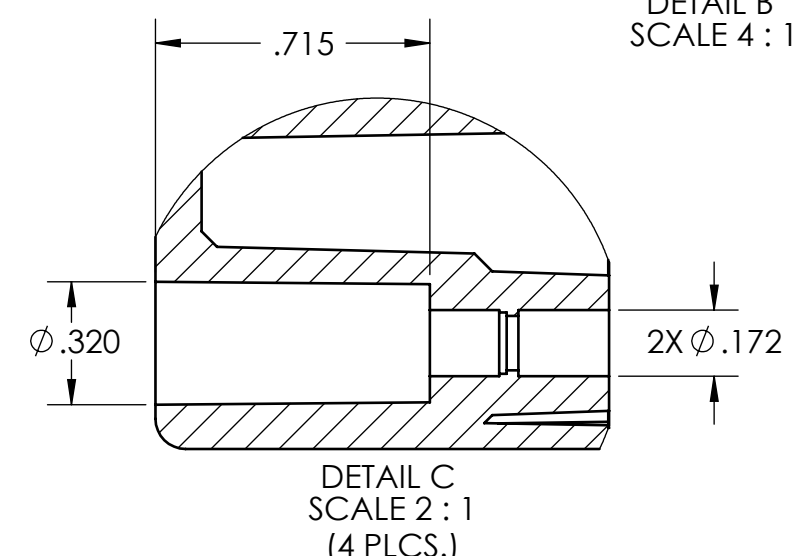
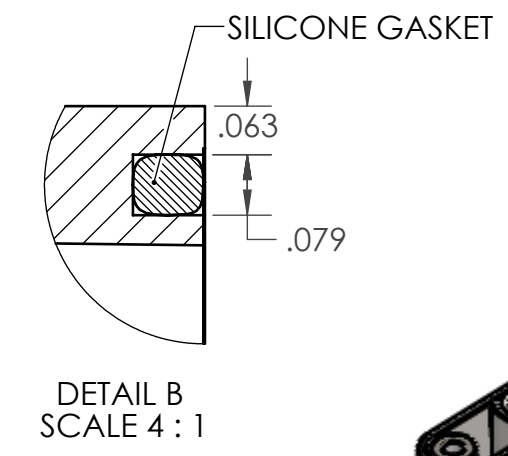
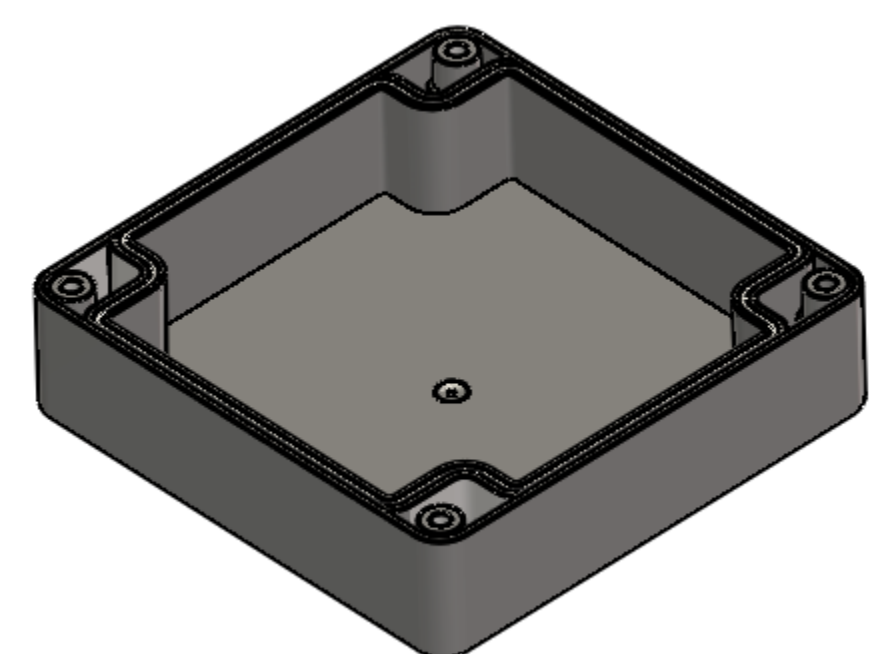
		TOLERANCE CHART																			
DIMENSION RANGE	0	.039	.118	.236	.394	.591	.866	1.181	1.575	2.087	2.756	3.543	4.724	6.299	7.874	9.843	12.402	15.748	19.685	24.803	31.496
TOOL DEPENDENT	±.007	±.007	±.008	±.008	±.009	±.010	±.011	±.012	±.013	±.015	±.017	±.020	±.024	±.028	±.035	.043	.051	.063	.079	.098	.118
NON-TOOL DEPENDENT	±.003	±.004	±.004	±.004	±.005	±.006	±.007	±.008	±.009	±.011	±.013	±.016	±.020	±.024	±.031	.039	.047	.059	.075	.094	.114

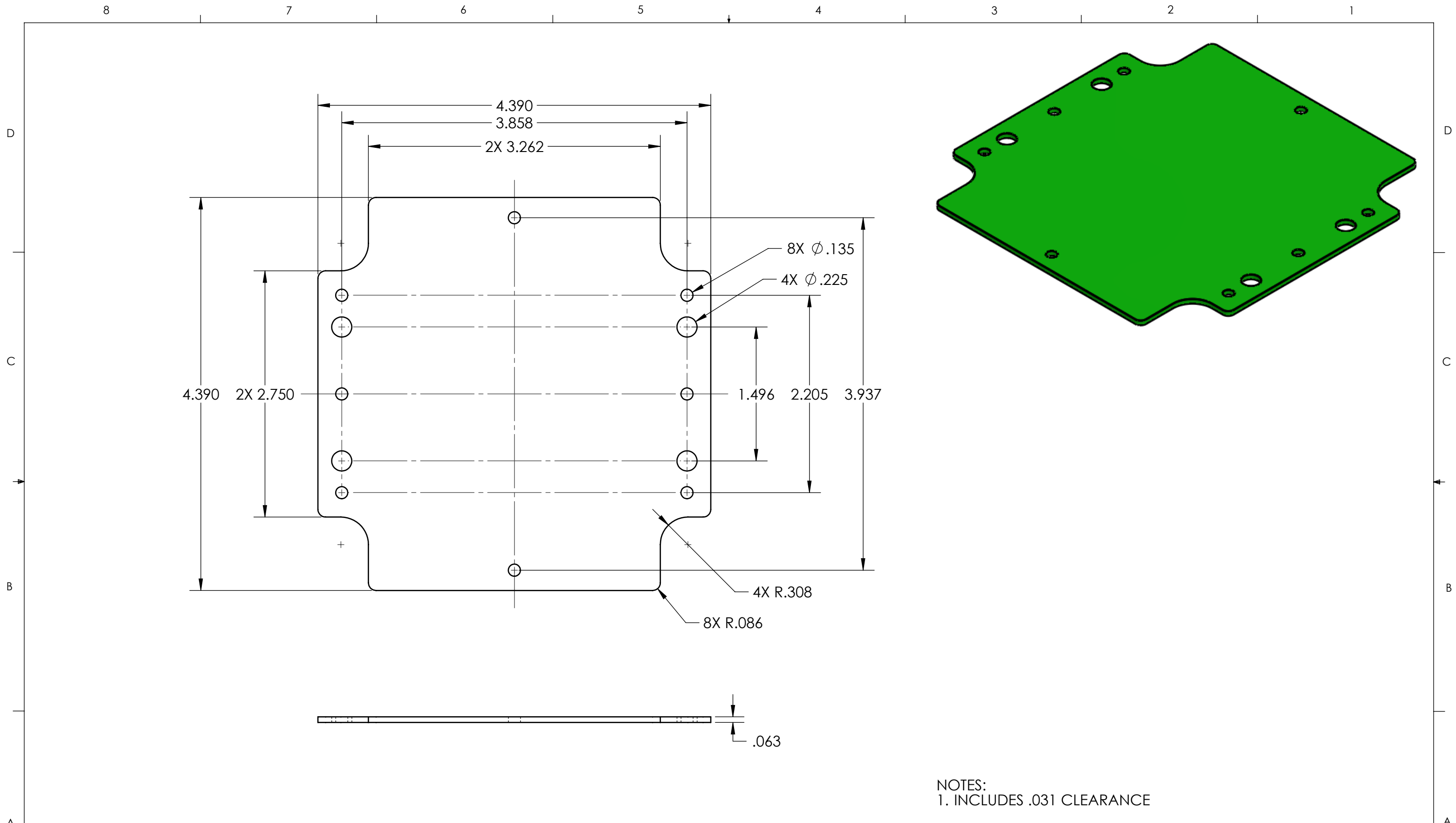


NOTES:
1. COLOR: DARK GRAY


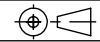
<small>UNLESS OTHERWISE SPECIFIED: DIMENSIONS ARE IN: INCHES[mm] TOLERANCES: ANGULAR: ±2° TWO PLACE DECIMAL: ±.030 THREE PLACE DECIMAL: ±.015 PRINTED GRAPHICS: ±.010</small>	PART NO. WA-36C*16		 <small>1303 CHESTER RD. PARKWAY AVON, OHIO 44011-1083 U.S.A. PH: 1-800-248-1233 440-934-0444 FAX: 440-934-0088</small>							
	MATERIAL ABS									
	<small>PROPRIETARY AND CONFIDENTIAL THE INFORMATION CONTAINED IN THIS DRAWING IS THE SOLE PROPERTY OF POLYCASE. ANY REPRODUCTION IN PART OR AS A WHOLE WITHOUT THE WRITTEN PERMISSION OF POLYCASE IS PROHIBITED.</small>	<small>FLAME RATING UL94-HB (UL FILE E56070)</small>		<small>SIZE C</small>	<small>WA COVER, W/GASKET</small>					
<small>REV.</small>	<small>DESCRIPTION</small>	<small>ZONE</small>	<small>BY</small>	<small>APPR'D</small>	<small>DATE</small>	<small>NAME</small> D.M.F.	<small>DATE</small> 3/27/2013	<small>SCALE: 1:1</small>	<small>REV</small> -	<small>SHEET 1 OF 1</small>

REV.	DESCRIPTION	ZONE	BY	APPR'D	DATE
REVISIONS					





NOTES:
1. INCLUDES .031 CLEARANCE

UNLESS OTHERWISE SPECIFIED: DIMENSIONS ARE IN: INCHES[mm] TOLERANCES: ANGULAR: $\pm 2^\circ$ TWO PLACE DECIMAL: $\pm .010$ THREE PLACE DECIMAL: $\pm .005$ PRINTED GRAPHICS: $\pm .010$	PART NO. WA-36B*16-PCB		 <small>1305 CHESTER IND. PARKWAY AVON, OHIO 44011-1083 U.S.A. PH#: 1-800-248-1233, 440-934-0444 FAX#: 440-934-0088</small>																						
	MATERIAL																								
	PROPRIETARY AND CONFIDENTIAL THE INFORMATION CONTAINED IN THIS DRAWING IS THE SOLE PROPERTY OF POLYCASE. ANY REPRODUCTION IN PART OR AS A WHOLE WITHOUT THE WRITTEN PERMISSION OF POLYCASE IS PROHIBITED. CAD FILE: WA-36B+16-PCB	FLAME RATING	SIZE B	PCB TEMPLATE	REV -																				
<table border="1"> <thead> <tr> <th>REV.</th> <th>ZONE</th> <th>DESCRIPTION</th> <th>BY</th> <th>APPR'D</th> <th>DATE</th> </tr> </thead> <tbody> <tr> <td colspan="6" style="text-align: center;">REVISIONS</td> </tr> </tbody> </table>	REV.	ZONE	DESCRIPTION	BY	APPR'D	DATE	REVISIONS						<table border="1"> <thead> <tr> <th>DRAWN</th> <th>NAME</th> <th>DATE</th> </tr> </thead> <tbody> <tr> <td></td> <td>D.M.F.</td> <td>3/27/2013</td> </tr> <tr> <th>CHECKED</th> <th>C.C.B.</th> <th>4/9/2013</th> </tr> </tbody> </table>	DRAWN	NAME	DATE		D.M.F.	3/27/2013	CHECKED	C.C.B.	4/9/2013	SCALE: 1:1		SHEET 1 OF 1
REV.	ZONE	DESCRIPTION	BY	APPR'D	DATE																				
REVISIONS																									
DRAWN	NAME	DATE																							
	D.M.F.	3/27/2013																							
CHECKED	C.C.B.	4/9/2013																							