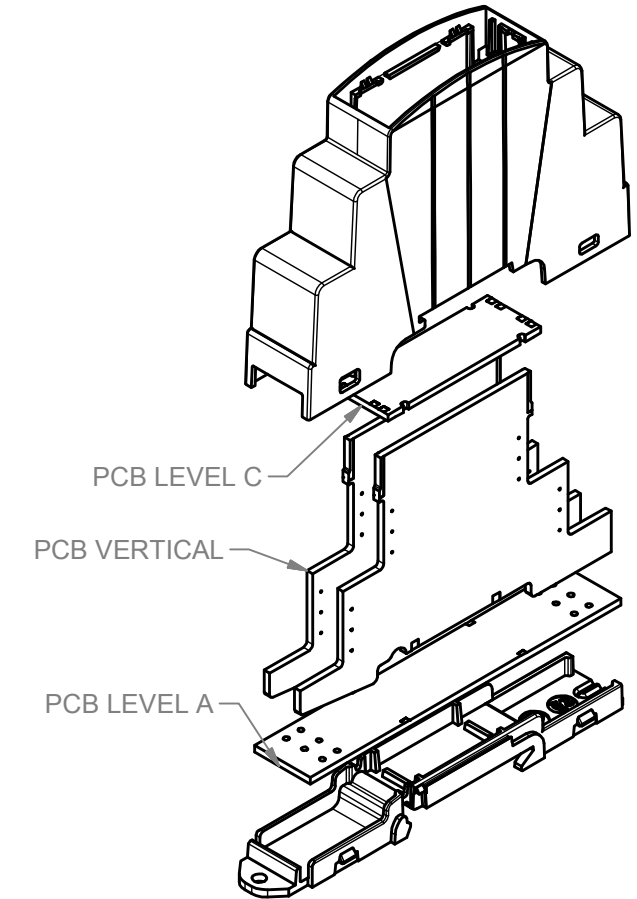
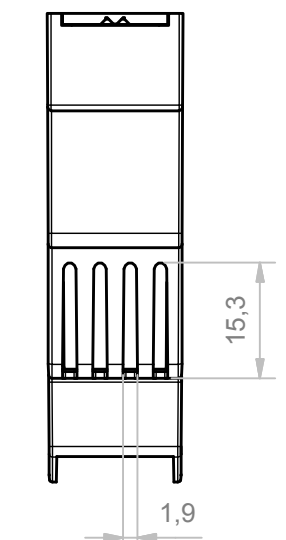
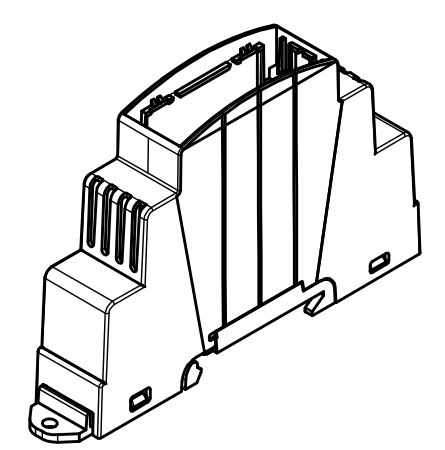
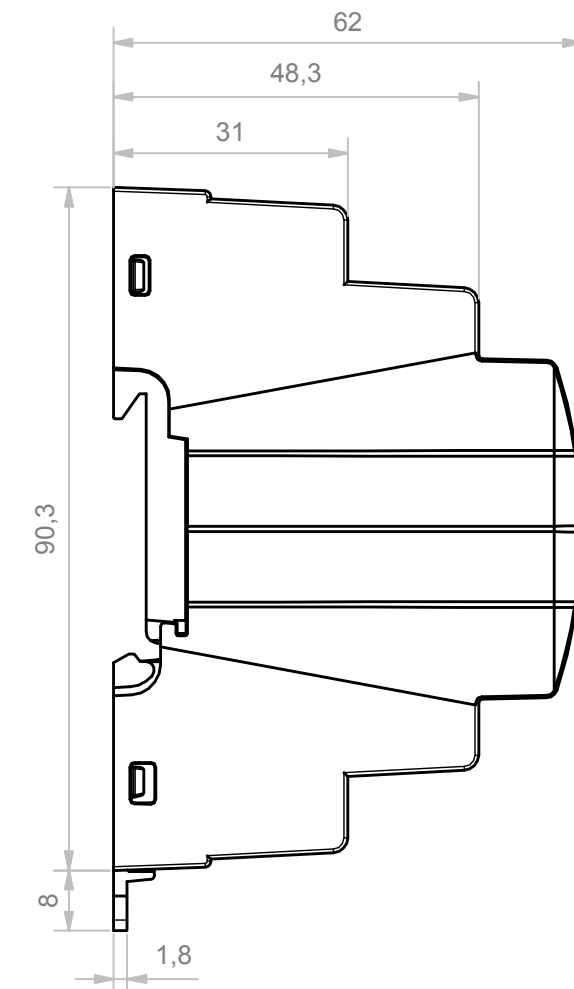
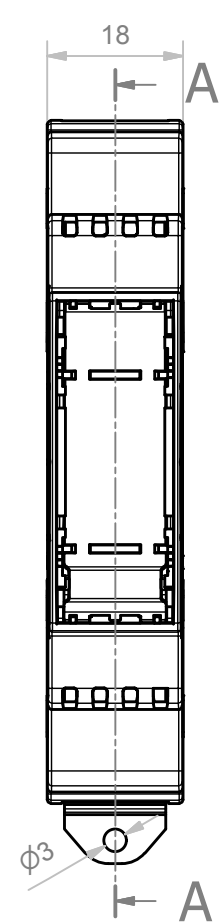
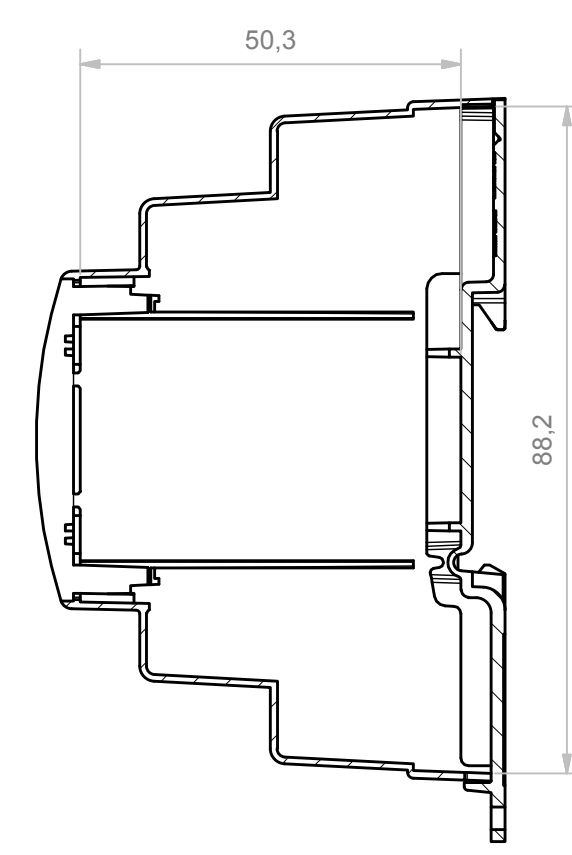


EXAMPLE OF POSITION PCB



A-A (1:1)



SEE LINK FOR TECHNICAL PCB
<http://www.italtronic.info/download/modulboxXTS/PCB/>

Da 0,5 a 3	Oltre 3 fino a 6	Oltre 6 fino a 30	Oltre 30 fino a 120	Oltre 120
± 0,1	± 0,1	± 0,2	± 0,3	± 0,5

RESERVED PROPERTY The present drawing cannot be reproduced or communicated to 3d parties, even partially, without the authorization of ITALTRONIC Srl. Italtronic reserves to protect its own rights according to the law.	Dimension in mm	SHEET NR.	DRAWING BY	GENERAL TOLERANCE UNI EN 22768/1 Media (m)
		1 / 1		
Drawn: Rigato N.	Checked: Dalla Montà D.	Date: 03/07/2015	Replace nr.	Revision description

 UN PARTNER PER IL FUTURO PLASTIC Group Italtronic	Denomination:
	Contenitore completo Modulbox 1M53V-A XTS Complete enclosure Modulbox 1M53V-A XTS
 ITALTRONIC S.R.L. VIA AUSTRIA 25/D 35127 PADOVA - ITALY www.italtronic.com	Drawing nr. M-06126-00

5	4	3	2	1
---	---	---	---	---