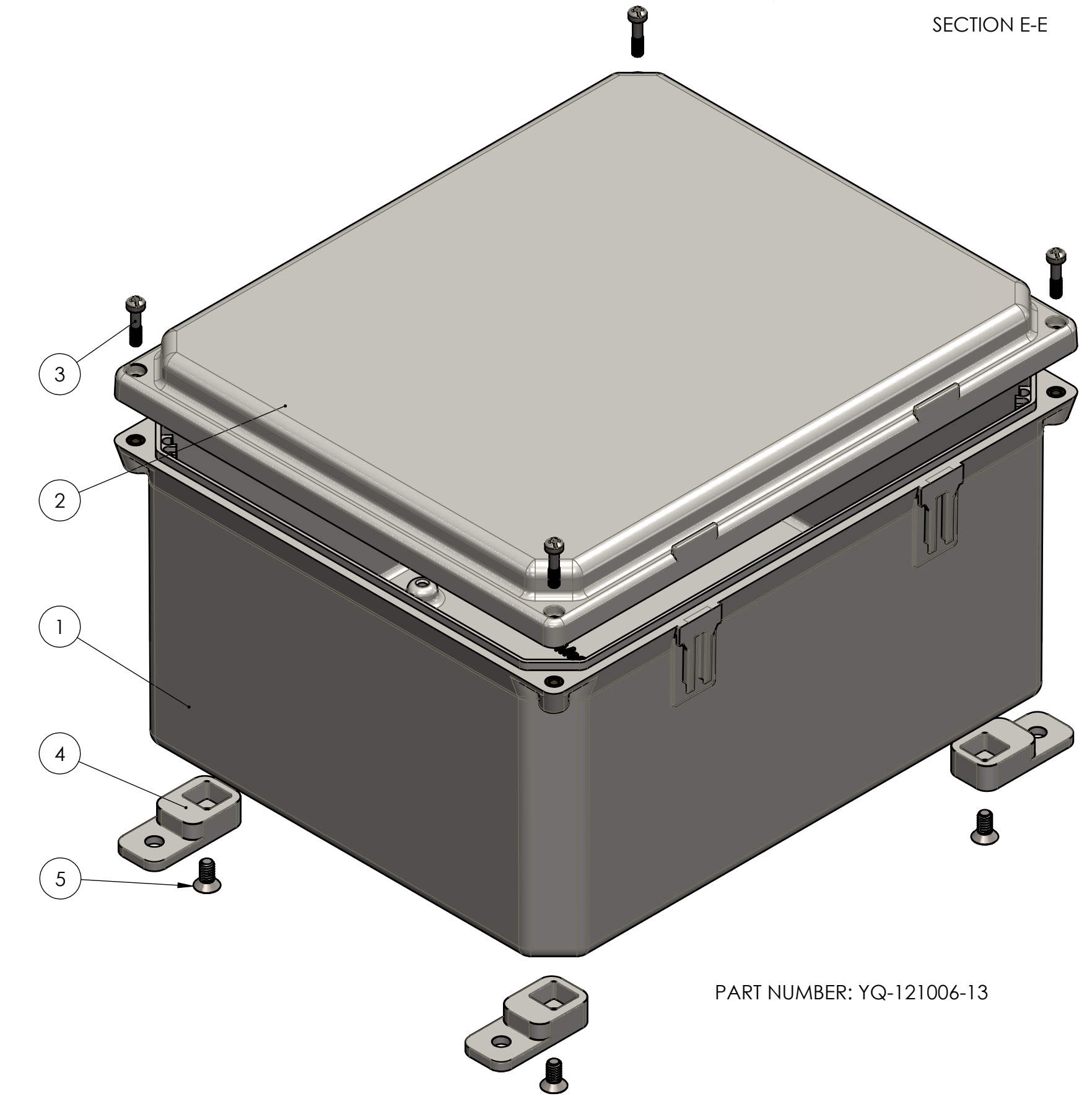
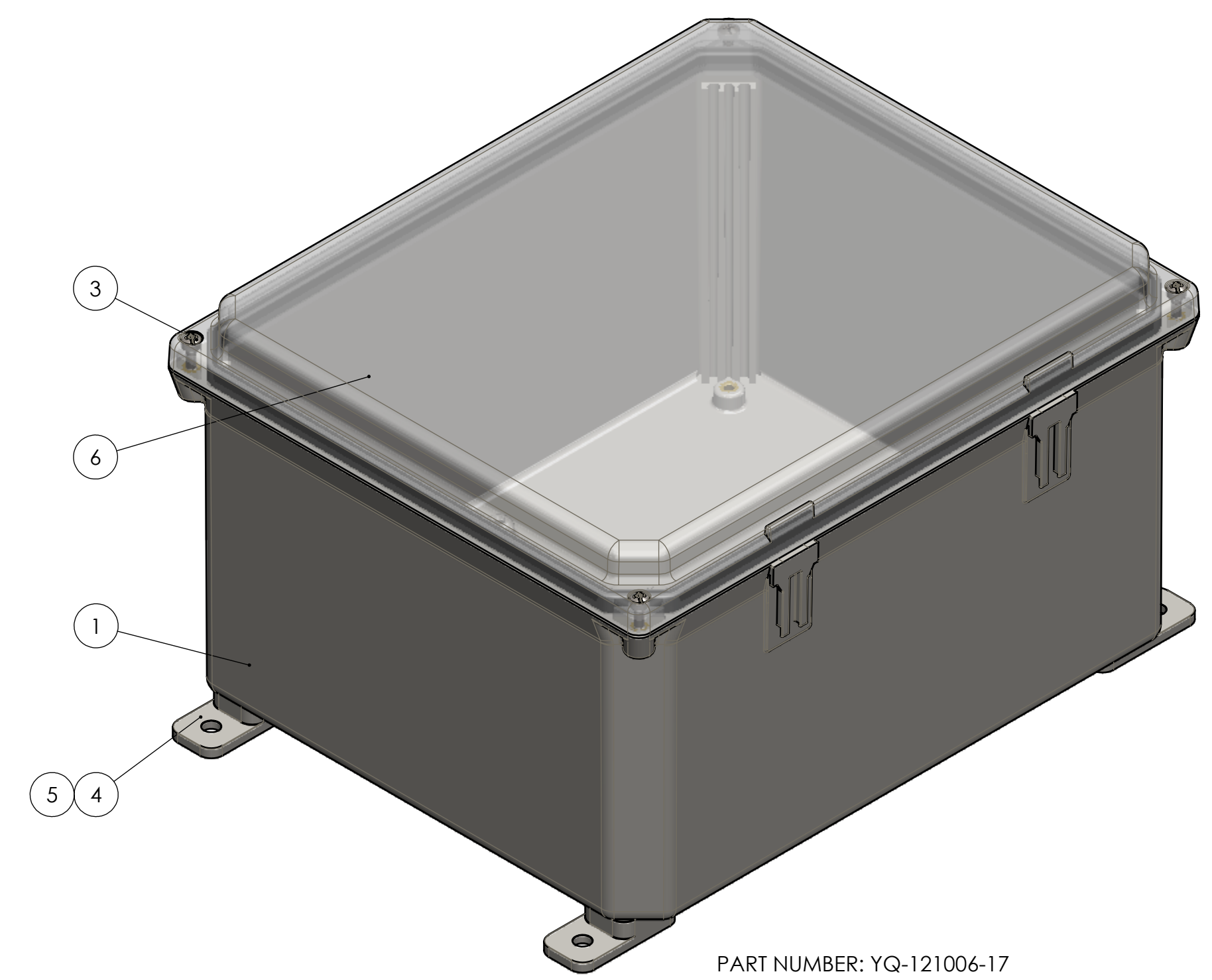
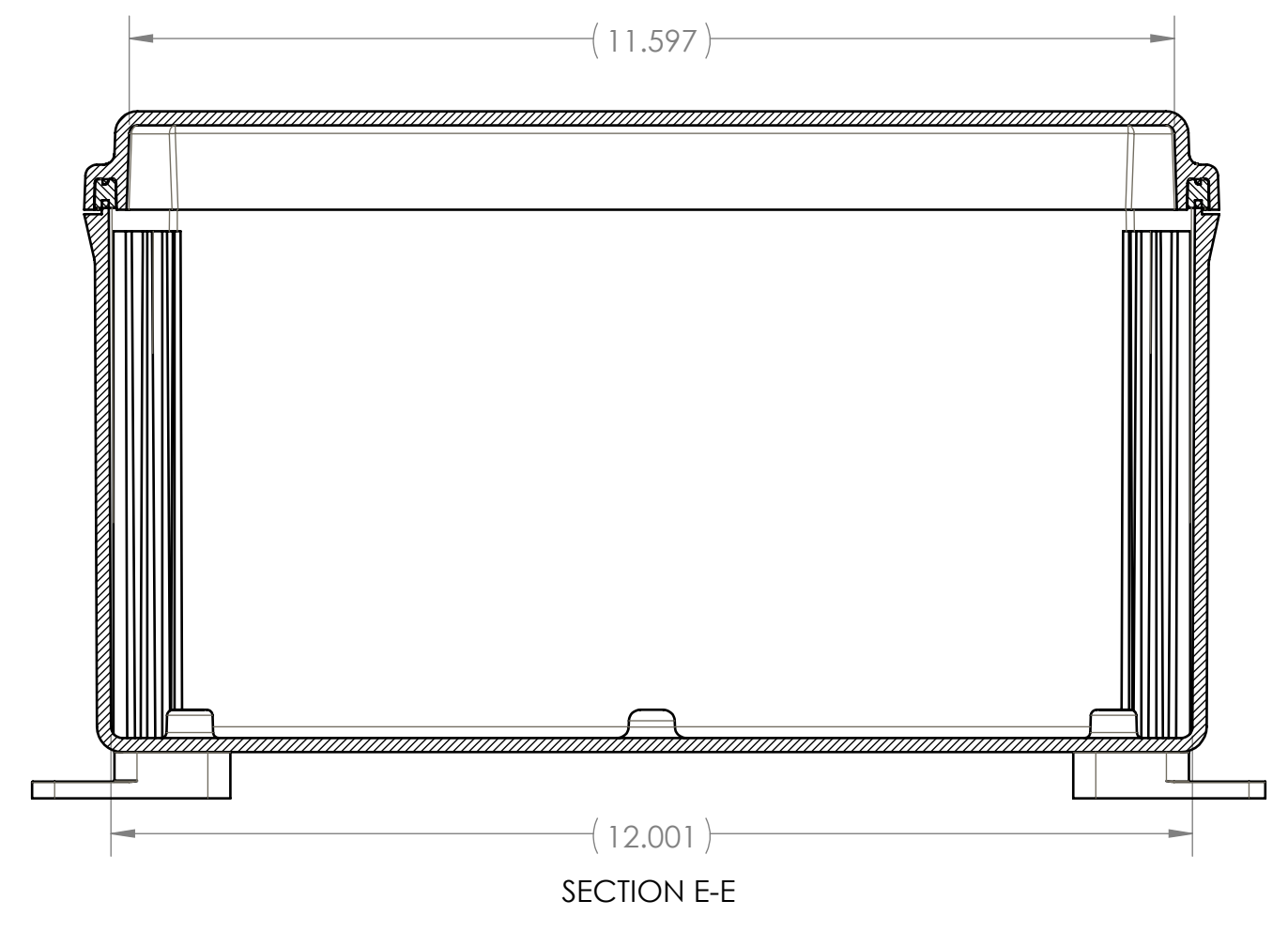
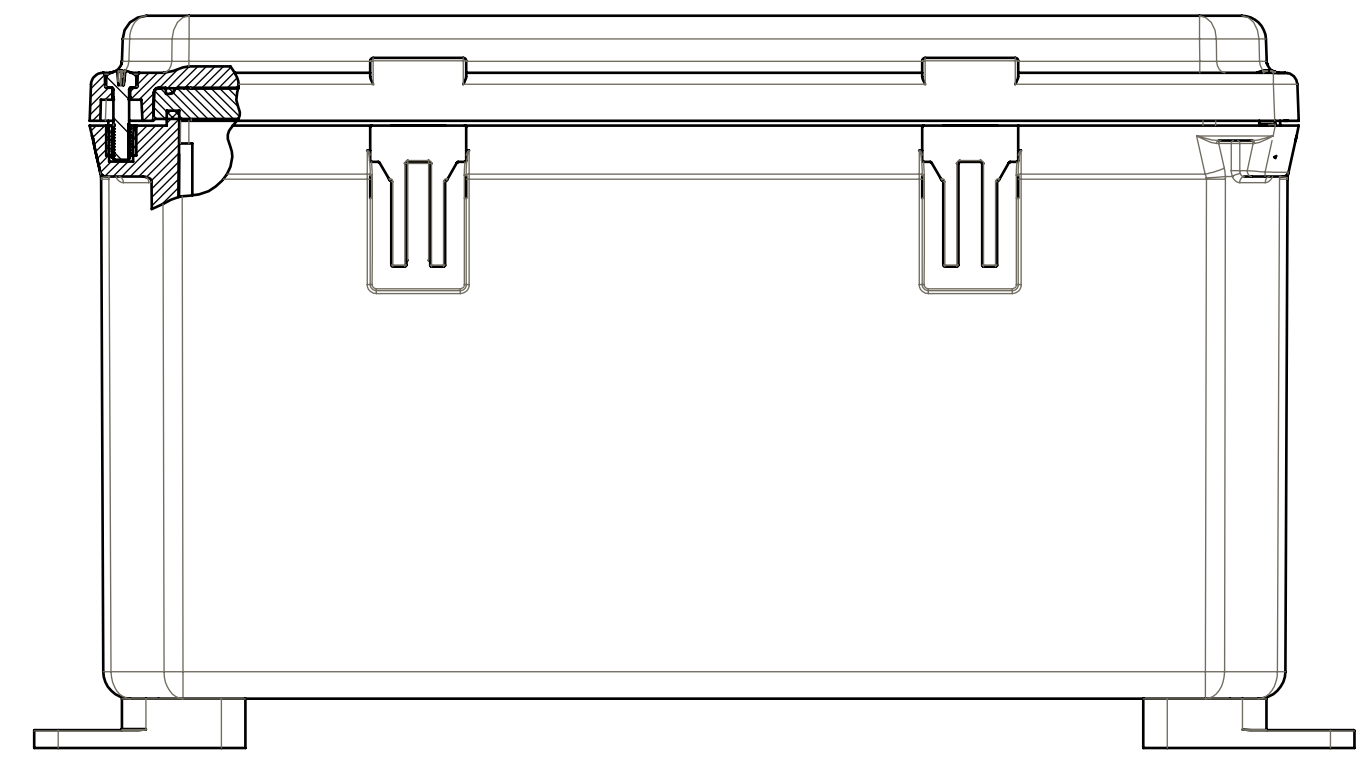
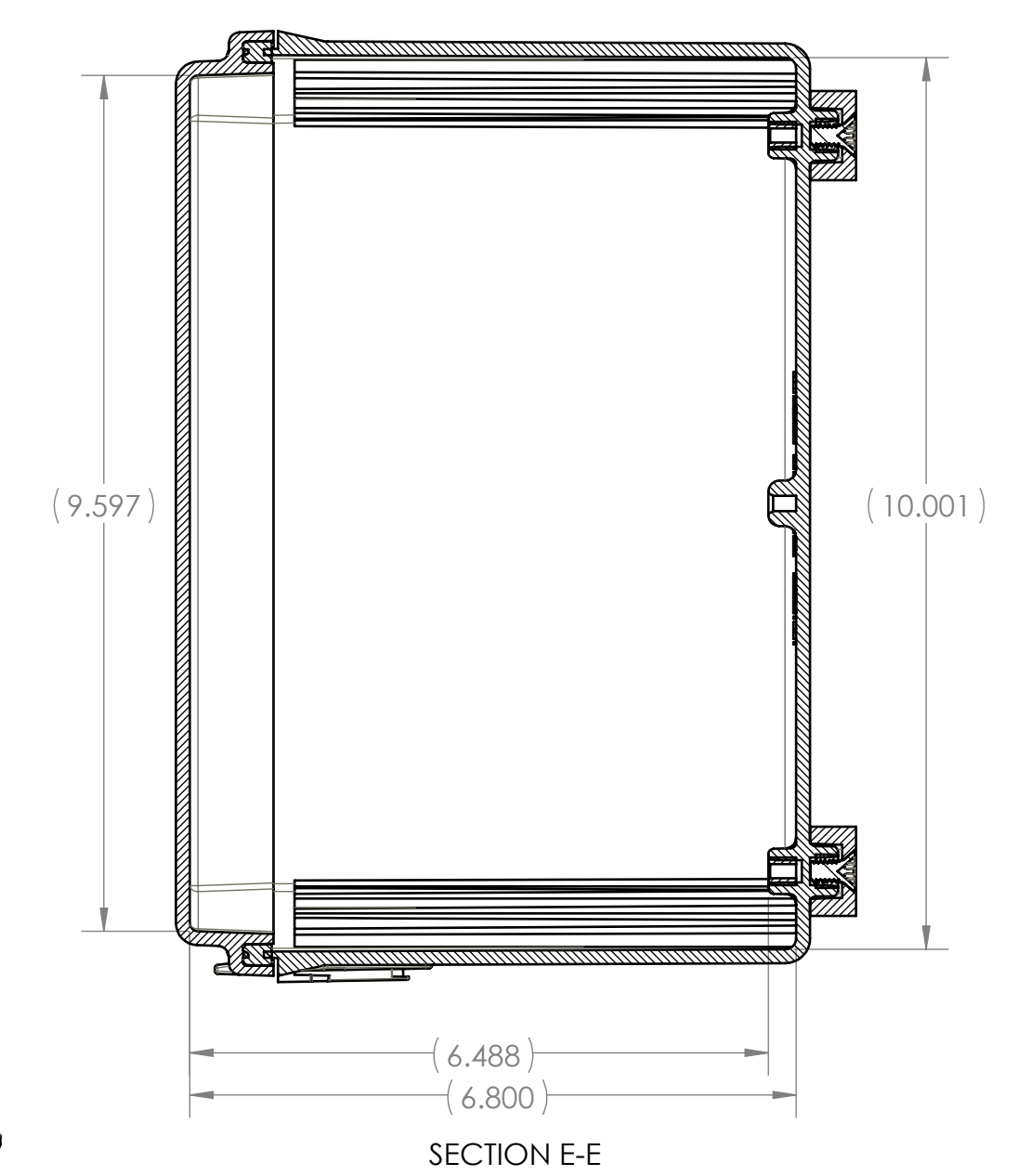
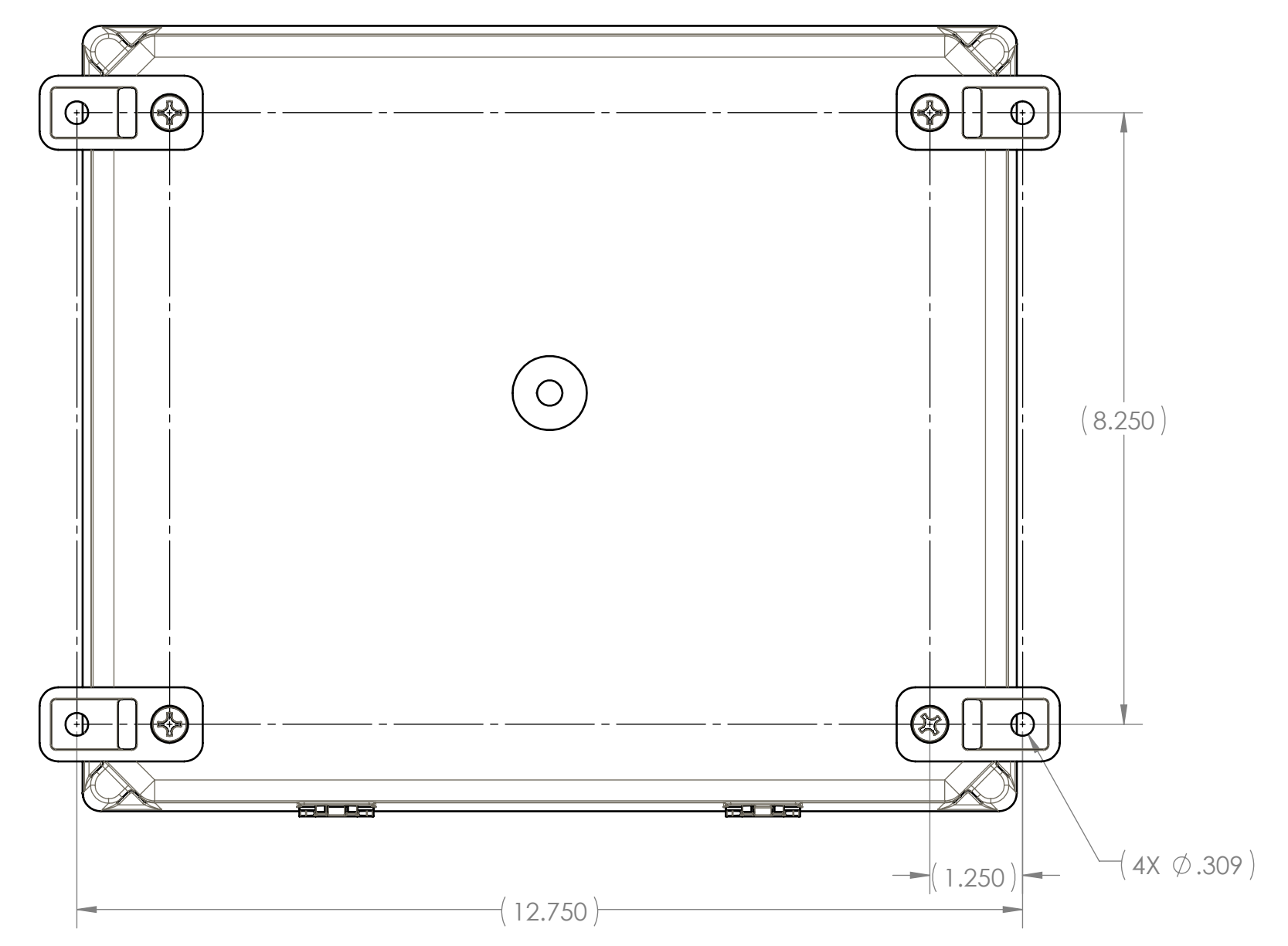
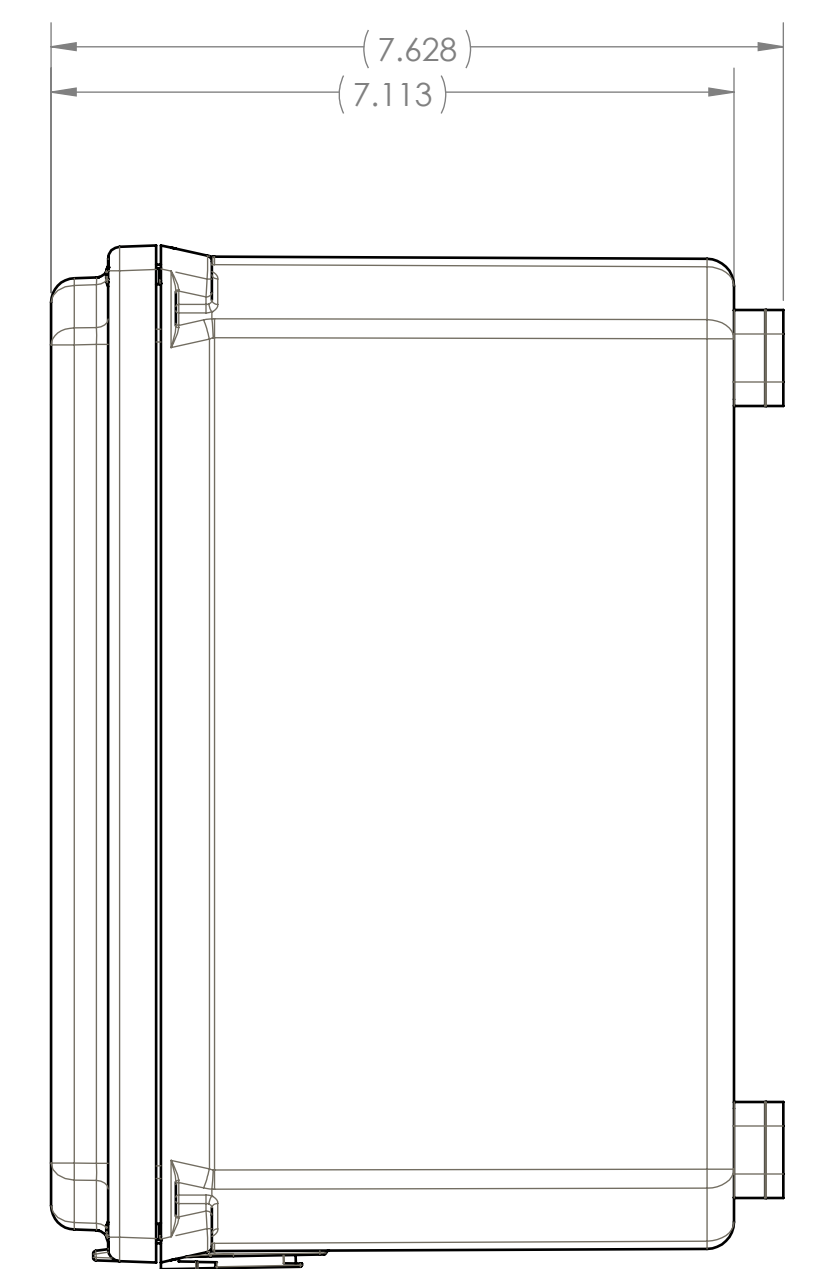
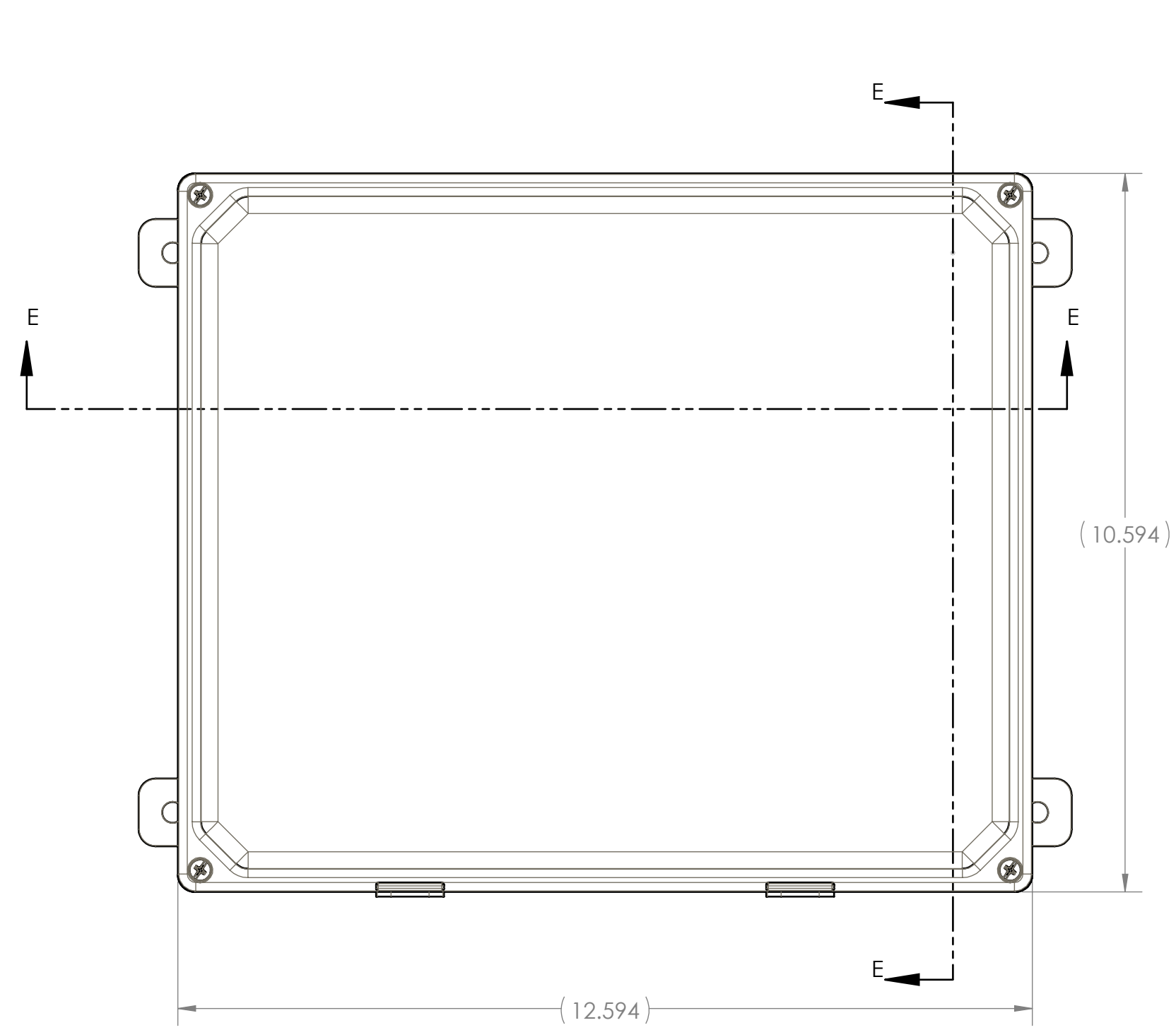


BOM Table								
ITEM NO.	PART NUMBER	Rev.	Description	Material	FlameRating	Color	YQ-121006-13/QTY.	YQ-121006-17/QTY.
1	YQ-12106B-14	-	BASE	PC	UL94V-0	LIGHT GRAY	1	1
2	YQ-12101C-14	-	COVER	PC	UL94V-0	LIGHT GRAY	1	-
3	SCREWS-010	-	#10-32 X .75, HIGH PROFILE FILLISTER HEAD	SS			4	4
4	YH-91F	-	MOUNTING FOOT	PC	UL94V-0	LIGHT GRAY	4	4
5	SCREWS-009	-	1/4-20 X .5, STAINLESS, FLAT HEAD, PHILLIPS DRIVE	SS			4	4
6	YQ-12101C-18	-	COVER	PC	UL94V-0	CLEAR	-	1



UNLESS OTHERWISE SPECIFIED:  
 DIMENSIONS ARE IN INCHES/ST  
 TOLERANCES: ANGULAR: 22°  
 TWO PLACE DECIMAL: 0.010  
 THREE PLACE DECIMAL: 0.005  
 PRINTED GRAPHICS: 1:500  
 PROPRIETARY AND CONFIDENTIAL  
 THE INFORMATION CONTAINED IN THIS  
 DRAWING IS THE SOLE PROPERTY OF  
 POLYCASE. ANY REPRODUCTION IN PART  
 OR AS A WHOLE WITHOUT THE WRITTEN  
 PERMISSION OF POLYCASE IS PROHIBITED.  
 CAD FILE: YQ-121006

PART NO.  
 YQ-121006  
 MATERIAL

FLAME RATING  
 UL94V-0

SIZE  
 D

SCALE: 1:2

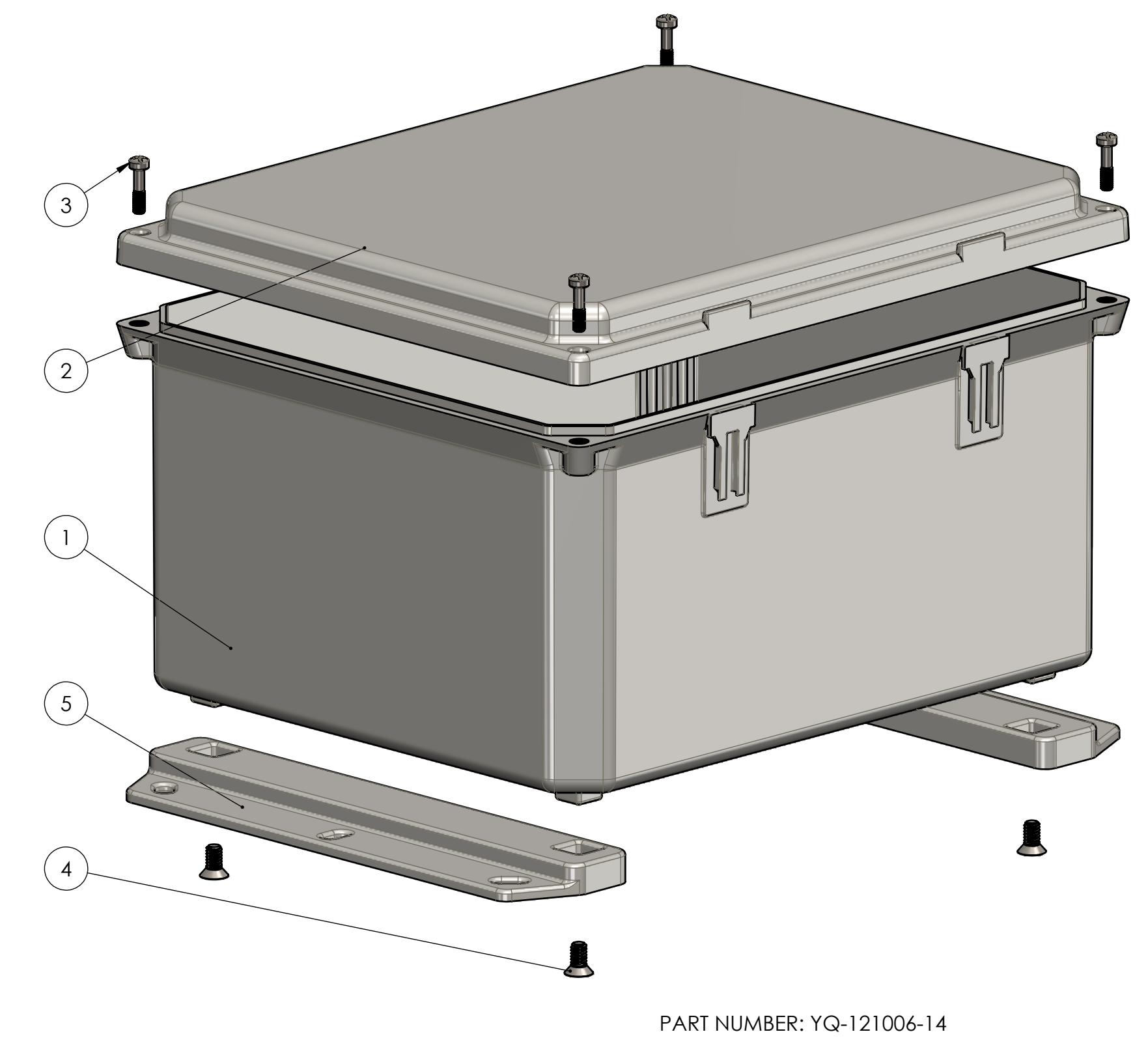
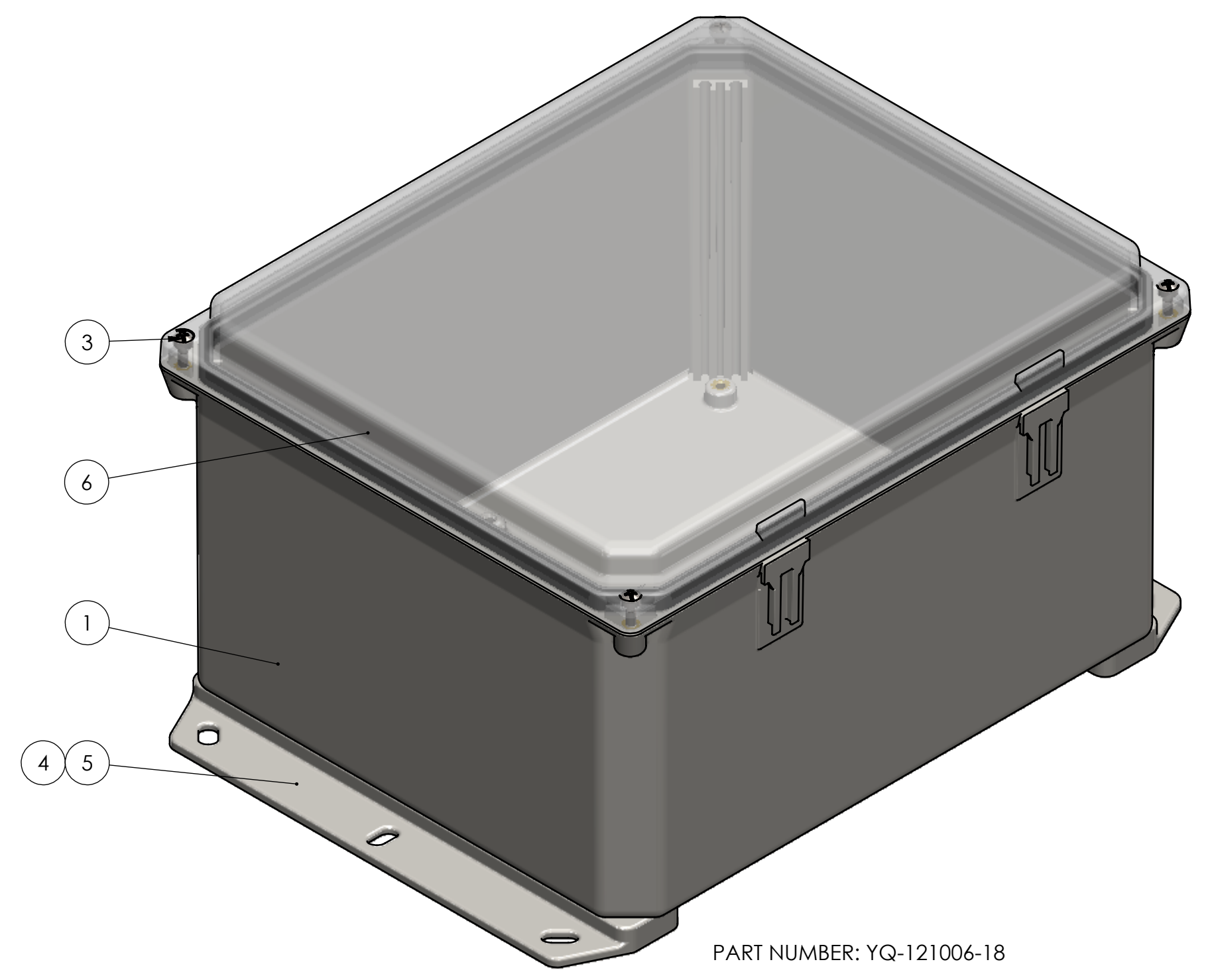
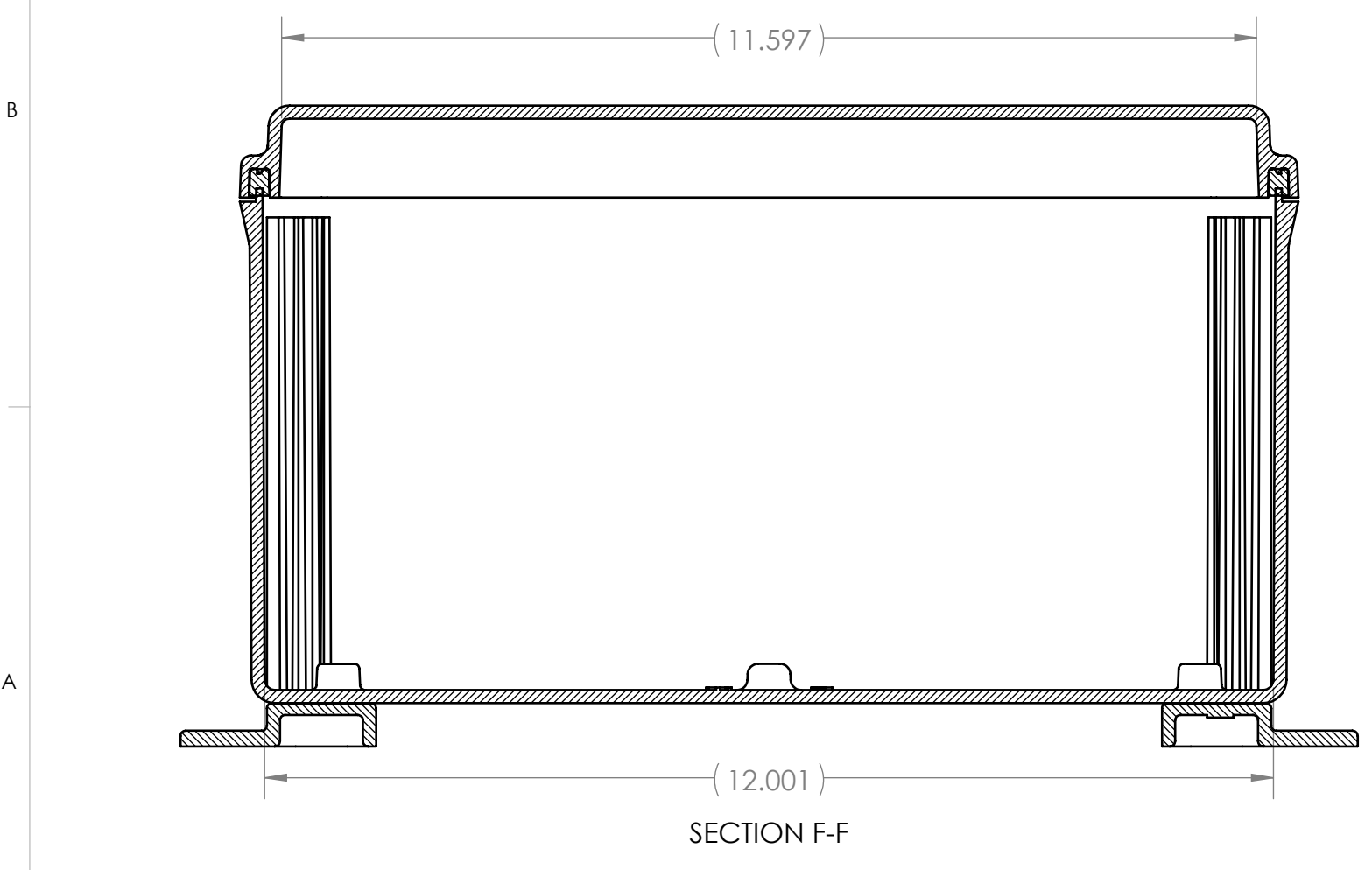
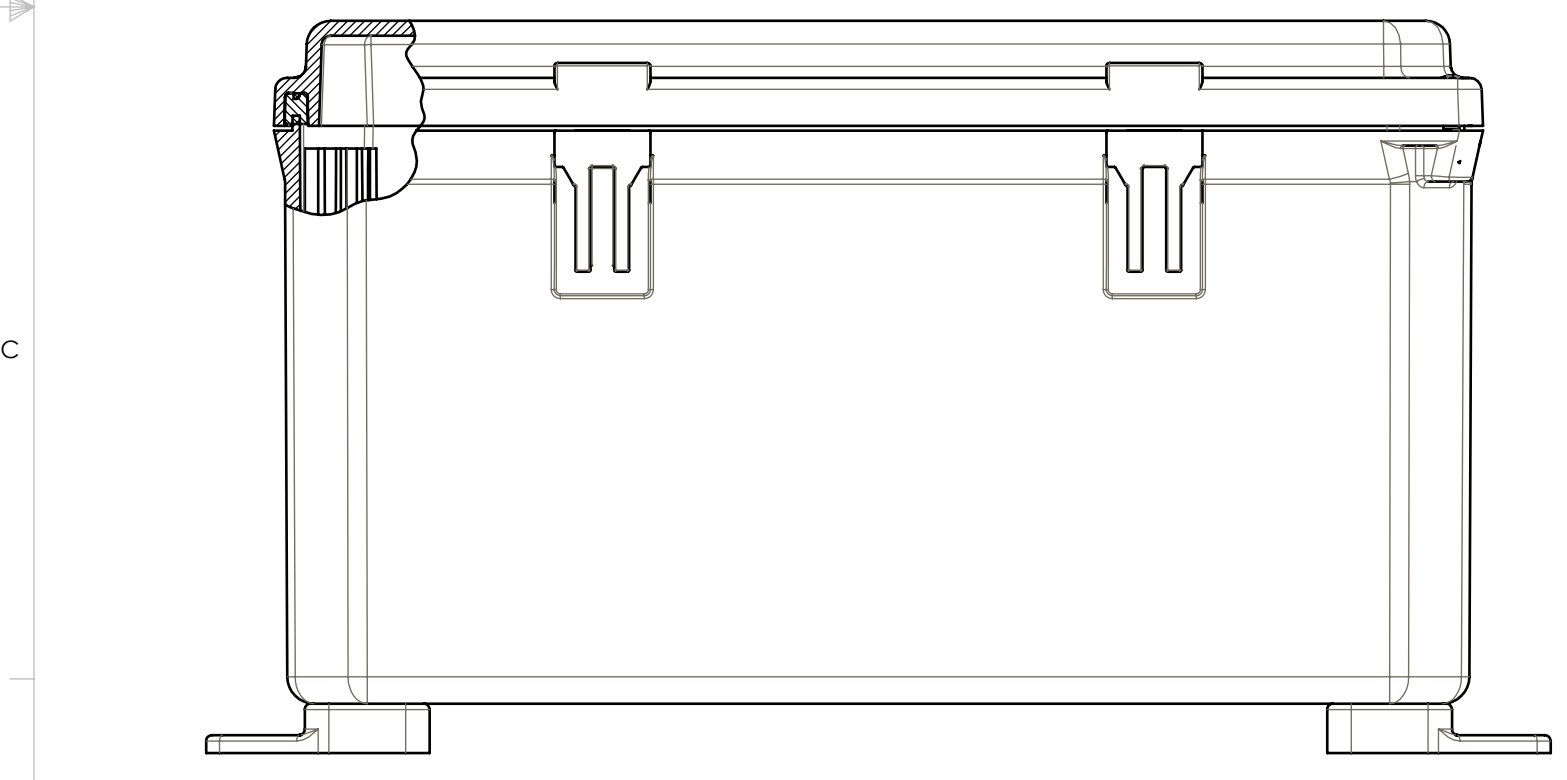
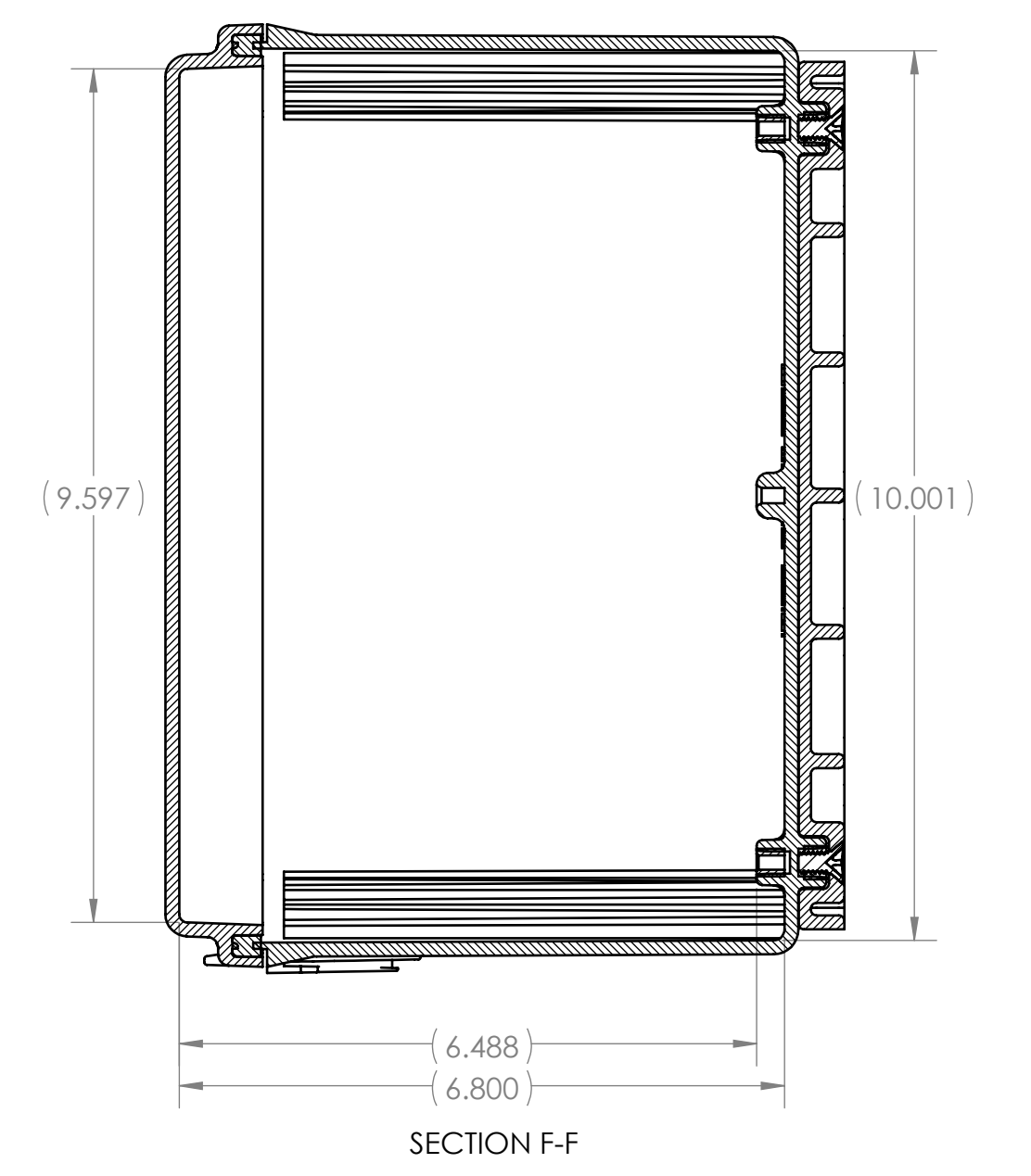
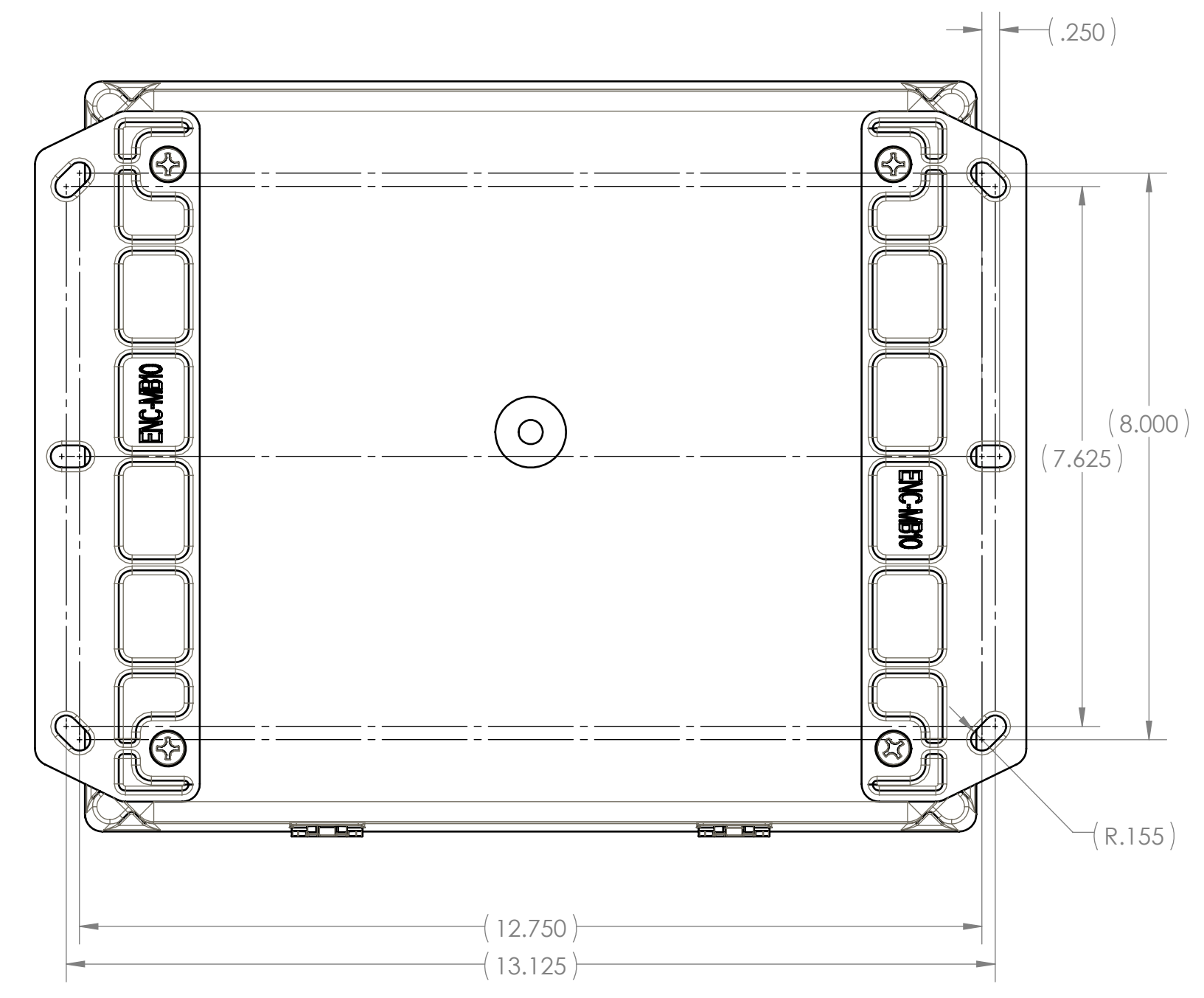
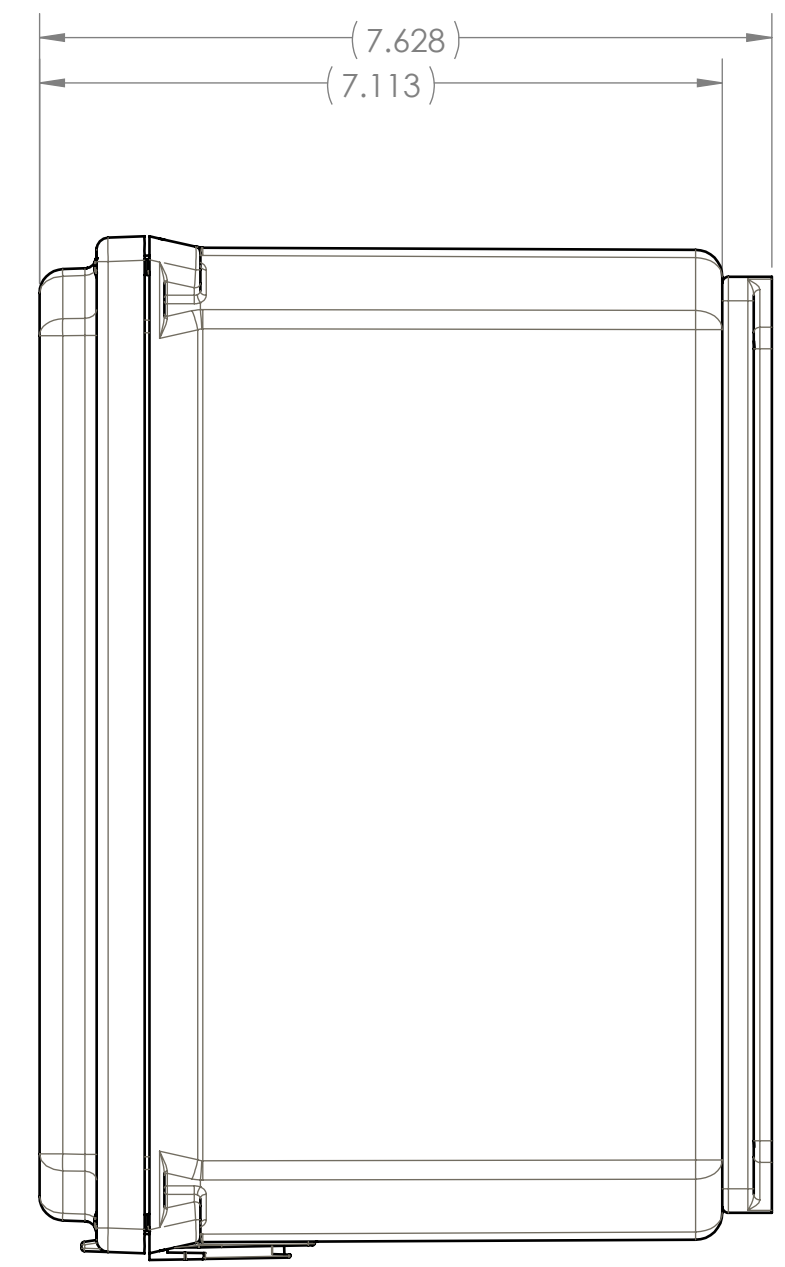
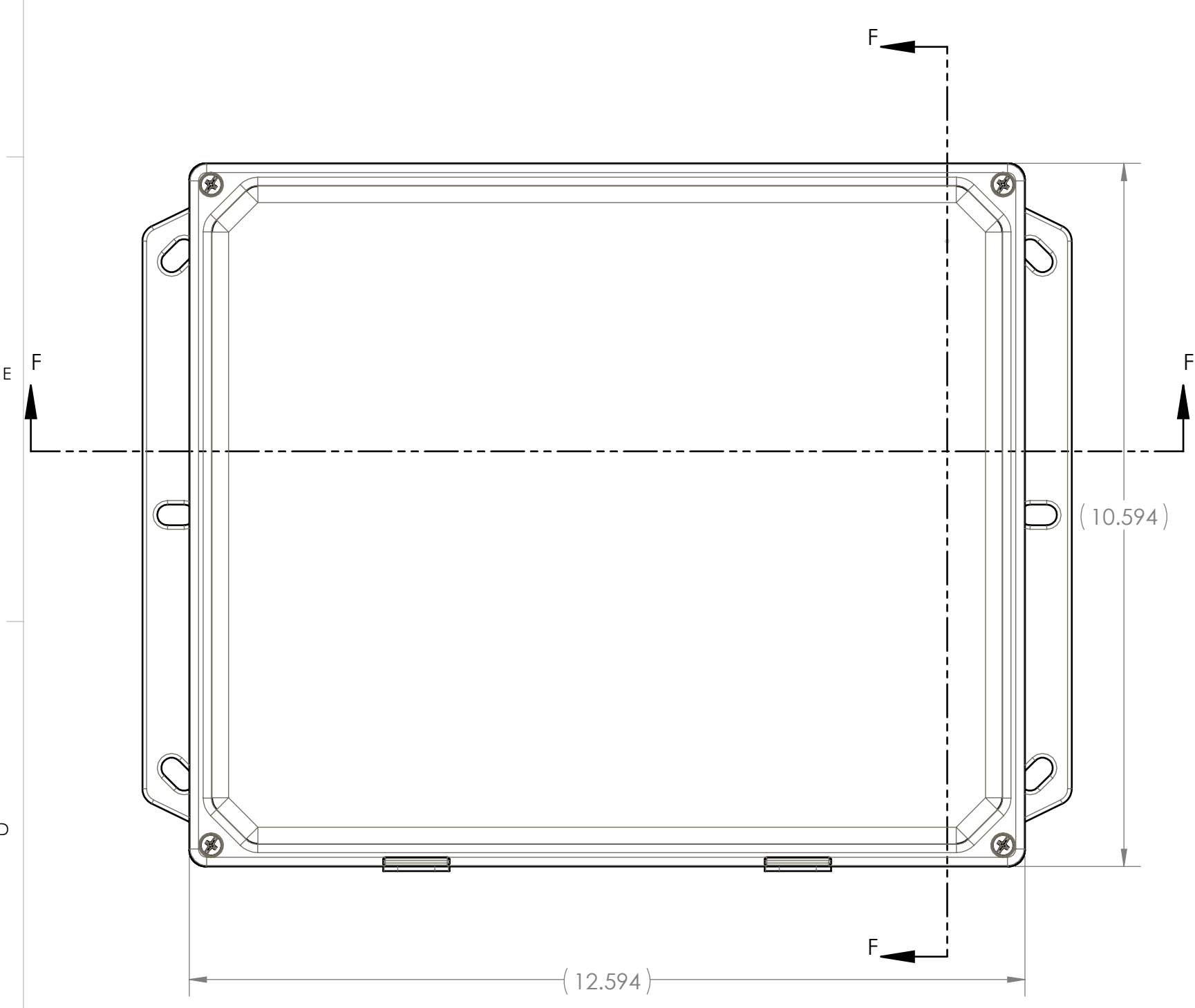
SHEET 1 OF 2

REV. DESCRIPTION ZONE BY APPRD DATE

REVISIONS

NAME DATE  
 DRAWN D.M.F. 2/5/2014  
 CHECKED B.M.B. 2/18/2014

BOM Table								
ITEM NO.	PART NUMBER	Rev.	Description	Material	FlameRating	Color	YQ-121006-14/QTY.	YQ-121006-18/QTY.
1	YQ-12106B-14	-	BASE	PC	UL94V-0	LIGHT GRAY	1	1
2	YQ-12101C-14	-	COVER	PC	UL94V-0	LIGHT GRAY	1	-
3	SCREWS-010	-	#10-32 X .75, HIGH PROFILE FILLISTER HEAD	SS			4	4
4	SCREWS-009	-	1/4-20 X .5, STAINLESS, FLAT HEAD, PHILLIPS DRIVE	SS			4	4
5	YH-10F	-	MOUNTING FLANGE	PC	UL94V-0	LIGHT GRAY	2	2
6	YQ-12101C-18	-	COVER	PC	UL94V-0	CLEAR	-	1



UNLESS OTHERWISE SPECIFIED:  
 DIMENSIONS ARE IN INCHES/TENTHS  
 TOLERANCES: ANGULAR: ±2°  
 TWO PLACE DECIMAL: ±.010  
 THREE PLACE DECIMAL: ±.005  
 PRINTED GRAPHICS: 1:500  
 PROPRIETARY AND CONFIDENTIAL  
 THE INFORMATION CONTAINED IN THIS DRAWING IS THE SOLE PROPERTY OF POLYCASE. ANY REPRODUCTION IN PART OR AS A WHOLE WITHOUT THE WRITTEN PERMISSION OF POLYCASE IS PROHIBITED.  
 CAD FILE: YQ-121006

PART NO. YQ-121006  
 MATERIAL

FLAME RATING: UL94V-0  
 SIZE: D  
 SCALE: 1:2  
 SHEET 2 OF 2

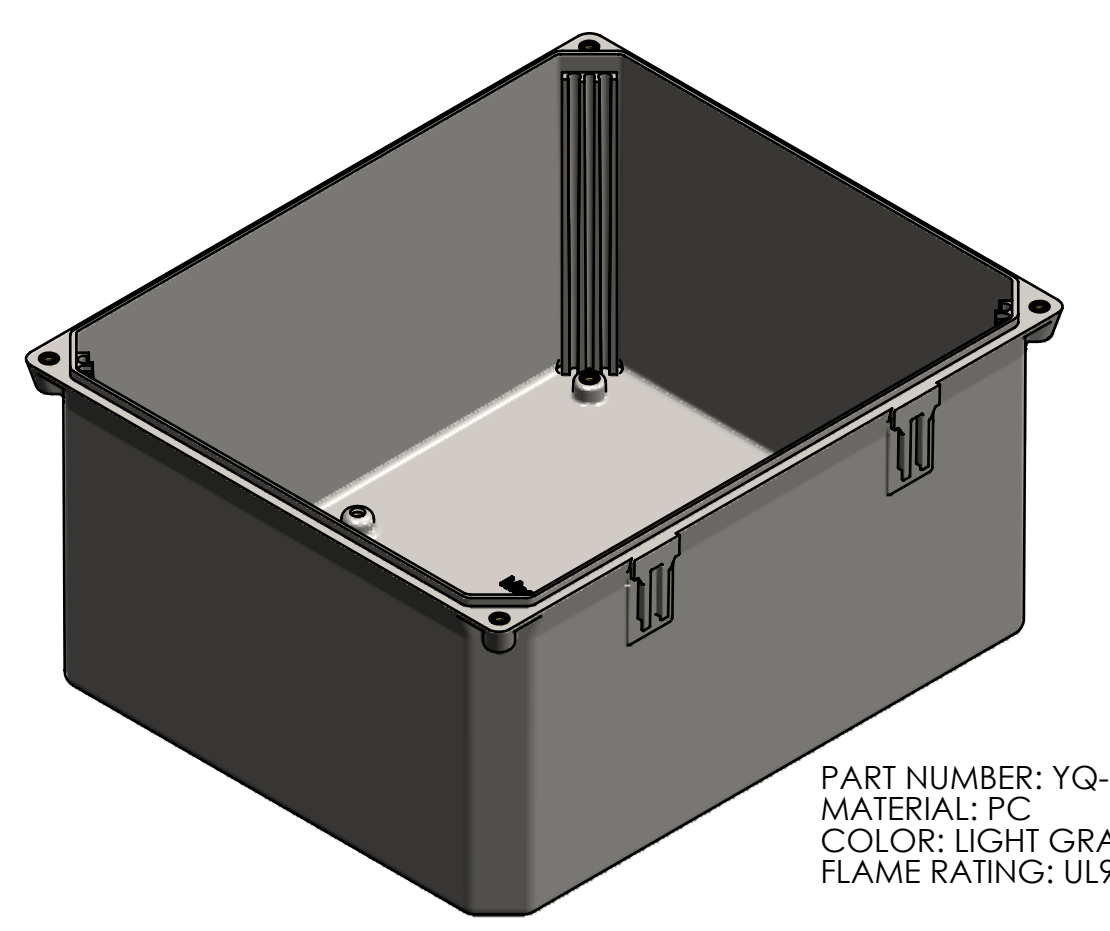
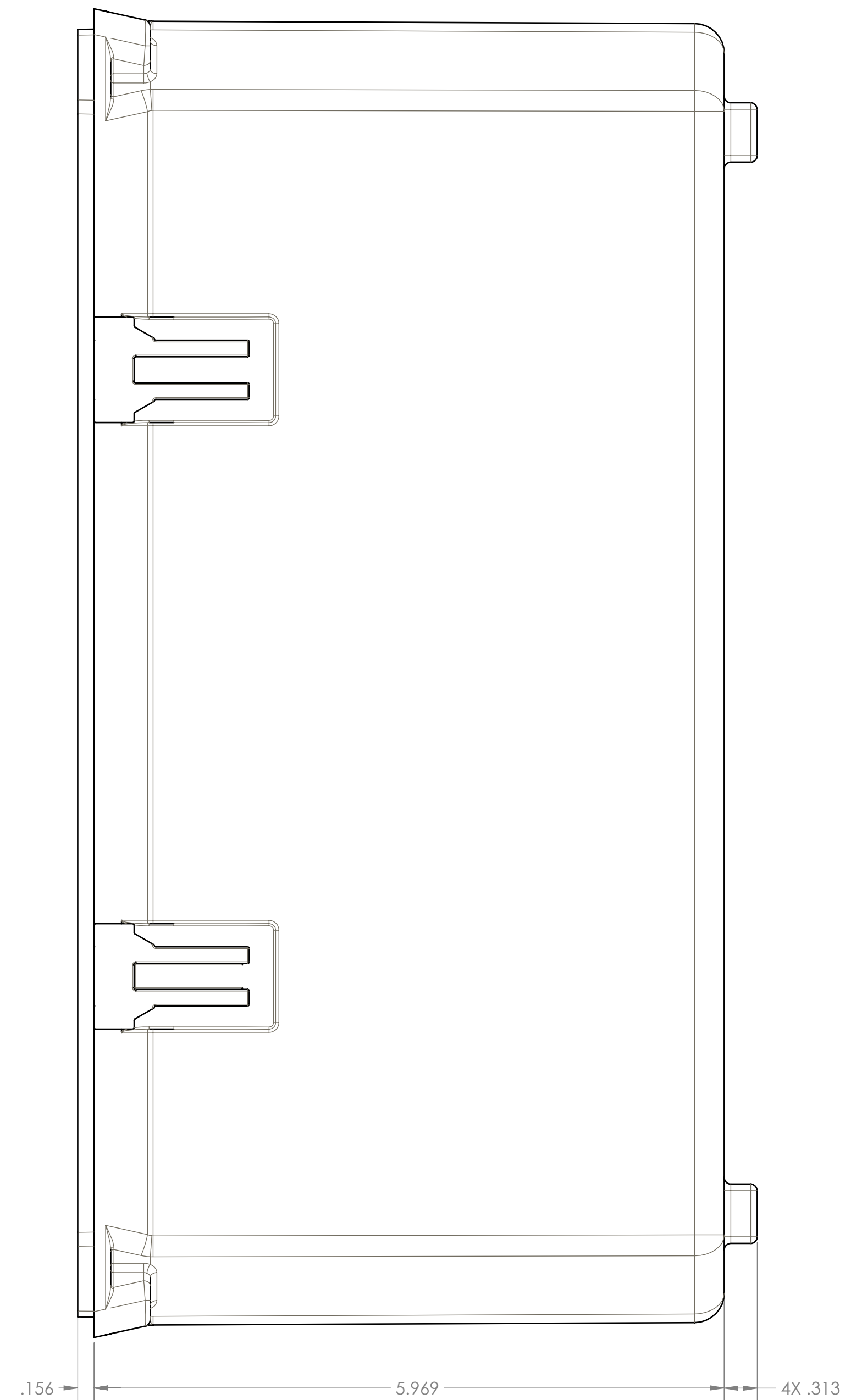
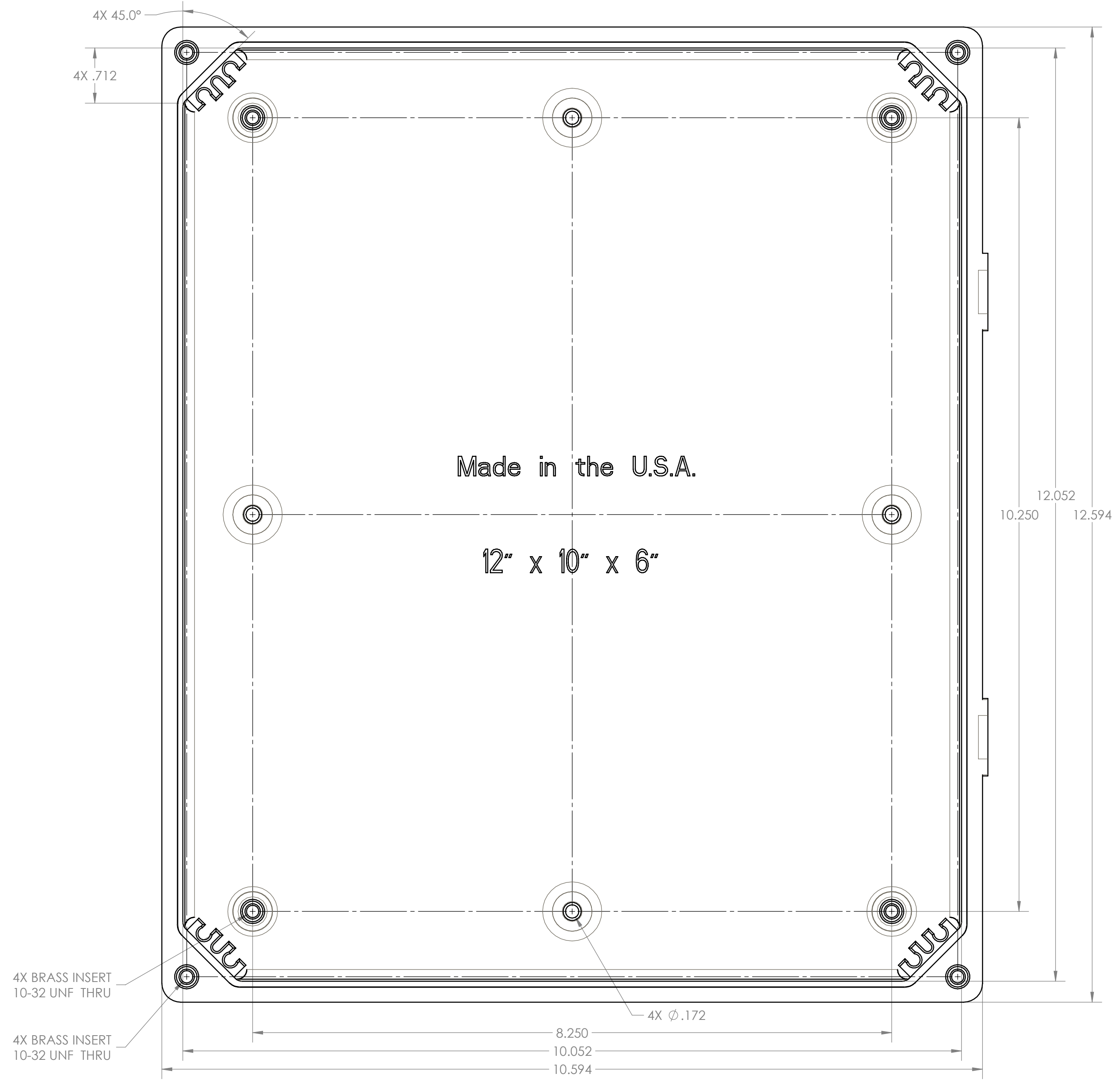
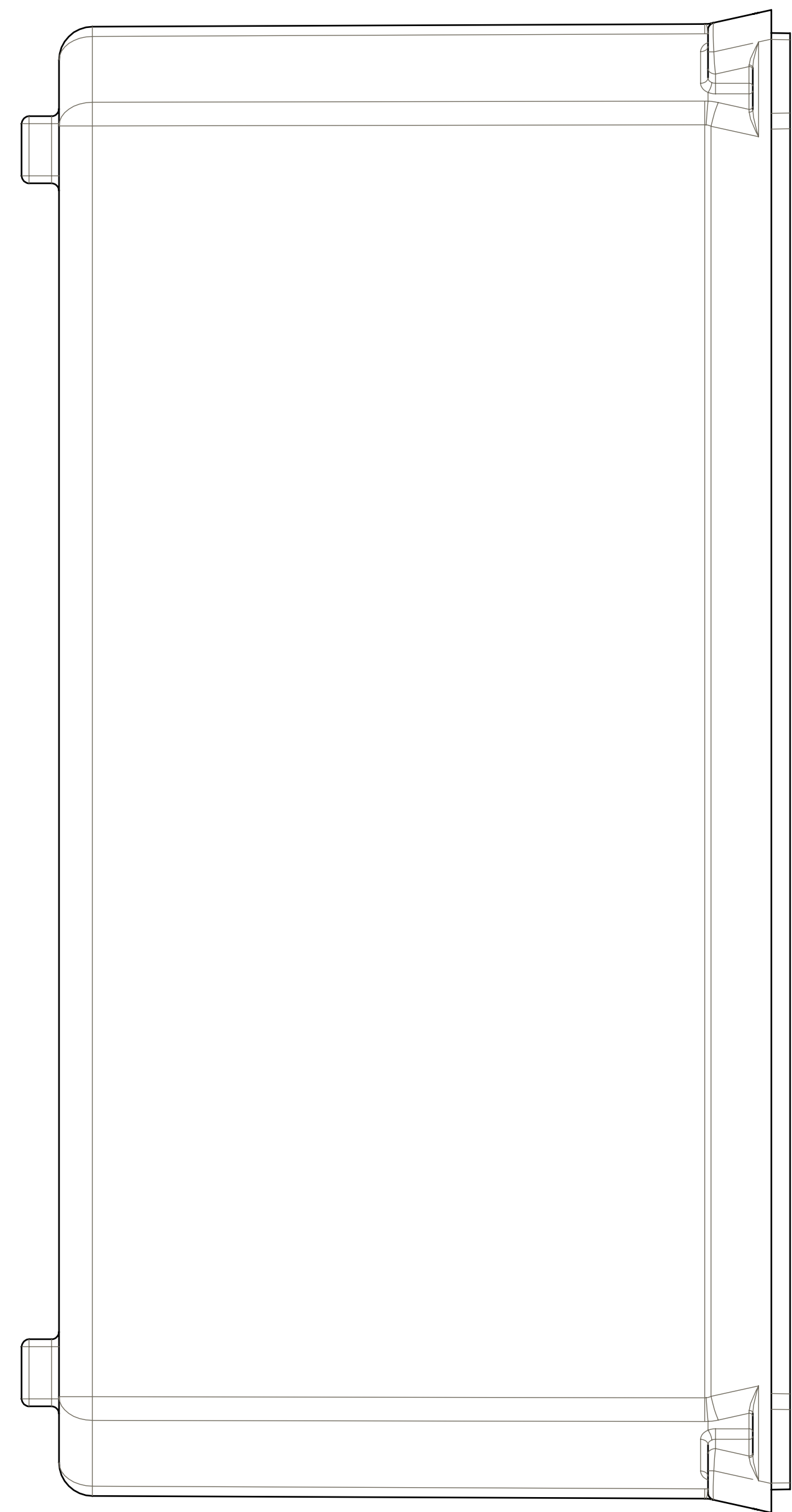
REV. DESCRIPTION ZONE BY APPRD DATE

REVISIONS

NAME DATE  
 DRAWN D.M.F. 2/5/2014  
 CHECKED B.M.B. 2/18/2014

100% CHEESE WAX HARDWAY PACK (2010-0411) 100% U.S.A.  
 P.O. BOX 288 1221 440 534 0444 FAX 406 334 0888

polycase

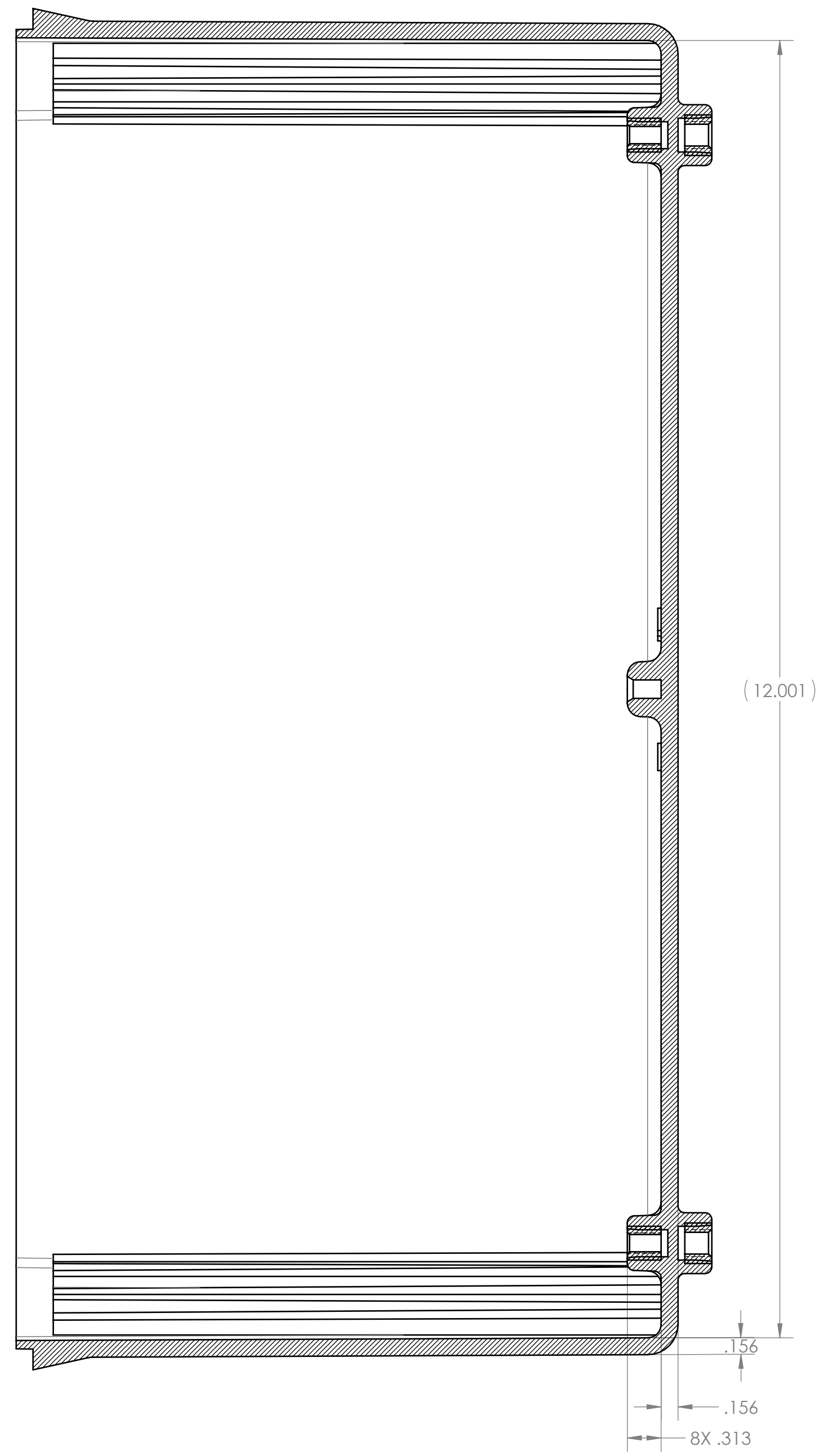


PART NUMBER: YQ-12106B-14  
 MATERIAL: PC  
 COLOR: LIGHT GRAY  
 FLAME RATING: UL94V-0

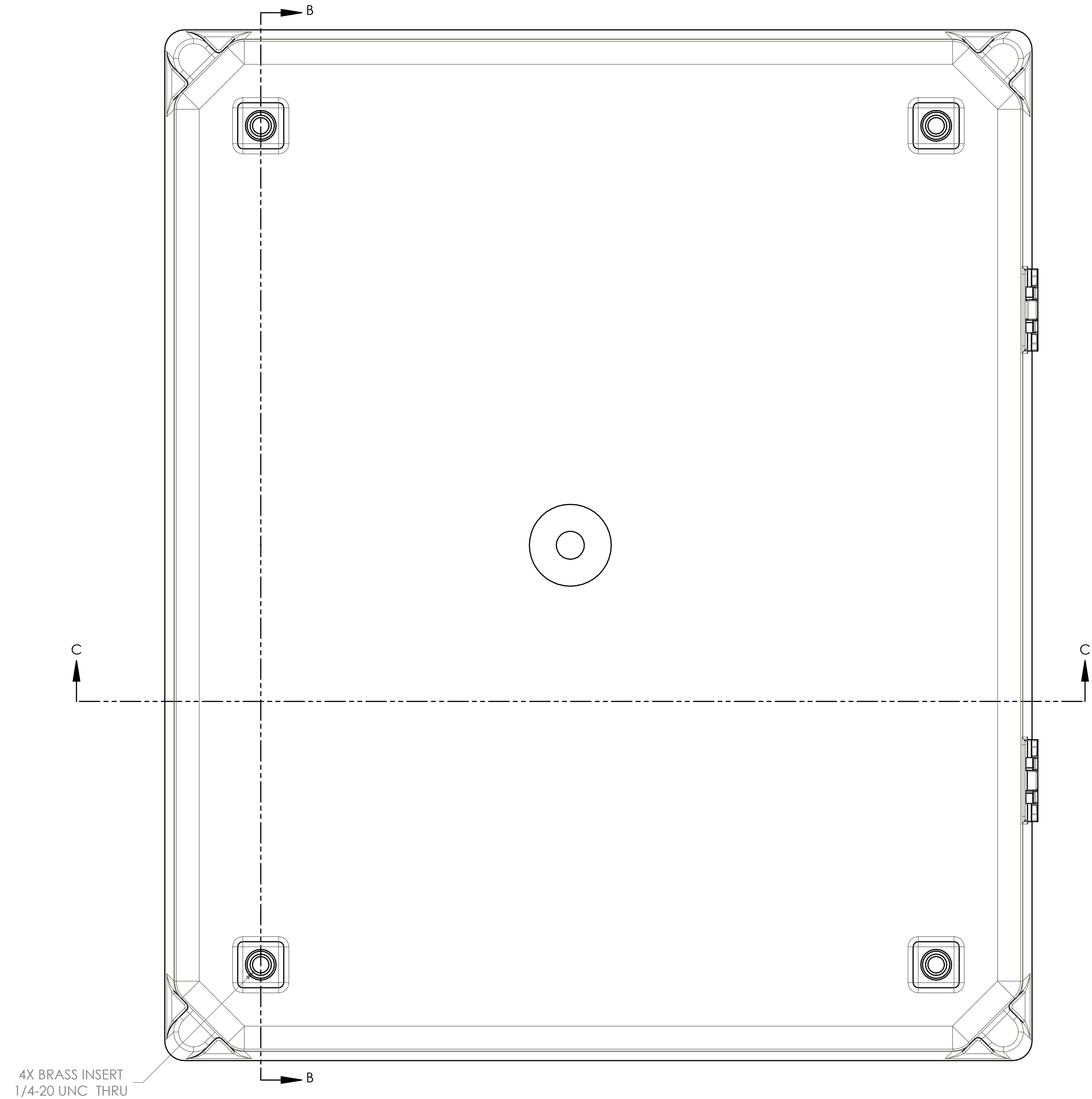
TOLERANCE CHART												
DIMENSION RANGE	0	2.756	3.543	4.724	6.299	7.874	9.843	12.402	15.748	19.685	24.803	31.496
TOLERANCE	±.015	±.017	±.020	±.024	±.028	±.035	±.043	±.051	±.063	±.079	±.098	±.118

UNLESS OTHERWISE SPECIFIED: DIMENSIONS ARE IN INCHES/ST TOLERANCES: ANGULAR: ±2° TWO PLACE DECIMAL: ±. THREE PLACE DECIMAL: ±. PRINTED GRAPHICS: 1:500 PROPRIETARY AND CONFIDENTIAL THE INFORMATION CONTAINED IN THIS DRAWING IS THE SOLE PROPERTY OF POLYCASE. ANY REPRODUCTION IN PART OR AS A WHOLE WITHOUT THE WRITTEN PERMISSION OF POLYCASE IS PROHIBITED. CAD FILE: YQ-12106B				PART NO. YQ-12106B MATERIAL PC FLAME RATING UL94V-0		NAME D.M.F. B.M.B.		DATE 2/4/2014 2/17/2014		SIZE D		SCALE: 1:1		SHEET 1 OF 2	
REV.	DESCRIPTION	ZONE	BY	APPR'D	DATE	REVISIONS									

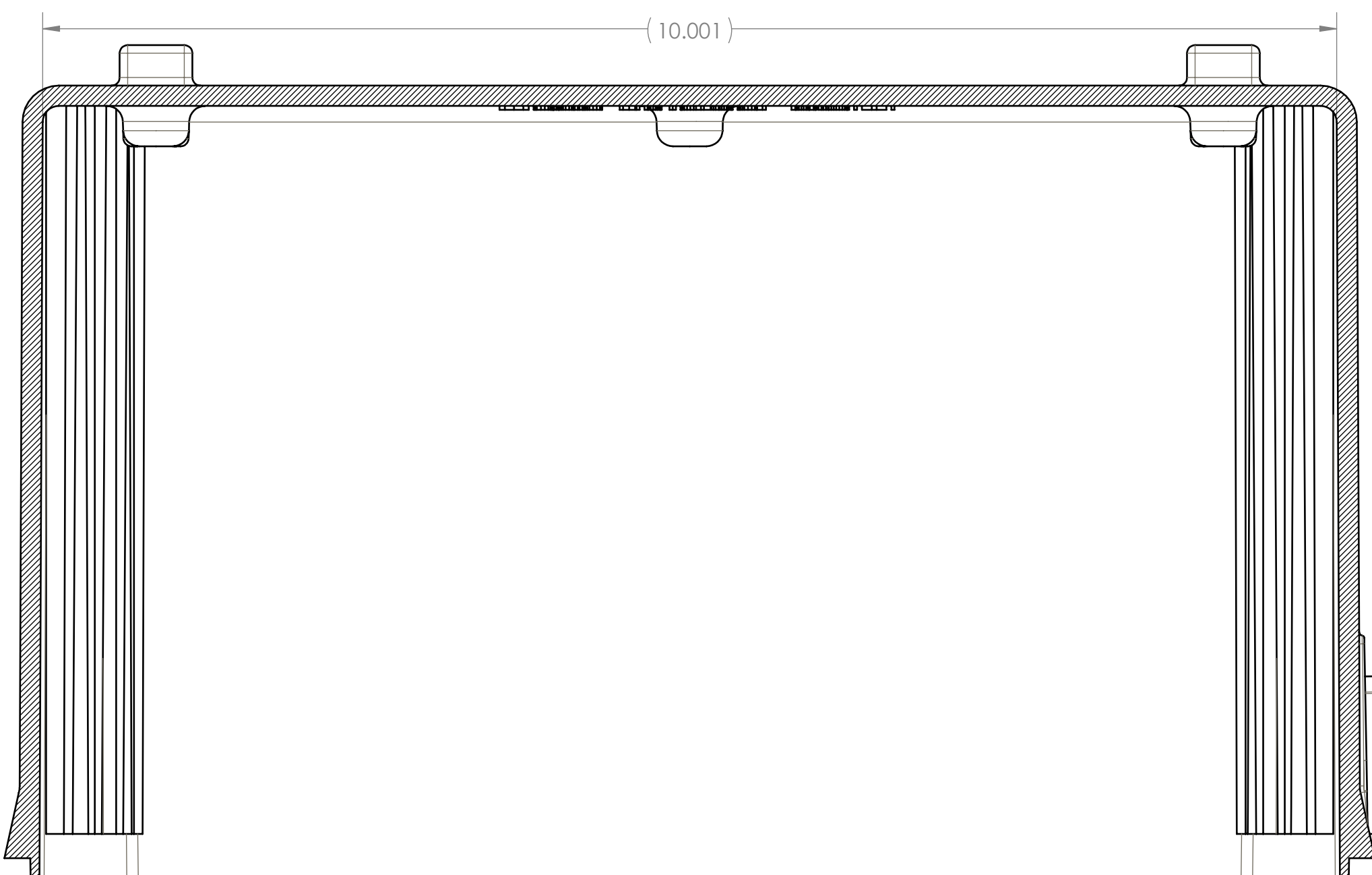
YQ-12106B



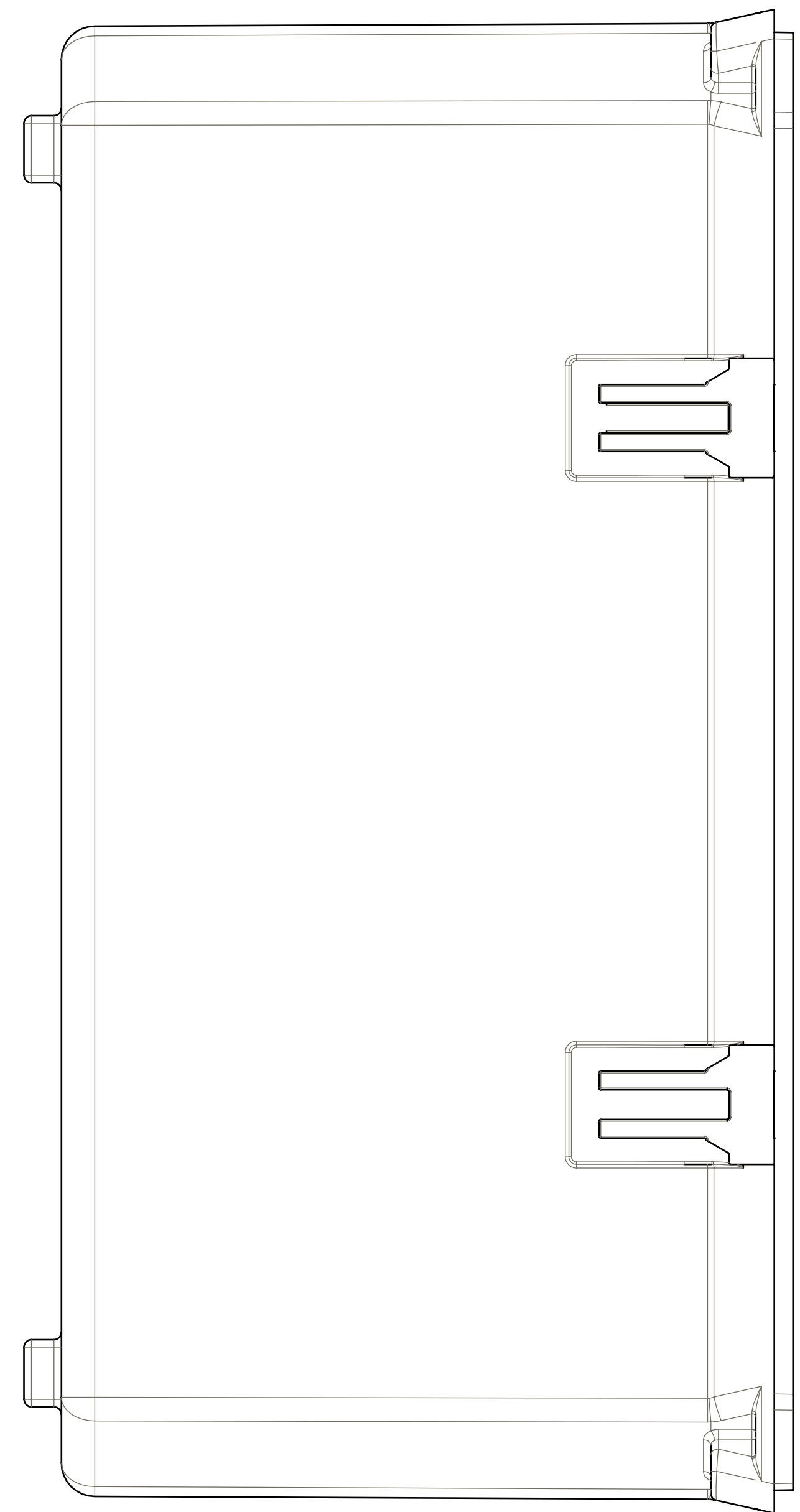
SECTION B-B



4X BRASS INSERT  
1/4-20 UNC THRU

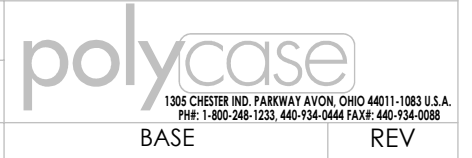


SECTION C-C

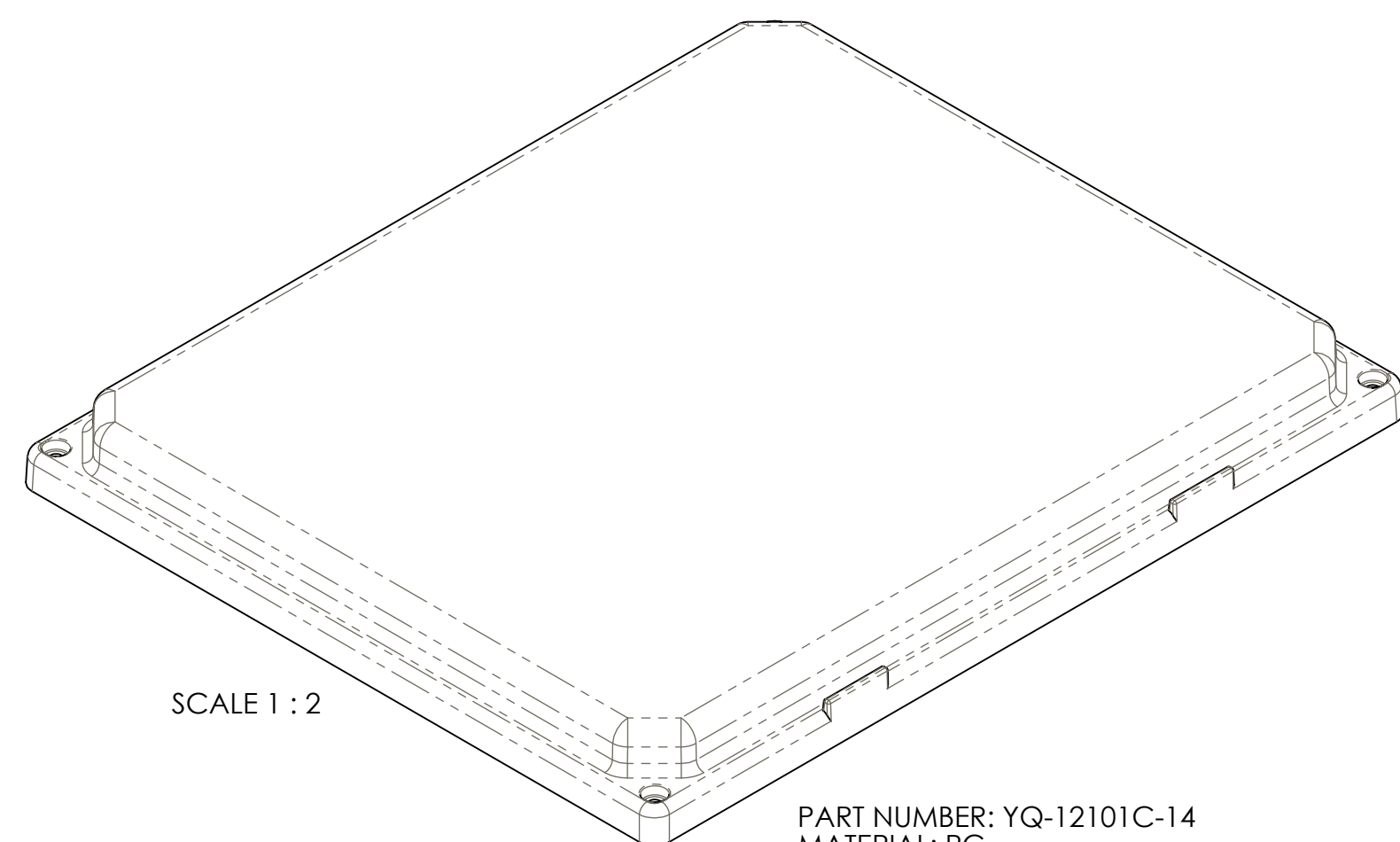
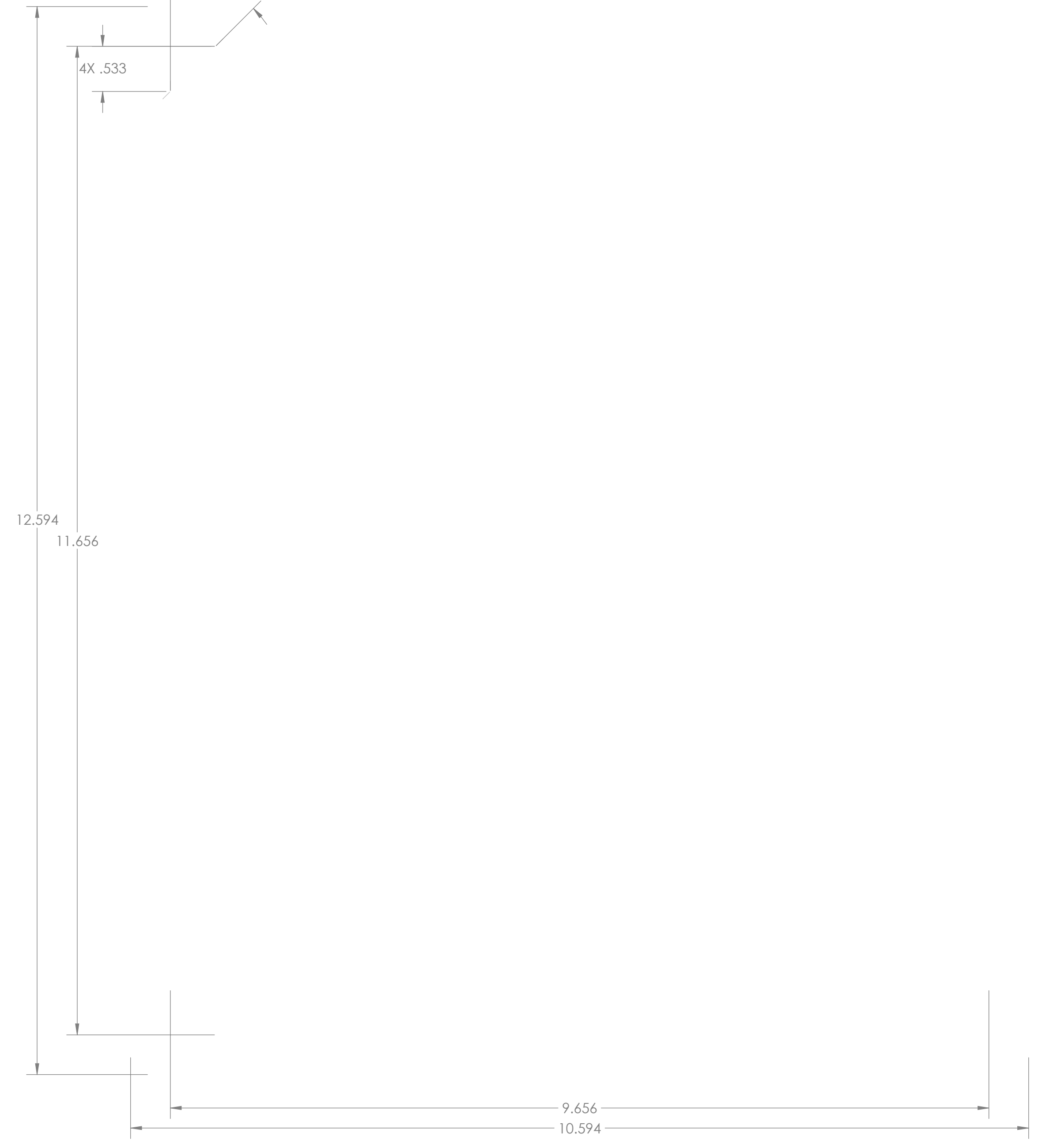
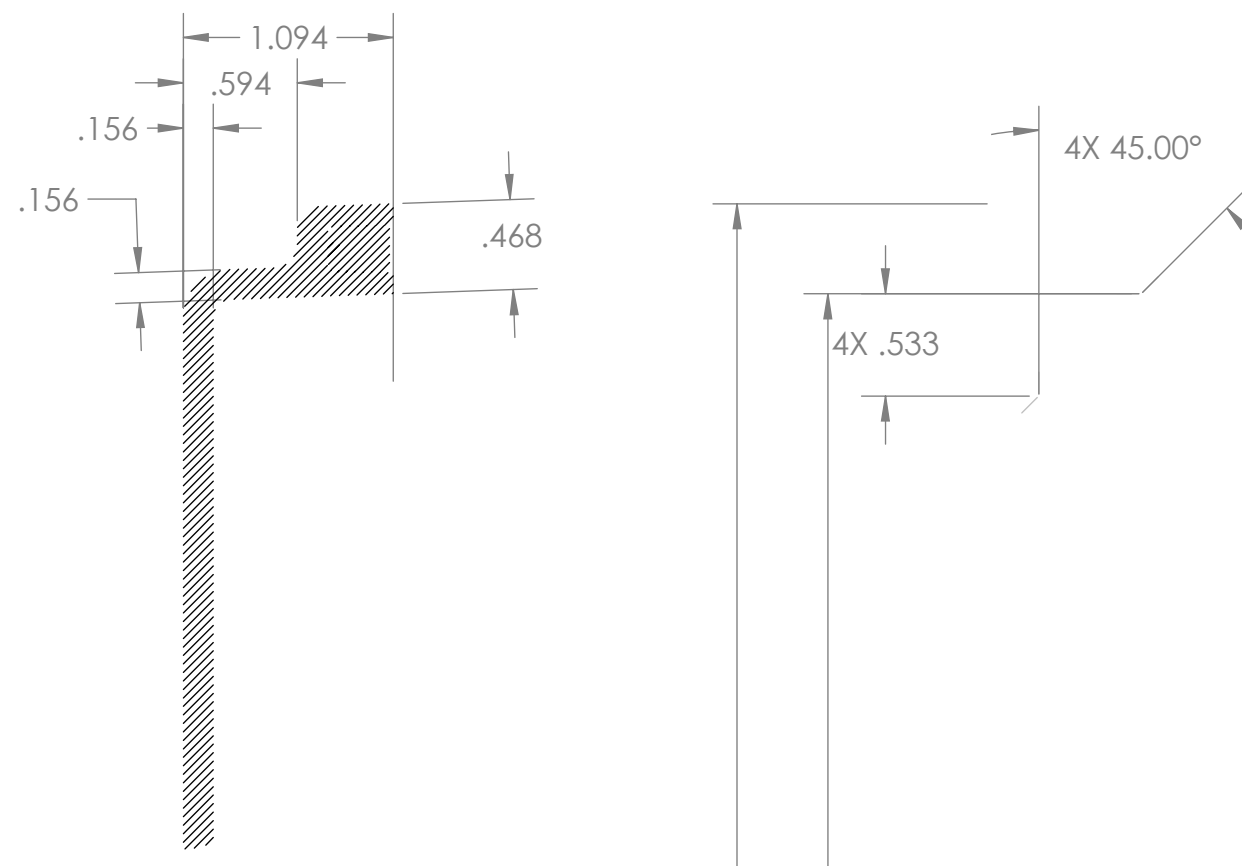
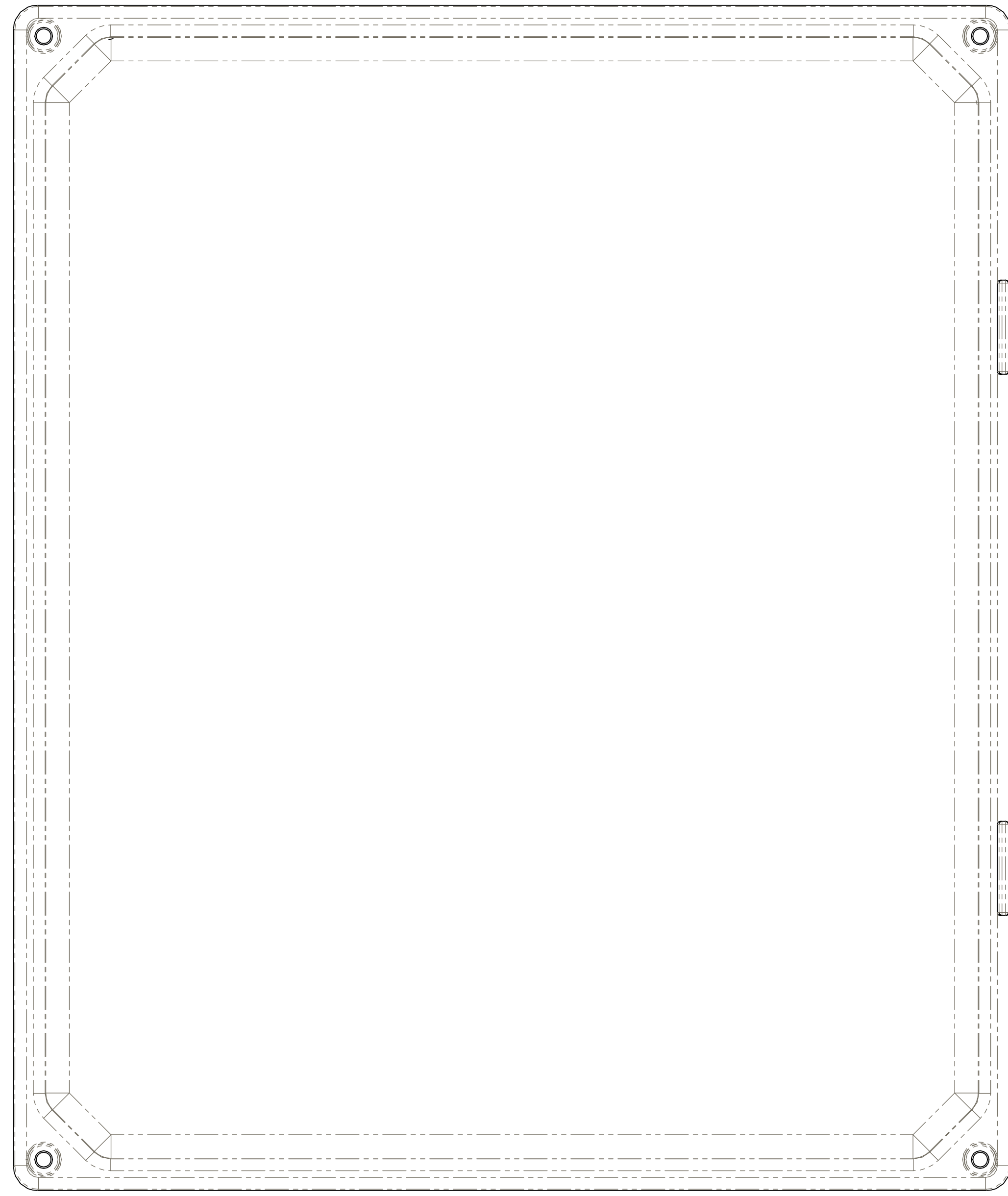


UNLESS OTHERWISE SPECIFIED: DIMENSIONS ARE IN INCHES (TYP) TOLERANCES: ANGULAR: ±2° TWO PLACE DECIMAL: ±.02 THREE PLACE DECIMAL: ±.005 PRINTED GRAPHICS: 1:10 PROPRIETARY AND CONFIDENTIAL THE INFORMATION CONTAINED IN THIS DRAWING IS THE SOLE PROPERTY OF POLYCASE. ANY REPRODUCTION IN PART OR AS A WHOLE WITHOUT THE WRITTEN PERMISSION OF POLYCASE IS PROHIBITED. CAD FILE: YQ-121068		PART NO. YQ-121068 MATERIAL PC FLAME RATING UL94V-0	NAME D.M.F. DATE 2/4/2014 CHECKED B.M.B. 2/17/2014	SIZE D	SCALE: 1:1	REV -
---	--	--	--	-----------	------------	----------

REV.	DESCRIPTION	ZONE	BY	APPR'D	DATE
	REVISIONS				

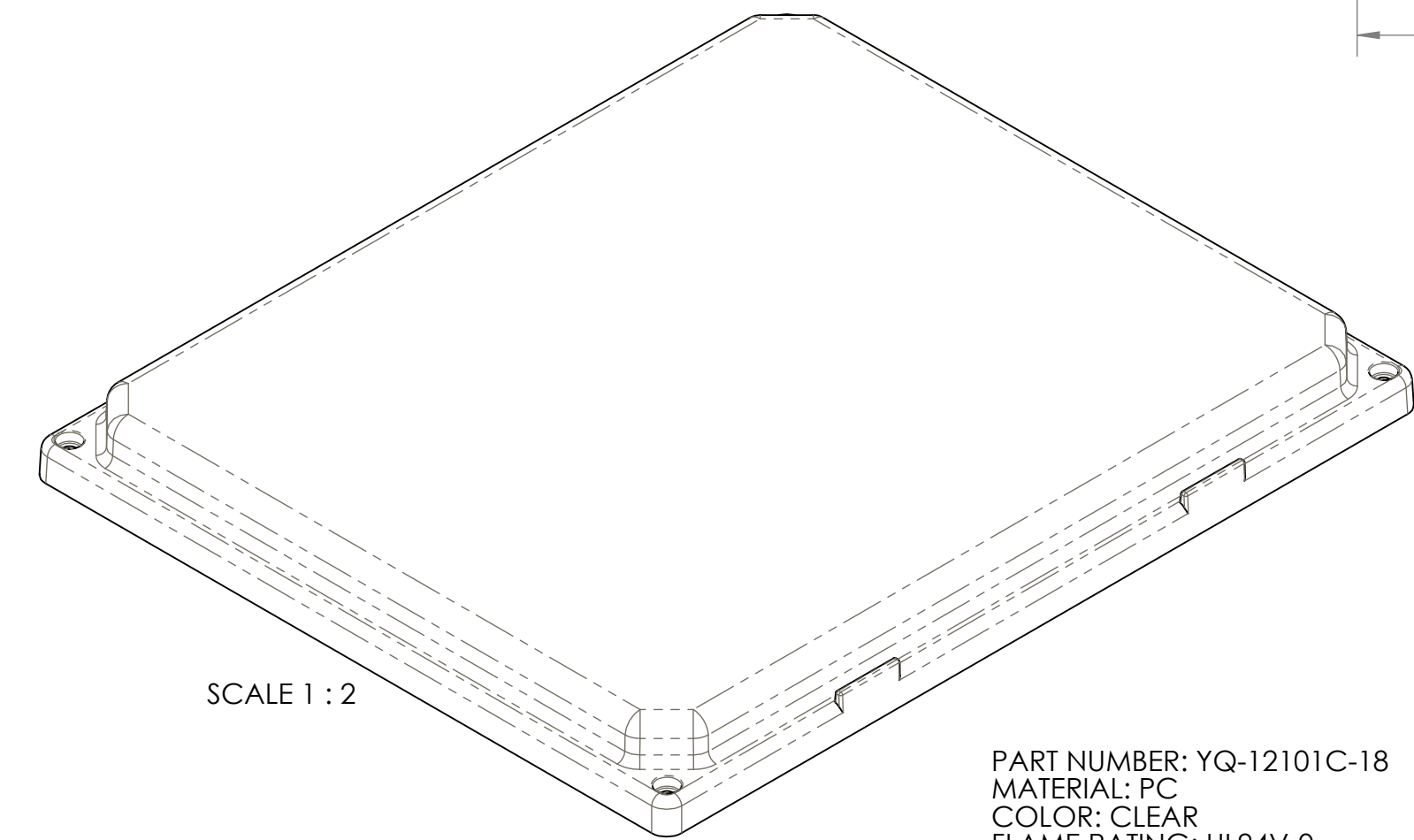


TOLERANCE CHART												
DIMENSION RANGE	0	2.756	3.543	4.724	6.299	7.874	9.843	12.402	15.748	19.685	24.803	31.496
	2.756	3.543	4.724	6.299	7.874	9.843	12.402	15.748	19.685	24.803	31.496	39.37
TOLERANCE	±.015	±.017	±.020	±.024	±.028	±.035	±.043	±.051	±.063	±.079	±.098	±.118



SCALE 1 : 2

PART NUMBER: YQ-12101C-14  
 MATERIAL: PC  
 COLOR: LIGHT GRAY  
 FLAME RATING: UL94V-0



SCALE 1 : 2

PART NUMBER: YQ-12101C-18  
 MATERIAL: PC  
 COLOR: CLEAR  
 FLAME RATING: UL94V-0

REV.	DESCRIPTION	ZONE	BY	APPR'D	DATE
REVISIONS					

UNLESS OTHERWISE SPECIFIED: DIMENSIONS ARE IN INCHES/TYPED TOLERANCES: ANGULAR: ±2° TWO PLACE DECIMAL: ± THREE PLACE DECIMAL: ± PRINTED GRAPHICS: ±.010 PROPRIETARY AND CONFIDENTIAL THE INFORMATION CONTAINED IN THIS DRAWING IS THE SOLE PROPERTY OF POLYCASE. ANY REPRODUCTION IN PART OR AS A WHOLE WITHOUT THE WRITTEN PERMISSION OF POLYCASE IS PROHIBITED. CAD FILE: YQ-12101C		PART NO. YQ-12101C MATERIAL PC FLAME RATING UL94V-0		SIZE <b>D</b>	
DRAWN D.M.F. 2/4/2014		CHECKED B.M.B. 2/17/2014		SCALE: 1:1	
polycase 1785 CHESTER ROAD, HANNAH PARK, OHIO 44111-1000 U.S.A. PH: 800-288-1222 FAX: 514-944-1434				COVER REV SHEET 1 OF 1	