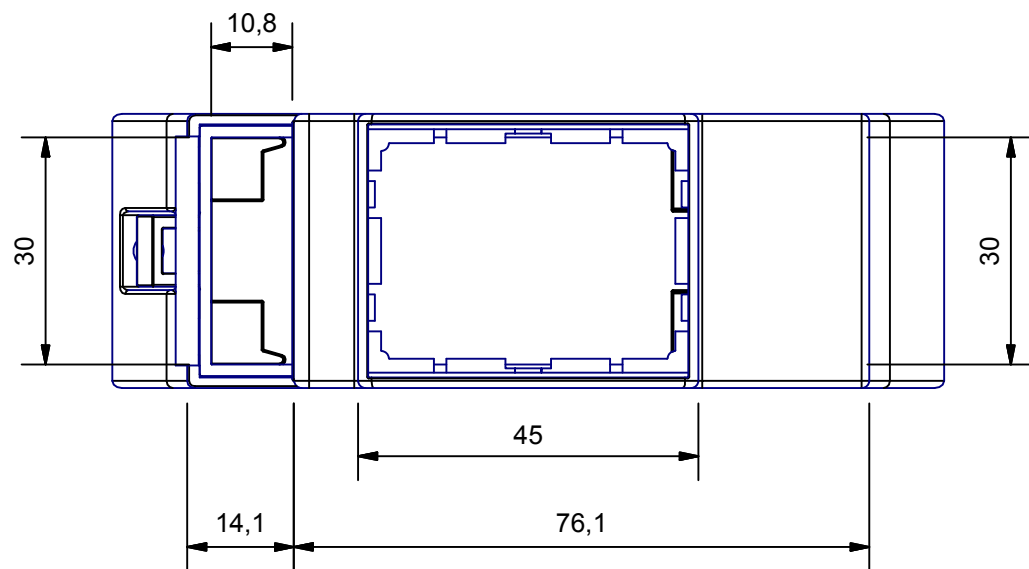
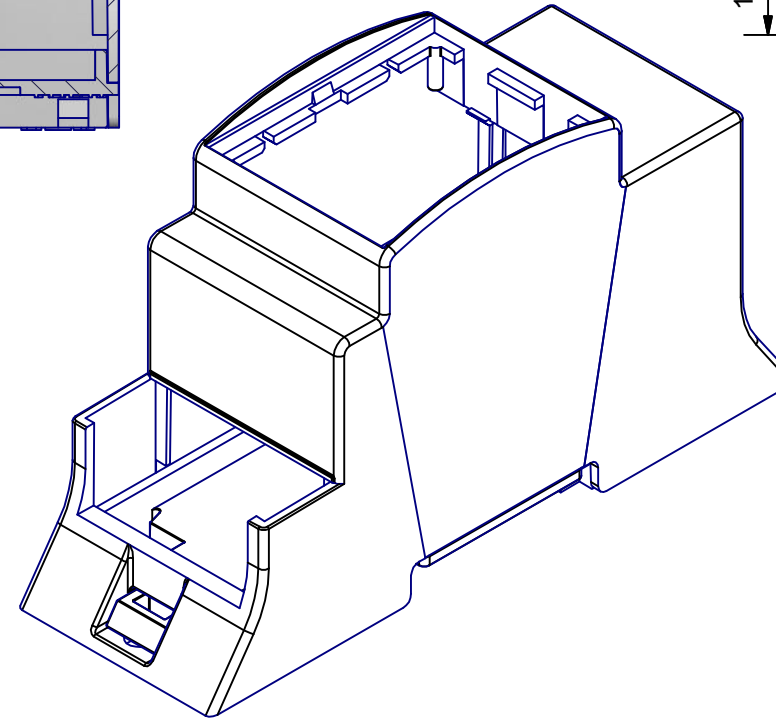
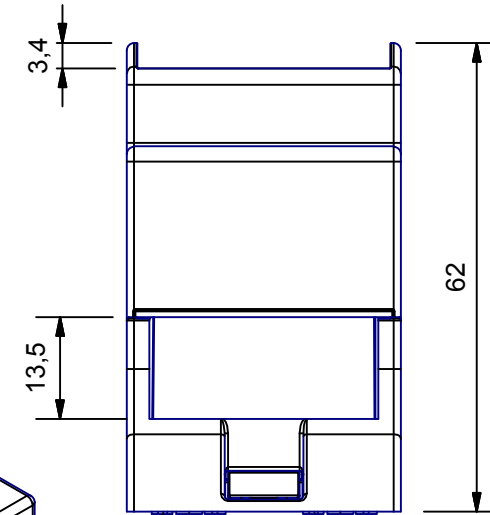
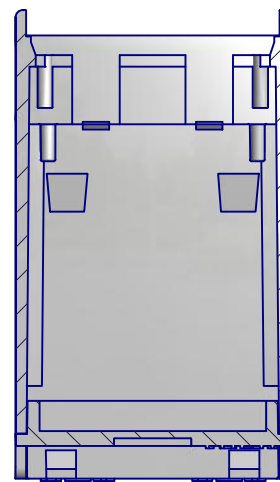


A-A (1:1)

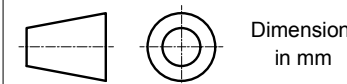


COMPONENTS LIST			
RIF.	Q.TY	DESCRIPTION	CODE
1	1	BASE 2M XT	M-01983
2	1	AGGANCIO MODULBOX - HOOK MODULBOX	M-01900
7	1	CORPO CONTENITORE 2MH53-B - BODY ENCLOSURE 2MH53-B	M-02065

Da 0,5 a 3	Oltre 3 fino a 6	Oltre 6 fino a 30	Oltre 30 fino a 120	Oltre 120
± 0,1	± 0,1	± 0,2	± 0,3	± 0,5

RESERVED PROPERTY

The present drawing cannot be reproduced or communicated to 3d parties, even partially, without the authorization of ITALTRONIC Srl. Italtronic reserves to protect its own rights according to the law.



Dimension in mm

SHEET NR.  
1 / 1

DRAWING BY  
**GAD**  
Manual modification are not allowed

GENERAL TOLERANCE  
**UNI EN 22768/1**  
**Media (m)**

Date: 28/08/2012	Replace nr.	Revision description
Drawed: Reginato M.	Checked: Dalla Montà D.	



Denomination:  
 Contenitore completo modulbox XT 2MH53-B  
 Complete enclosure modulbox XT 2MH53-B

**ITALTRONIC** S.R.L.  
 VIA AUSTRIA 25/D 35127  
 PADOVA - ITALY  
 www.italtronic.com

Drawing nr.  
**M-04053-01**

General revision and added table. 13/06/13 Rigato N.

5 4 3 2 1