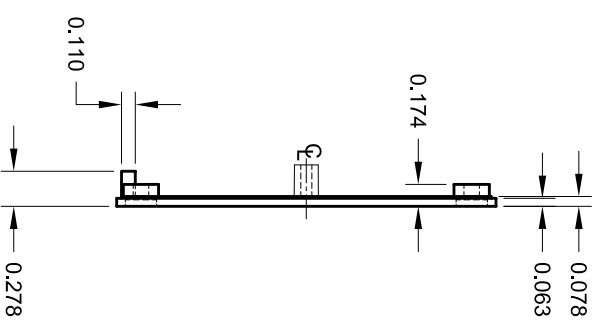
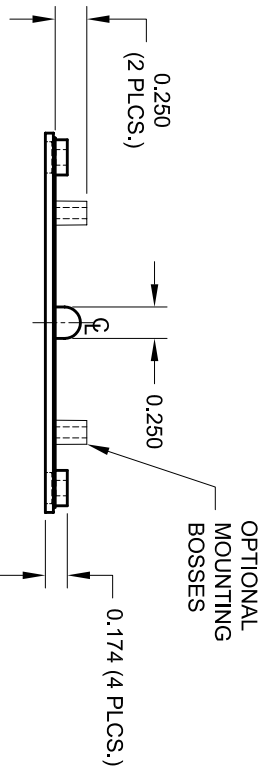
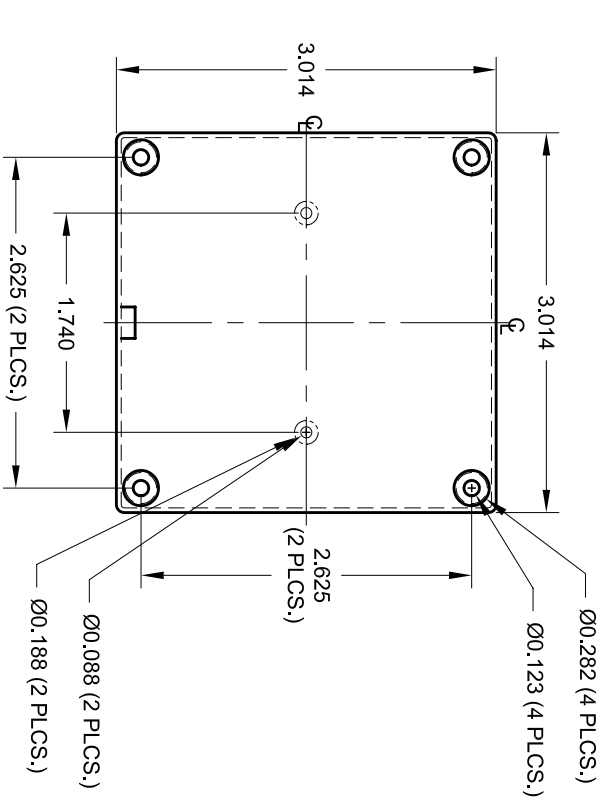


REV	DESCRIPTION	BY	CHK	DATE

		<small>1005 CHESTER RD. PARSONS AVE. OHIO 44111 USA TEL: 216-225-1234 FAX: 440-944-0088 WWW.POLYCASE.COM</small>	
YOUR PERFECT FIT		<small>THIS DRAWING AND THE INFORMATION CONTAINED HEREIN IS THE PROPERTY OF POLYCASE AND IT IS NOT TO BE REPRODUCED OR TRANSMITTED IN ANY FORM OR BY ANY MEANS, ELECTRONIC OR MECHANICAL, WITHOUT PERMISSION IN WRITING FROM POLYCASE.</small>	
BUSINESS INQUIRY 1-800-248-1234 X-XXX-4-020 X-XXX-4-010	DRAWN BY: M.M.T. APP. BY: B.B. JOB NO.: - CUSTOMER: -	SCALE: FULL DATE: 07/06/00 PRODUCT: TS-3315B	TITLE: PRODUCT DETAIL DRAWING



NOTES:
 1.) PC BOARD BOSSSES WILL ACCEPT A
 #4 X 1/4" THREAD FORMING SCREW
 (SCREWS AVAILABLE FROM POLYCASE)

REV	DESCRIPTION	BY	CHK	DATE

POLYCASE
 YOUR PERFECT FIT™

1085 CHESTER RD. PARKWAY ACON, OHIO 44011 USA
 TEL: 440.248.1233 FAX: 440.248.0088
 WWW.POLYCASE.COM

THIS DRAWING AND THE INFORMATION CONTAINED HEREIN IS THE PROPERTY OF POLYCASE AND IT IS NOT TO BE REPRODUCED OR TRANSMITTED IN ANY FORM OR BY ANY MEANS, ELECTRONIC OR MECHANICAL, WITHOUT PERMISSION IN WRITING FROM POLYCASE.

DRAWN BY	APP. BY	SCALE	DATE
M.M.T.	E.B.	FULL	07/06/00
JOB NO.:	PRODUCT:	TS-3300C	
CUSTOMER:	TITLE: PRODUCT DETAIL DRAWING		