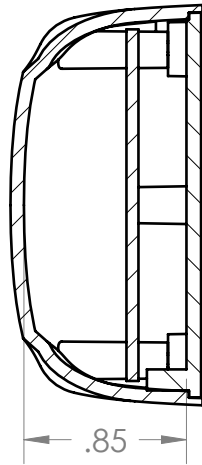
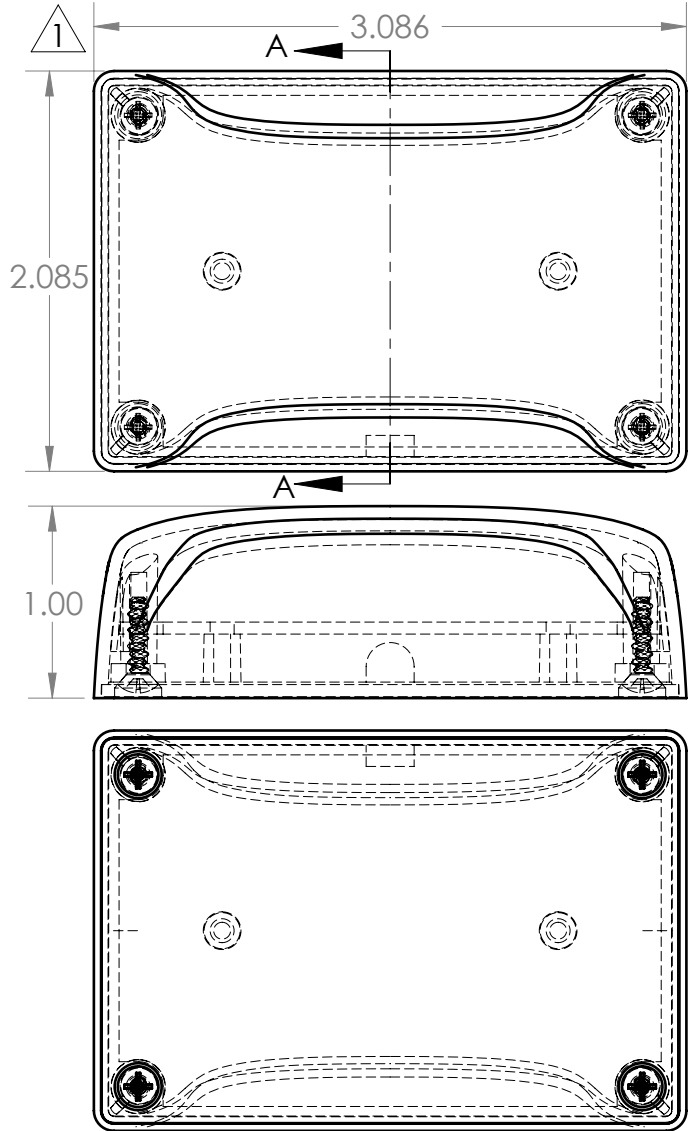


BOM Table					
ITEM NO.	PART NUMBER	DESCRIPTION	NX-2310PMB/QTY. NX-2310PXX/QTY.		
1	GS-2310BP	CASE, BLACK	1	1	
2	TS-2300C-MB	COVER, WITH MOUNTING BOSSES, BLACK	1	-	
3	TS-2300C	COVER, WITHOUT MOUNTING BOSSES, BLACK	-	1	
4	SCREWS-LP-BR	THREAD FORMING ASS'Y SCREW: .5 INCH	4	4	

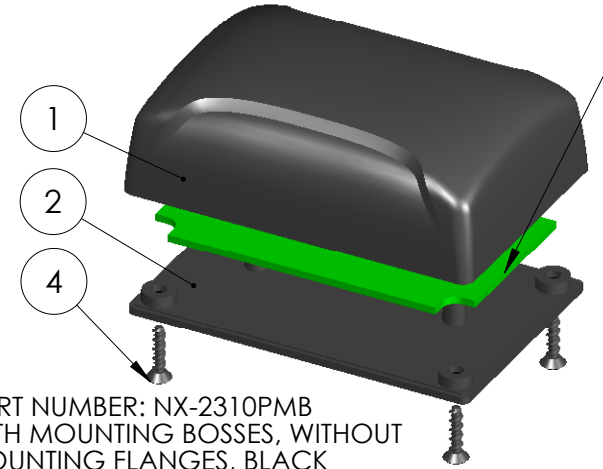


SECTION A-A

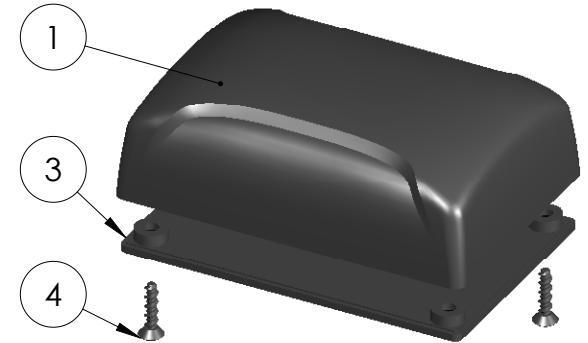
NOTES:

1. PC BOARD BOSSES WILL ACCEPT A 4-1/4 THREAD FORMING SCREW (SCREWS AVAILABLE FROM POLYCASE)
2. COVER OPTIONS: WITH OR WITHOUT MOUNTING BOSSES
3. AVAILABLE COLORS: BLACK


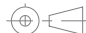
1 NX-2310PMB-PCB: RECOMMENDED PCB (REF. ONLY)



PART NUMBER: NX-2310PMB WITH MOUNTING BOSSES, WITHOUT MOUNTING FLANGES, BLACK



PART NUMBER: NX-2310PXX WITHOUT MOUNTING BOSSES, WITHOUT MOUNTING FLANGES, BLACK

UNLESS OTHERWISE SPECIFIED: DIMENSIONS ARE IN: INCHES[mm] TOLERANCES: ANGULAR: ±2° TWO PLACE DECIMAL: ±.03 THREE PLACE DECIMAL: ±.015	PART NO. NX-2310 ASSEMBLY		 <b>POLYCASE™</b> YOUR PERFECT FIT 1305 CHESTER IND. PARKWAY AVON, OHIO 44011-1083 U.S.A. PH#: 1-800-248-1233, 440-934-0444 FAX#: 440-934-0088					
	PRODUCT -							
PROPRIETARY AND CONFIDENTIAL THE INFORMATION CONTAINED IN THIS DRAWING IS THE SOLE PROPERTY OF POLYCASE. ANY REPRODUCTION IN PART OR AS A WHOLE WITHOUT THE WRITTEN PERMISSION OF POLYCASE IS PROHIBITED. CAD FILE: NX-2310 ASSEMBLY	CLIENT -		SIZE <b>A</b>					
	NAME D.M.F.	DATE 1/15/2009	TITLE: Product Detail Drawing					
REV.	DESCRIPTION	ZONE	BY	APPR'D	DATE	SCALE: 1:1		SHEET 1 OF 1

REV.	DESCRIPTION	ZONE	BY	APPR'D	DATE
1	ADDED NX-2310PMB-PCB RECOM'D PCB 3.086 WAS 3.081 2.085 WAS 2.080	D1 D5 C5	D.M.F.	B.M.B.	3/11/2009

REVISIONS

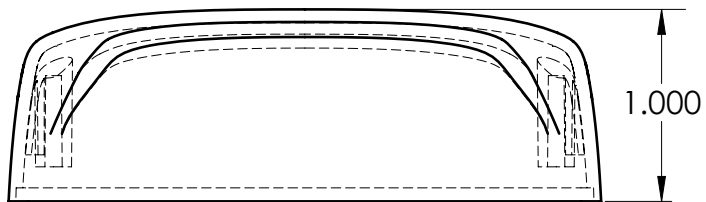
5

4

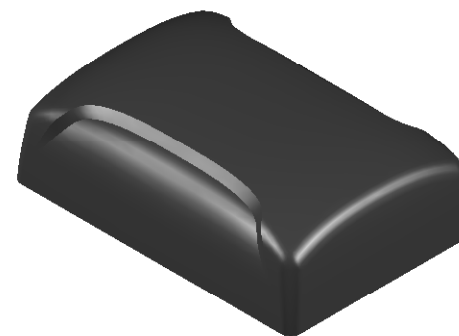
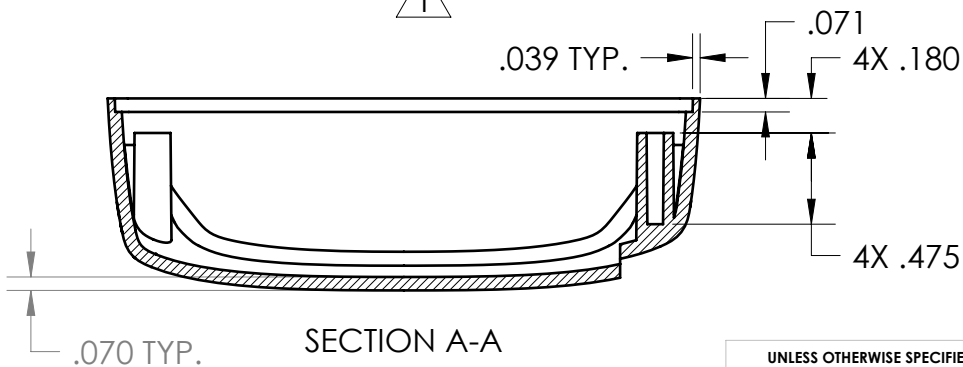
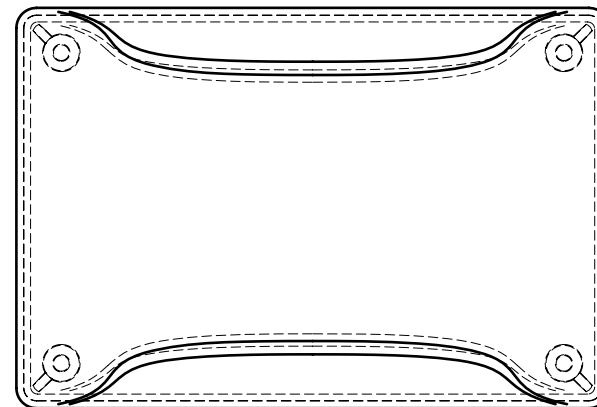
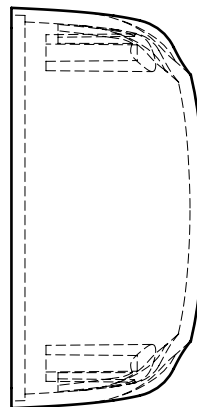
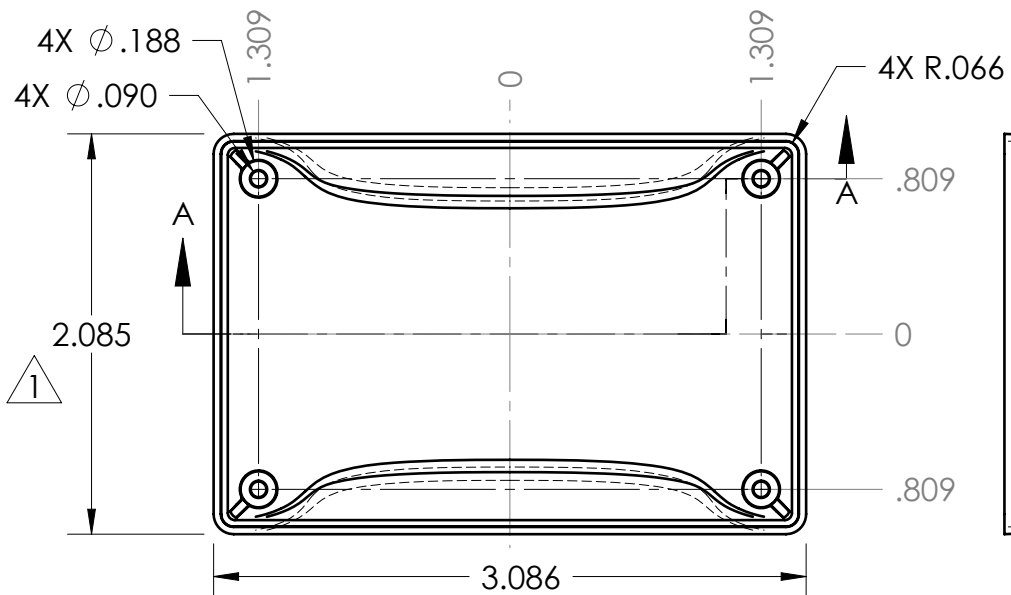
3

2

1



NOTES:  
1.



UNLESS OTHERWISE SPECIFIED: DIMENSIONS ARE IN: INCHES [mm]		
TOLERANCES: ANGULAR: ±2°		
TWO PLACE DECIMAL: ±.010		
THREE PLACE DECIMAL: ±.005		
PROPRIETARY AND CONFIDENTIAL THE INFORMATION CONTAINED IN THIS DRAWING IS THE SOLE PROPERTY OF POLYCASE. ANY REPRODUCTION IN PART OR AS A WHOLE WITHOUT THE WRITTEN PERMISSION OF POLYCASE IS PROHIBITED.		
CAD FILE: GS-2310B		

PART NO. GS-2310BP		
PRODUCT -		
CLIENT -		
DRAWN	NAME	DATE
CHECKED	B.M.B.	1/20/2009

**POLYCASE™**  
YOUR PERFECT FIT  
1305 CHESTER IND. PARKWAY AVON, OHIO 44011-1083 U.S.A.  
PH#: 1-800-248-1233, 440-934-0444 FAX#: 440-934-0088

SIZE <b>A</b>	TITLE: Product Detail Drawing	REV <b>1</b>
SCALE: 1:1		SHEET 1 OF 1

REV.	DESCRIPTION	ZONE	BY	APPR'D	DATE
1	3.086 WAS 3.081 2.085 WAS 2.080	B4 C5	D.M.F.		3/23/2009

REVISIONS

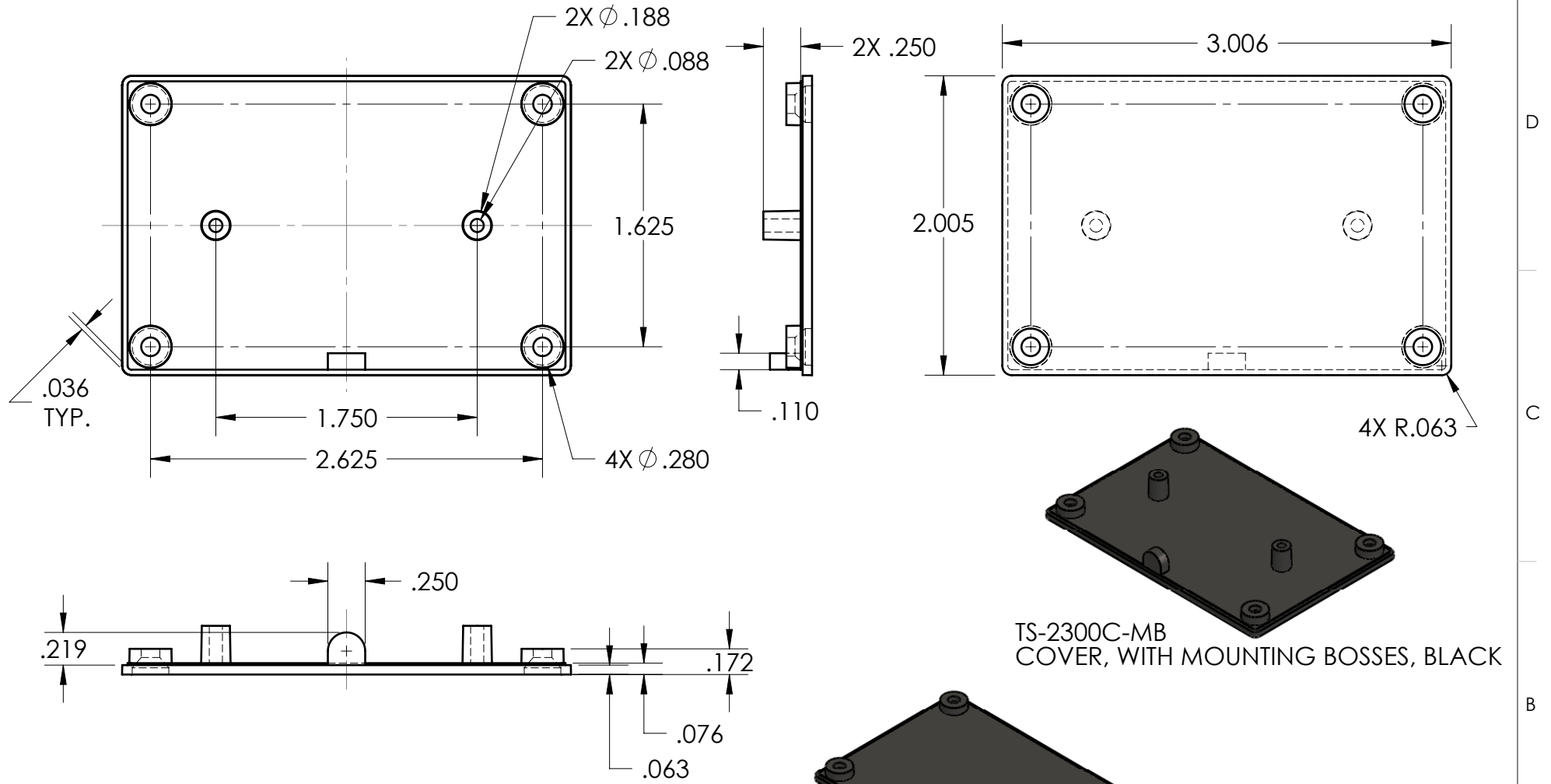
5

4

3

2

1



TS-2300C-MB  
COVER, WITH MOUNTING BOSSES, BLACK

TS-2300C  
COVER, WITHOUT MOUNTING BOSSES, BLACK

- NOTES:  
1. PC BOARD BOSSES WILL ACCEPT A 4-1/4 THREAD FORMING SCREW (SCREWS AVAILABLE FROM POLYCASE)

UNLESS OTHERWISE SPECIFIED:  
DIMENSIONS ARE IN: INCHES [mm]  
TOLERANCES: ANGULAR:  $\pm 2^\circ$   
TWO PLACE DECIMAL:  $\pm .03$   
THREE PLACE DECIMAL:  $\pm .015$   
PRINTED GRAPHICS:  $\pm .010$

PROPRIETARY AND CONFIDENTIAL  
THE INFORMATION CONTAINED IN THIS  
DRAWING IS THE SOLE PROPERTY OF  
POLYCASE. ANY REPRODUCTION IN PART  
OR AS A WHOLE WITHOUT THE WRITTEN  
PERMISSION OF POLYCASE IS PROHIBITED.  
CAD FILE: TS-2300C

PART NO.  
TS-2300C  
PRODUCT

CLIENT

DRAWN	NAME	DATE
CHECKED	D.M.F.	3/23/2009
	B.M.B.	3/24/2009

**POLYCASE**™  
YOUR PERFECT FIT  
1305 CHESTER IND. PARKWAY AVON, OHIO 44011-1083 U.S.A.  
PH#: 1-800-248-1233, 440-934-0444 FAX#: 440-934-0088

SIZE  
**A**

TITLE:  
Product Detail Drawing

REV  
-

SCALE: 1:1



SHEET 1 OF 1

ZONE	REV.	DESCRIPTION	BY	APPR'D	DATE
		REVISIONS			

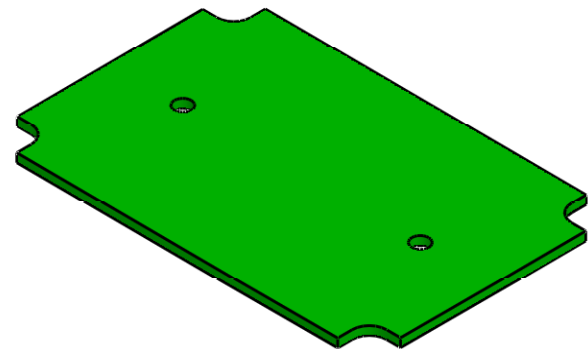
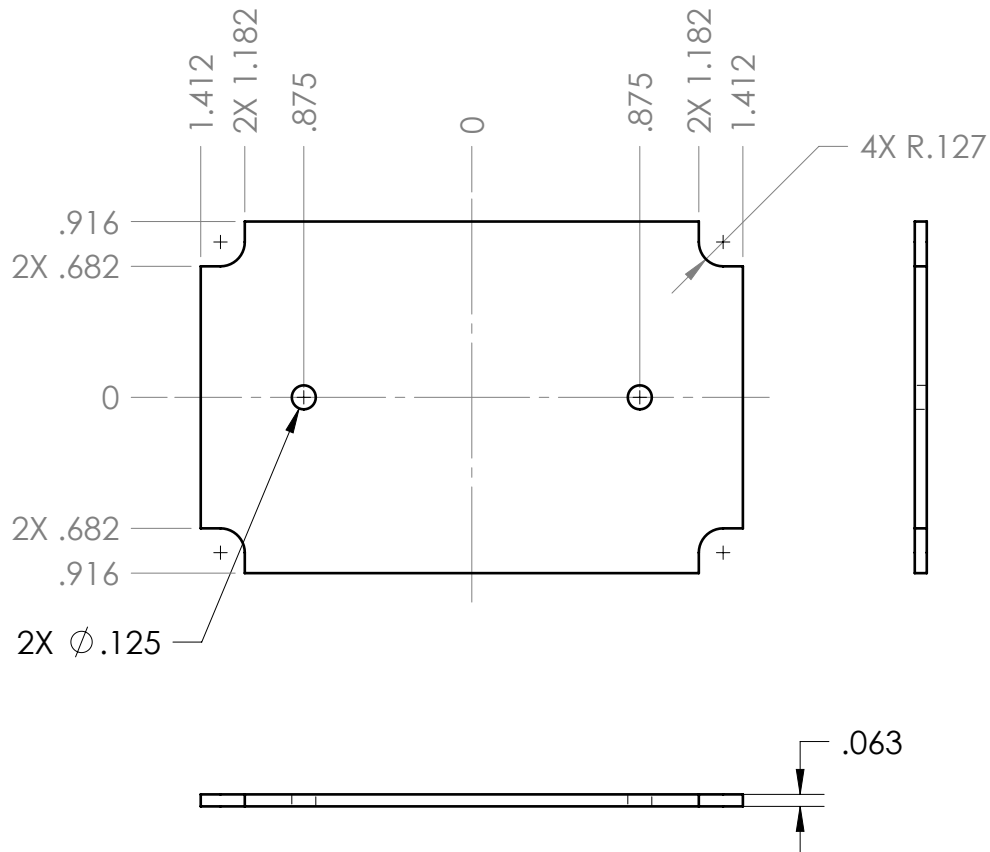
5

4

3


2

1



NOTES:

1. INCLUDES .031 CLEARANCE BETWEEN INSIDE WALLS AND SCREW TOWERS.

UNLESS OTHERWISE SPECIFIED: DIMENSIONS ARE IN: INCHES[mm] TOLERANCES: ANGULAR: ±2° TWO PLACE DECIMAL: ±.010 THREE PLACE DECIMAL: ±.005 PRINTED GRAPHICS: ±.010			PART NO. NX-2310PMB-PCB		 <b>POLYCASE™</b> <b>YOUR PERFECT FIT</b> 1305 CHESTER IND. PARKWAY AVON, OHIO 44011-1083 U.S.A. PH#: 1-800-248-1233, 440-934-0444 FAX#: 440-934-0088
PROPRIETARY AND CONFIDENTIAL THE INFORMATION CONTAINED IN THIS DRAWING IS THE SOLE PROPERTY OF POLYCASE. ANY REPRODUCTION IN PART OR AS A WHOLE WITHOUT THE WRITTEN PERMISSION OF POLYCASE IS PROHIBITED. CAD FILE: NX-2310PMB-PCB			PRODUCT -		
CLIENT -			SIZE <b>A</b>	TITLE: PCB Drawing	
DRAWN D.M.F. 3/12/2009			DATE 3/24/2009	REV -	
CHECKED B.M.B.			SCALE: 1:1	SHEET 1 OF 1	

ZONE	REV.	DESCRIPTION	BY	APPR'D	DATE
REVISIONS					

5

4

3

2

1