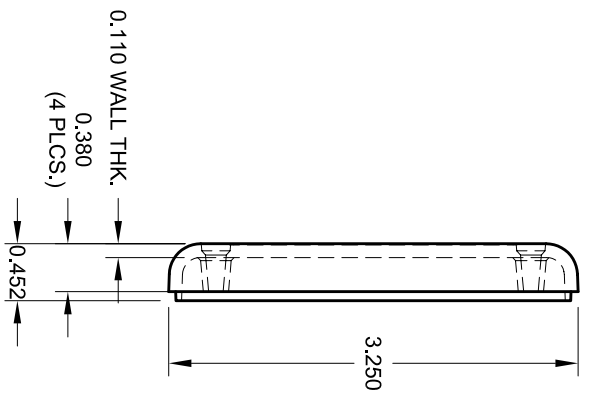
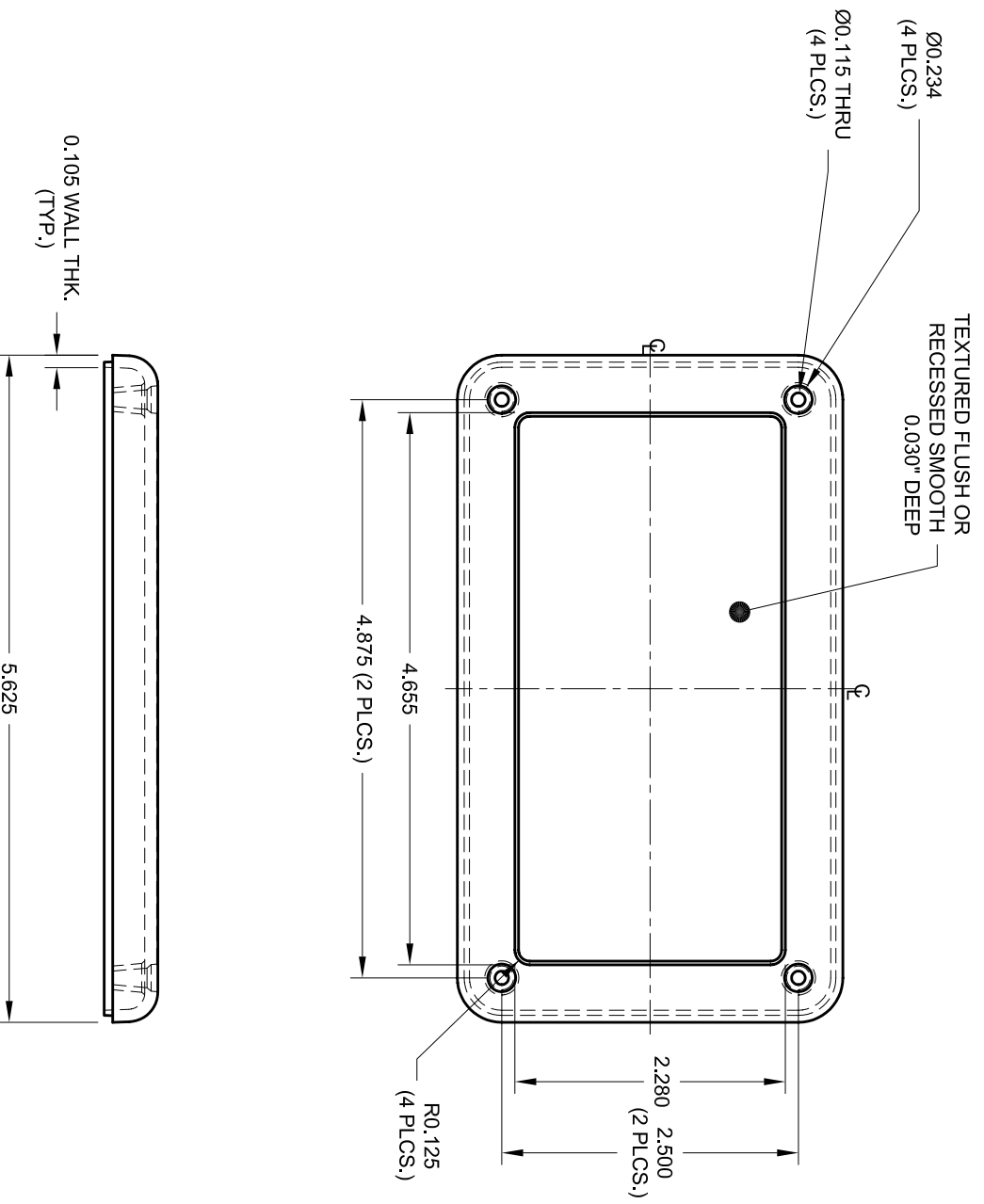


NOTES:
 1) PC BOARD BOSSES WILL ACCEPT A #4 X 1/4" THREAD FORMING SCREW (SCREWS AVAILABLE FROM POLYCASE)

REV	DESCRIPTION	BY	CHK	DATE

POLYCASE YOUR PERFECT FIT <small>1085 CHESTER RD. PARKWAY ACON, OHIO 44011 USA TEL: 440.248.1233 FAX: 440.248.0088 WWW.POLYCASE.COM</small>	DRAWN BY: B.B. APP. BY: N.H. JOB NO.: - CUSTOMER: - TITLE: PRODUCT DETAIL DRAWING	SCALE: FULL DATE: 07/05/00 PRODUCT: SL-538
--	---	--



REV	DESCRIPTION	BY	CHK	DATE

POLYCASE™
 YOUR PERFECT FIT
 POLYCASE BUSINESS
 100 CHESTER RD. PARKWAY ACON, OHIO 44011 USA
 TEL: 440.248.1233 FAX: 440.248.0088
 WWW.POLYCASE.COM
 THIS DRAWING AND THE INFORMATION CONTAINED HEREIN IS THE PROPERTY OF POLYCASE AND IT IS NOT TO BE REPRODUCED OR TRANSMITTED IN ANY FORM OR BY ANY MEANS, ELECTRONIC OR MECHANICAL, INCLUDING PHOTOCOPYING, RECORDING, OR BY ANY INFORMATION STORAGE AND RETRIEVAL SYSTEM, WITHOUT THE EXPRESS WRITTEN PERMISSION OF POLYCASE.

DRAWN BY	APP. BY	SCALE	DATE
B.B.	N.H.	FULL	7/5/01
JOB NO.:	PRODUCT:		
-	SI-53C		
TITLE: PRODUCT DETAIL DRAWING			